



**SERVICE MANUAL  
MANUALE DI SERVIZIO**

# **ACM 25**

**Home ice cuber**

**Fabbricatore di  
ghiaccio a cubetti  
domestico**

<b>TABLE OF CONTENTS</b>	<b>PAGE</b>	<b>INDICE</b>	<b>PAGINA</b>
TO THE USER	3	PER L'UTILIZZATORE	20
USER'S INFORMATIONS		INFORMAZIONI PER L'UTILIZZATORE	
- INTRODUCTION	4	- INTRODUZIONE	21
DESCRIPTION		DESCRIZIONE	
• Sealed Refrigeration System	4	• Sistema refrigerante	21
• Self contained Storage Bin	4	• Contenitore del ghiaccio	21
• Removable water reservoir	4	• Bacinella dell'acqua amovibile	21
SPECIFICATIONS	5	SPECIFICHE TECNICHE	22
OPERATIONS BEFORE UNIT START-UP	6	OPERAZIONI DA EFFETTUARE PRIMA DELL'AVVIAMENTO	23
OPERATING INSTRUCTIONS		ISTRUZIONI DI FUNZIONAMENTO	
• Start-up	6	• Avviamento	23
• Cleaning and Care	8	• Pulizia e manutenzione	25
PRINCIPLE OF OPERATIONS		PRINCIPIO DI FUNZIONAMENTO	
• Freezing cycle	10	• Ciclo di congelamento	27
• Harvest cycle	10	• Ciclo di sbrinamento	27
SERVICEMAN'S INFORMATIONS		INFORMAZIONI TECNICHE	
- GENERAL	11	- PREMESSA	28
• Service Diagnosis	11	• Servizio analisi	28
• Wiring Diagram	13	• Schema elettrico	30
• Adjustment & Removal & Replacement Procedure	14	• Procedure per la rimozione e la sostituzione dei vari componenti	31
PARTS ILLUSTRATIONS AND PARTS LIST ACCESSORIES	15	ILLUSTRAZIONI ED ELENCHI DELLE PARTI DI RICAMBIO ED ACCESSORI	32
COMPRESSOR AND ELECTRIC COMPONENTS CHART	19	COMPONENTI DEL COMPRESSORE ED ELETTRICI	36

## TO THE USER

Your SCOTSMAN model ACM 25 Ice Maker is a product carefully engineered and quality constructed to provide you with many years of faithful performance and a minimum of maintenance costs.

Produced by the world's leading manufacturer of automatic ice making equipments, your SCOTSMAN ICE CUBE MAKER incorporates the same reliable systems already proven over years of actual operation by thousands of users. Many of you will have an opportunity to see and use clear, slow melting SCOTSMAN CUBERS for the first time.

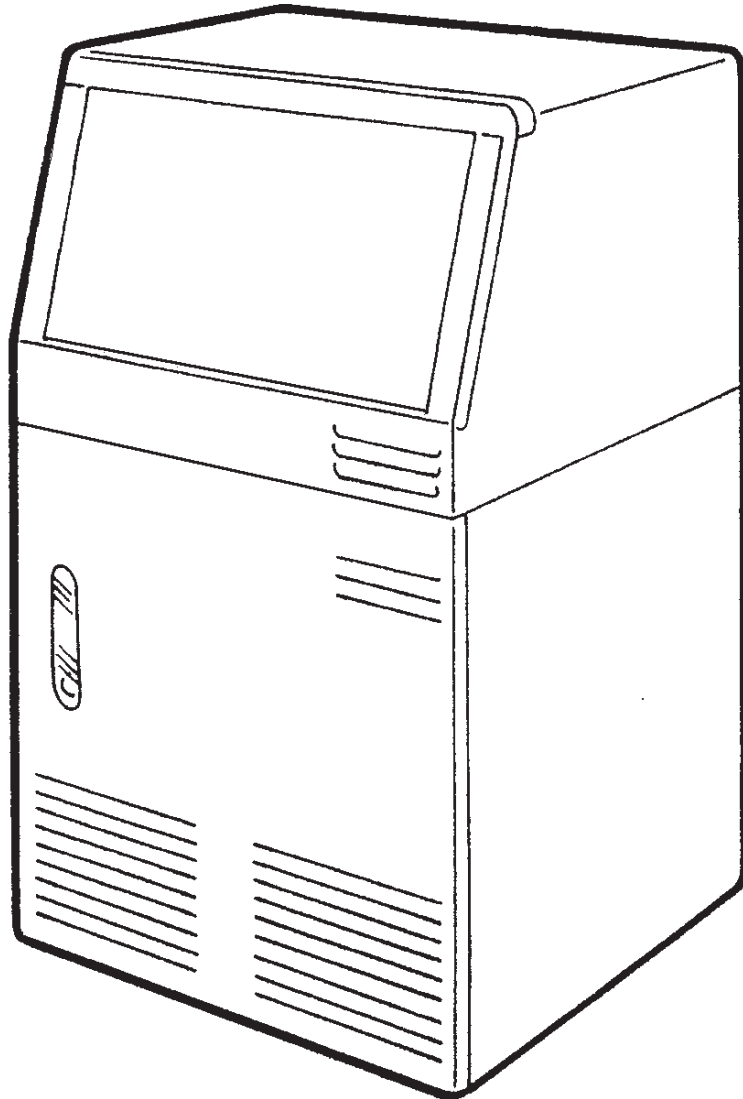
You will quickly compare the clear, glass-like quality of your Scotsman Cubes to the type produced by your home refrigerator, freezer.

By comparison, cubes made in trays in your refrigerator are very white or cloudy, they also melt faster than clear ice.

Take the time now to review this manual and you will see why Scotsman Cubes are solid and clearer than ice cubes of your refrigerator.

### **No installation is required**

Easy access for service is provided by the prompt removal of the front panel and/or the cabinet.



## USER'S INFORMATIONS

### INTRODUCTION

This manual provides the specifications and the step-by-step procedures for the start-up and operation and, the maintenance and cleaning for the SCOTSMAN Model ACM 25 Automatic Ice Cube Maker.

The ACM 25 Automatic Cubers are quality designed, engineered and constructed and thoroughly, tested ice making and ice storage systems, providing the utmost in flexibility to fit the needs of particular users.

Separate sections detail more specifically: General Informations & Start-up Operation; Principles of Operation; Adjustment and Removal and Replacement Procedures; Maintenance & Cleaning Instructions; Service Diagnosis; Wiring Diagrams; and the illustrated Assemblies, Parts List & Accessories.

One of the outstanding features of this series of cubers is the easy way for starting it up.

Since it does not require any plumbing connection, it can be placed in any location and put in operation.

### DESCRIPTION

An attractive compact cabinet of textured plastic with an almond enamel finish, makes the styling of the ACM 25 very handsome allowing it to be in harmony with many interior decors. The easy removable front panel provides immediate access to the water reservoir and to the electro-mechanical components.

### SEALED REFRIGERATION SYSTEM

The compressor is fully hermetic and its motor is internally spring-mounted to ensure quiet and efficient operation of the Ice Maker.

The refrigerant circuit is entirely sealed to prevent mishandling and refrigerant leaks.

### SELF CONTAINED STORAGE BIN

The ACM 25 ICE MAKER stores its own ice supply in a properly insulated ice storage bin.

A sensing bulb of a thermostat keeps automatic control of the stored ice cubes level.

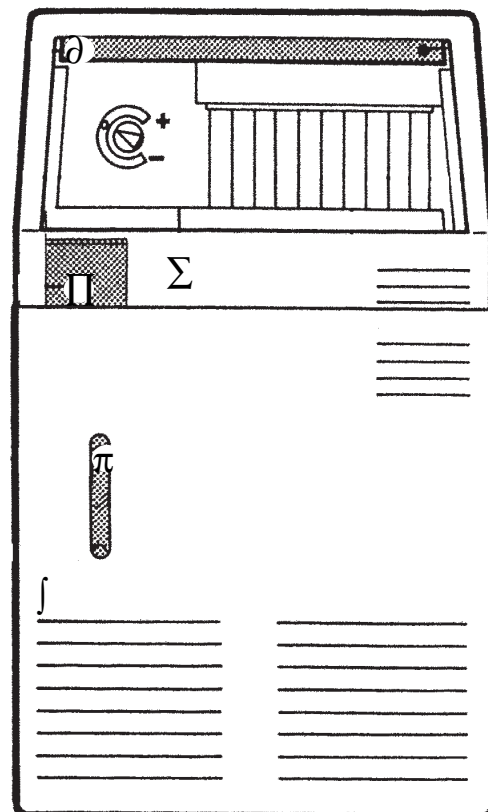
A sliding (recessing) plastic door located in the upper front of the cabinet gives ample access to the storage bin.

### REMOVABLE WATER RESERVOIR

The most exclusive feature of the ACM25 consists in having a removable water sump reservoir. It can be easily removed at any time to be washed clean.

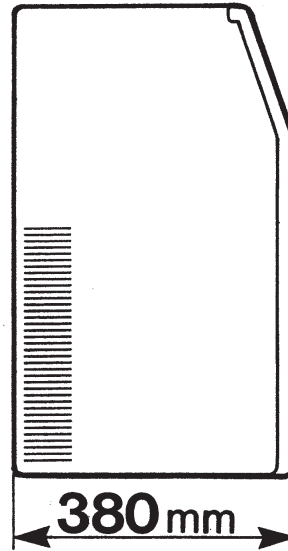
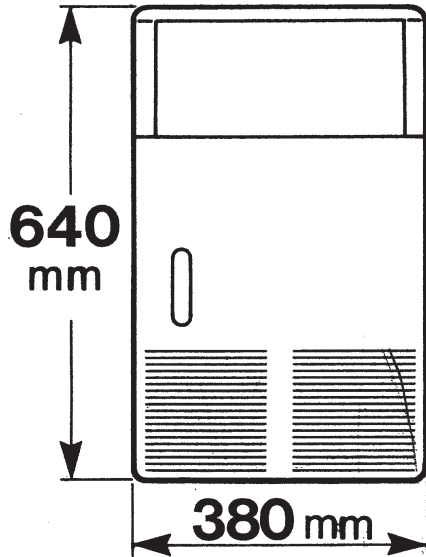
A water level indicator is provided on the front of the reservoir allowing prompt visual inspection of water level into reservoir.

A special funnel in communication with the water reservoir allows prompt and easy filling of water reservoir itself without the need to remove it.

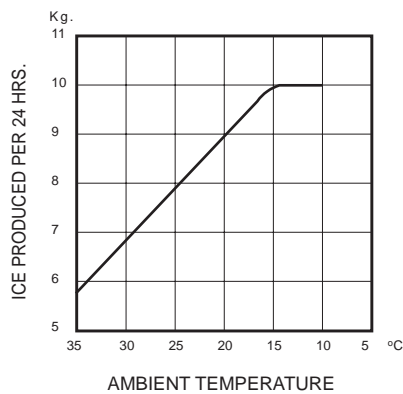


- ∂ bin recessing door
- Σ ice storage bin
- Π water vessel
- π water level indicator
- ∫ front panel

## SPECIFICATIONS



### AIR COOLED MODELS

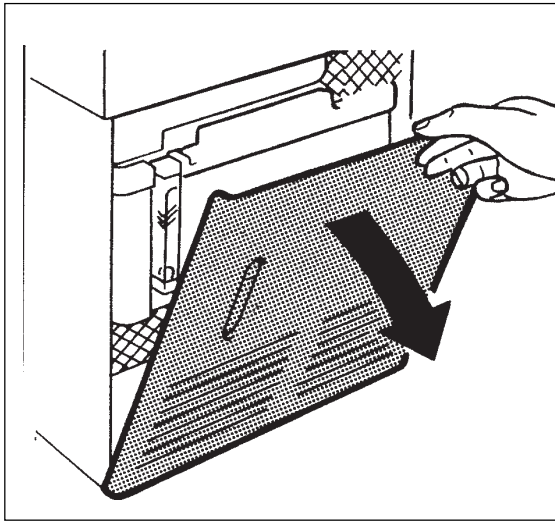


- Dimensions = m/m 380 wide-380 deep-640 high
- Weight = 29 kg (64 lbs.)
- Cabinet = Plastic
- Finish = Enamel
- Color = Almond
- Storage bin = ABS
- Door = Sliding (recess)
- Power Requirements = 230 Volts, 50 Hz, 1 Phase
- Power Consumption = 4,5 Kwh x 24 HRS
- Wire Size = 1 m/m<sup>2</sup>
- Fuse Size = 6 Amps
- Compressor = 1/5 HP
- Refrigerant metering device = Capillary
- Refrigerant Charge = 220 grms FREON, R 134 A
- Harvest Means = Hot gas
- Cubes per harvest = 8
- Storage bin capacity = 3.5 Kgs. (7.7 lbs.)
- Water reservoir capacity = 4 liters (1.1 gl.)

**NOTE.** When machine is "built-in" at ambient temperature of 32°C (90°F) indicated ice capacity decreases about 10%.  
To keep your SCOTSMAN CUBER performing at its maximum capacity, it is necessary to perform periodic maintenance as outlined on page 8 of this manual.

## OPERATIONS TO PERFORM BEFORE UNIT START-UP

- 1) After unpacking the unit, visually inspect its exterior and make sure it does not show any severe damage.
- 2) Remove Lower Compartment Panel and inspect for concealed damage; then check if fan blades move freely, and if compressor is snug on all mounting pads.



- 3) Open the bin door and remove any wrappings or adhesive tape that may be inside, as well as the instruction card attached to the control knob.
- 4) Use clean damp cloth or disposable paper wiper to wipe clean the interior surface of ice storage bin.
- 5) Place ice maker in its selected permanent location and make sure that it is properly levelled.

**NOTICE:** Prior consideration for location site shall include:

- a) Minimum room temperature 10°C (50 degrees F); and maximum room temperature 35°C (95 degrees F)
- b) Well ventilated location for efficient air removal around the unit and maintain proper condensing operation.
- c) Service Access i.e. adequate space for prompt service inspections.

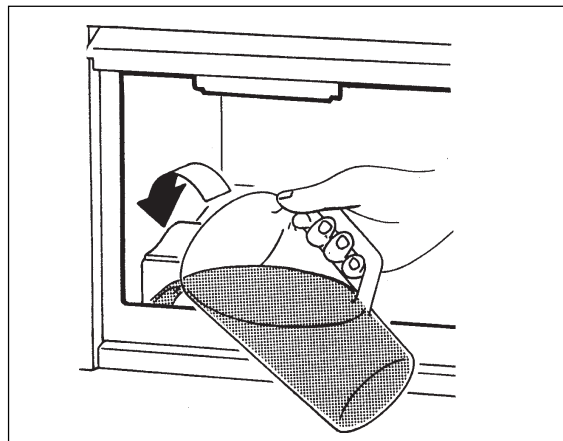
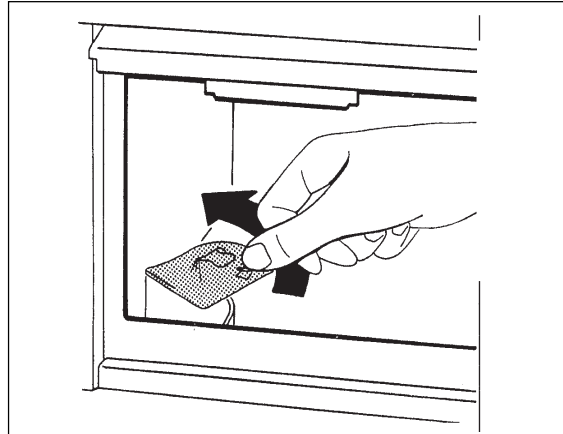
- 6) Check that the location source voltage corresponds with the voltage specified on the nameplate of the unit.

**WARNING:** The location power source must have a solid earth wire connection.

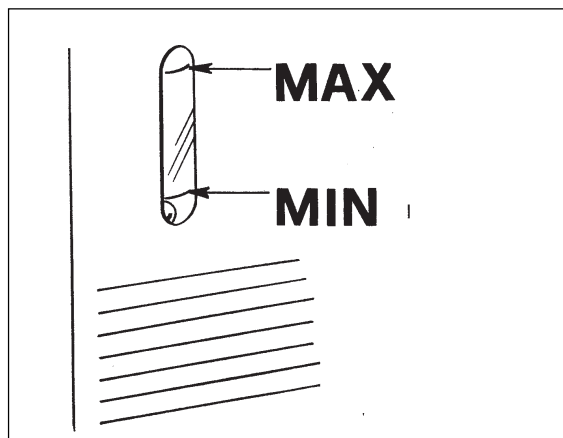
## OPERATING INSTRUCTIONS

### START-UP

- 1) Locate on left side, in storage bin compartment the funnel for pouring the water.
- 2) Through this funnel pour in unit water reservoir 4 liters of fresh potable water.



- 3) Check to see through the water level glass the water level obtained. (Must not exceed the maximum level line and not below minimum level line).



4) Plug the electric cable into the appropriate socket. Make sure that the indicator on the control knob is pointing to the "white dot". The machine is now working and the first cooling cycle can begin.

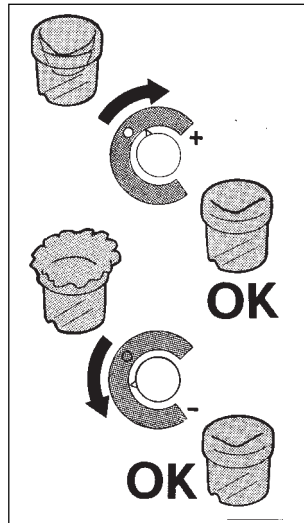
5) The first freezing cycle will last about 35 minutes. During this time, make sure that the plastic curtain that covers the water spray system hangs down loose and no excessive water is passing through, make sure to eliminate eventually noises and vibration sources.

6) After about 35 minutes of operation, the first ice cubes harvest takes place.

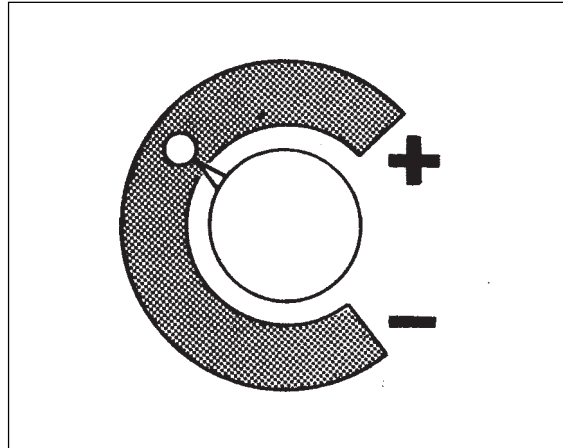
7) During the harvest cycle, which lasts about 3 minutes, the hot gas, circulating through the evaporator serpentine, defrosts the ice cubes up to the point that they are released from their mold cups and drop into the storage bin.

8) **If the temperature of the room in which the machine is placed is below 20°C, the cubes will tend to be partly hollowed out (see fig. on right).**

**If, on the other hand, the room temperature is above 30°C the cubes produced will have a jagged rim of ice around the crown.**



9) If it is thought necessary, the above situations can be remedied by, in the first case, turning the control knob indicator (as little or as much as is required) to the left of the white marker and, in the second case, turning the knob to the right. It should, however, be remembered that if the room temperature returns later to the 20 ÷ 30°C range, the knob indicator must once again be turned to point to the white dot. (see fig. below).



10) The ice maker will automatically stop when the ice cubes in this storage bin compartment cover the sensing bulb of the bin thermostat and will automatically start when the same sensing bulb will be cleared from the ice.

11) Remember to fill up the water reservoir before the water level in it goes below the minimum level line of the indicator. In any case, if for some reason the machine is left running for a short time without water, no serious harm will be caused.

## CLEANING AND CARE

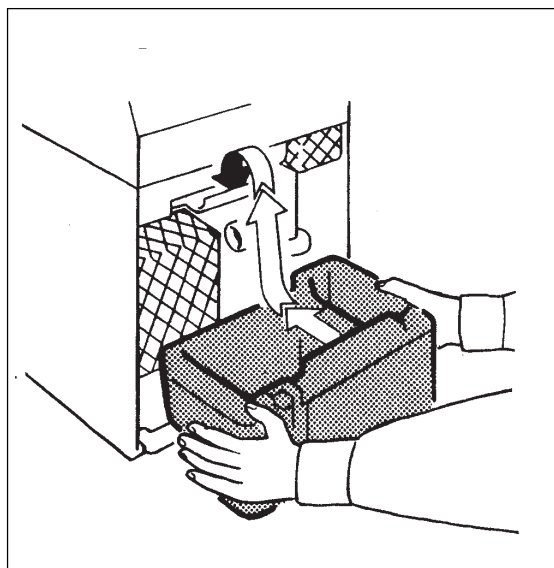
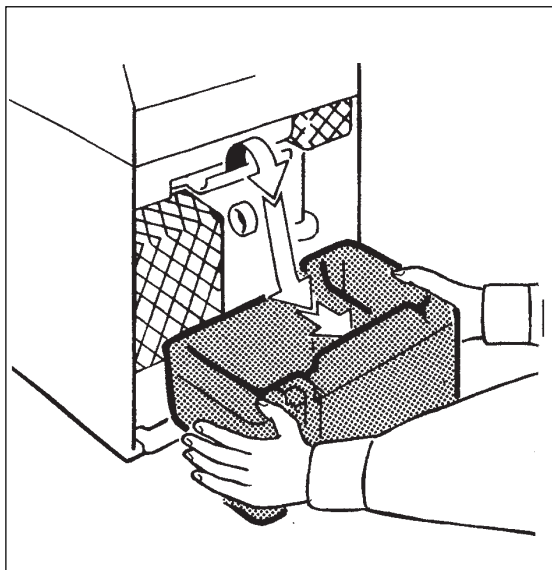
**WARNING** - Before proceeding with any cleaning operation make sure that the power line of the unit is disconnected.

### WATER RESERVOIR AND STORAGE BIN LINER

All commercial units that make or contain edible produces, require a frequent thorough sanitation of all their parts that are in contact with the produces.

It is recommendable, therefore, to perform the cleaning and disinfecting operation once a week as per the following indications.

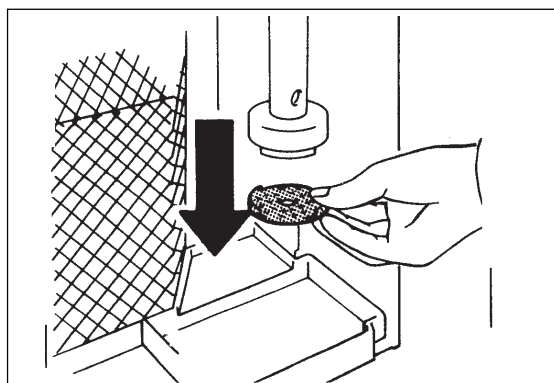
- Remove all ice cubes deposited in ice storage bin if there are any.
- Remove the front lower panel by pulling it from its upper edge and locate the water reservoir.  
Place one hand under the reservoir in order to hold it and with the other grab the hooked front edge.
- Slightly move the reservoir upward until it is loose, then lower and tilt it a bit while drawing out (try to avoid the pump body in doing this).
- Make this reservoir empty and then place it back in the unit.
- In a separate plastic pan, prepare a solution with two liters of water and one full spoon of chlorine water (hypochlorite).
- Pour the prepared solution into the storage bin compartment than wipe clean its interior, meanwhile the solution flows down into the reservoir.
- Connect the power line and put in operation the unit for few minutes. The bleaching solution will be circulated by the pump through the water pipes and nozzles.
- Disconnect the power line, remove again the plastic reservoir, make it empty then re-fit it in its place.
- Pour through the funnel the necessary quantity of new fresh water until the maximum water level in the water reservoir is reached.
- The until is now sanitized and can resume normal operations.



### PUMP INLET SCREEN

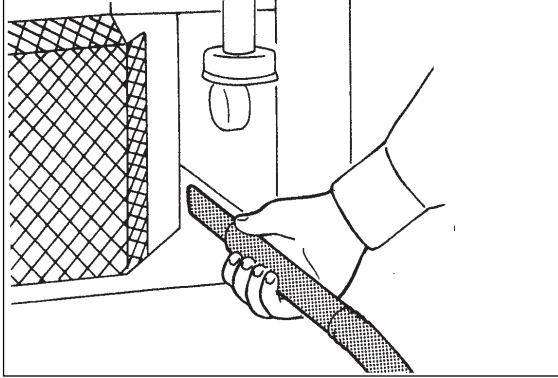
While the water reservoir is removed, it is recommendable to clean the water pump inlet screen.

Pull it down with gentle pressure and wash it clean under a stream of tap water. Once the screen is properly cleaned reposition it in its original place on the pump body.



### AIR COOLED CONDENSER

It is very important to clean the condenser regularly. A dirty or blocked condenser, will drastically reduce ice production. Use a vacuum cleaner to remove dust from the front of the condenser.



### CABINET EXTERIOR

Clean with warm water. Do not apply wax.

**Note.** *When cleaning the floor in the immediate front of the unit, try to do not move much dust that could be easily sucked inside the units through the panel louvers. Eventually, for few seconds, you can place in front of the louvers a piece of paper or cardboard to prevent that the brushed dust penetrates into the machine compartment.*

## PRINCIPLE OF OPERATION

In the Scotsman ACM 25, the water to make ice is continually moved or circulated by a small electric pump that sprays the water under gentle pressure through the two spray jets into the eight inverted cube molds.

Part of the water that hits the cold refrigerated molds freezes, building gradually into full ice cubes bell shaped.

### FREEZING CYCLE (How it works)

The hot gas refrigerant, pumped and discharged by the compressor, passes through the condenser where the fan blowing air causes the changing of it into liquid.

The liquid line takes the refrigerant from the condenser to the capillary tube. During the travel into the capillary tube, the liquid refrigerant loses gradually its temperature and pressure, then it reaches the evaporator coils.

Because of the water sprayed against the evaporator molds and coil, the liquid refrigerant senses the heat of this water and starts boiling, changing, as a consequence, from liquid into vapor state.

The vapor refrigerant is sucked back to the compressor through the suction line.

The freezing cycle is controlled by a temperature control which determines as well the length of the cycle and consequently the size of the ice cube. During this phase, the contact point of the temperature control maintains closed the circuit of the water pump which constantly sprays the water under the evaporator mold cups up to the point that the ice cubes reach their full size.

### HARVEST CYCLE (How it works)

As soon as the temperature control senses the temperature in the evaporator corresponding to the full size cubes, the contact moves to close the circuit of the Hot Gas Valve Coil and consequently to open the circuit of the water pump which momentarily stops.

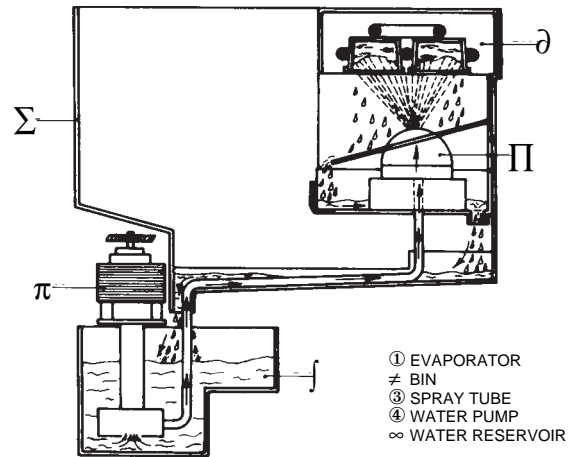
The hot gas refrigerant discharged by the compressor is now diverted through the opened hot gas valve to the evaporator coil.

The hot gas circulates through the evaporator coil raising the temperature around the cube cups sufficiently to release the ice cubes.

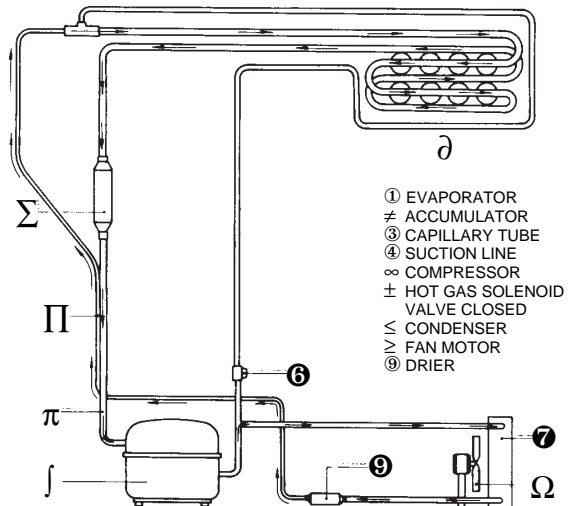
The released ice cubes drop by gravity into the storage bin.

The temperature control bulb, due to the warm temperature in the evaporator moves again the contact de-energizing the hot gas valve and energizing the water circulating pump starting a new freezing cycle.

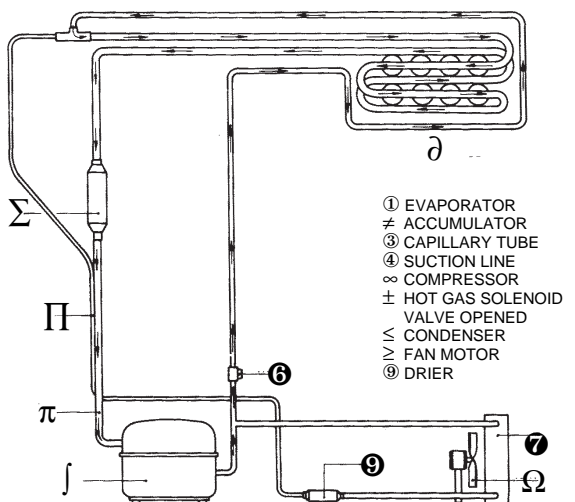
WATER CIRCUIT



FREEZING CYCLE



HARVEST CYCLE



## SERVICEMAN'S INFORMATIONS

### GENERAL

Models ACM 25 Ice Cube Makers have been designed for little service and maintenance requirements.  
Average head pressure is 10 atm at the start-up of the freezing cycle at 21°C ambient tem-

perature.  
It gradually pulls down to 7 atm at the end of the cycle.  
Suction pressure at the start-up of the freezing cycle will be around 3 atm then it pulls down gradually to approximately 0 atm at the end of freezing cycle.

### SERVICE ANALYSIS

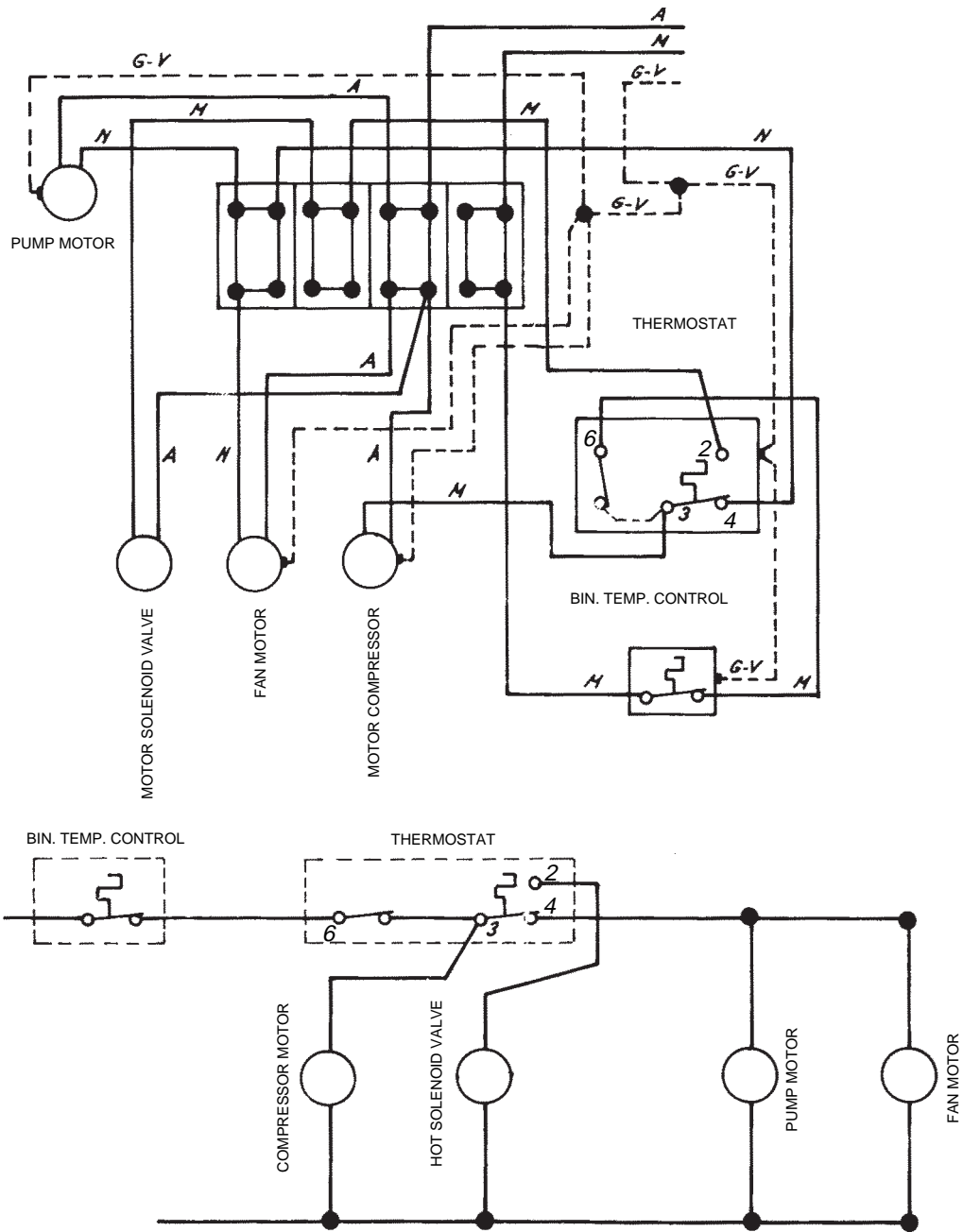
The following Service Analysis Section is for use in aiding the serviceman in diagnosing a particular problem for pin-pointing the area in which the problem lies, thus an ever available reference for proper corrective action.

SYMPTOM	POSSIBLE CAUSE	CORRECTION
Machine does not make ice.	Fuse in Power Line Blown.  Water reservoir empty.  Temp. control out of setting.  Wiring broken or connection off.  Compressor does not run.  Water pump not operating.  Bin thermostat not operating correctly.  Restricted Capillary Tube.  Moisture and air in system.  Shortage of refrigerant.	Check fuses in the house fuse box. Other loads on the same line may have caused fuse to blow. Use a 10 amp circuit and fuse.  Re-fill water reservoir.  Check for proper setting.  Check electrical circuitry.  Any of the following may be the cause. Starting relay, overload, or defective compressor.  Clean or replace pump.  Check thermostat by warming with hand and cooling with ice cube. Replace if necessary.  Purge and recharge.  Purge - recharge - replace drier.  Charge unit properly.
Low ice capacity.	High Room Temperature.  High head pressure.	Provide ventilation to the unit. Decrease temperature as much as possible.  Dirty condenser. Clean.
Cubes too large.	Cube Size Control set improperly.	Check and adjust for proper operation.

SYMPTOM	POSSIBLE CAUSE	CORRECTION
Cubes cloudy.	Spray jets Dirty. Shortage of Water. Dirty water supply, accumulator of dirty in water system.	Clean. Check water level in water reservoir and re-fill. Wipe clean water reservoir and re-fill with new fresh water. Clean water pump screen.
Cubes too small.	Shortage of water. Cube size control set improperly. Water leaking from pump hoses.	Check water level in reservoir. Check and adjust for proper operation. Check clamp and hoses. Replace if necessary.
Compressor cycles intermittently.	Low voltage. Air in the system.	Minimum voltasge to be 10% less than normal rating. Purge and recharge.
Poor harvest cycle.	Too short defrost time. Hot gas not passing through valve. Shortage of refrigerant. Ice cubes too big.	Check temperature control - replace if necessary. Check hot gas valve coil, replace if necessary. Charge unit properly. Set control knob correct shape of ice cubes.

### WIRING DIAGRAM

A	BLUE
M	BROWN
N	BLACK
G-V	YELLOW-GREEN



## REMOVAL & REPLACEMENT PROCEDURE

**WARNING: DISCONNECT THE ELECTRICAL SUPPLY BEFORE PERFORMING ANY OF THE FOLLOWING OPERATIONS**

### Cabinet Removal

1. Remove lower panel by pulling forward at both top corners.
2. Remove water reservoir.
3. Disconnect the electrical cord and pass it through the rear side of the cabinet into the unit compartment.
4. Unloose and remove the two screws securing the front door trim to the side walls of cabinet.
5. Through the interior of the compressor compartment reach the three screws securing the cabinet to the chassis and unloose them. (See indicating arrows).
6. Remove the bottom drip tray.
7. Remove the cabinet by pulling it forward from the rear side.

### Temperature control replacement (Evaporator)

1. Follow step 1 thru 7 for cabinet removal.
2. Remove temperature control knob by pulling it.
3. Unloose the screw securing the control box panel.
4. Pull forward the control box panel.
5. Unloose and remove the nut securing the temperature control to the panel.
6. Remove the spade connections from the control.

7. Locate the thermostat bulb on the evaporator and push it out from its well.
8. The control is now entirely removed.
9. Re-assemble the new control by proceeding on reserve.

**NOTE:** Seal both the ends of bulb holder after the introduction of the new evaporator thermostat capillary tube to avoid that some water freezes inside.

### Bin thermostat replacement

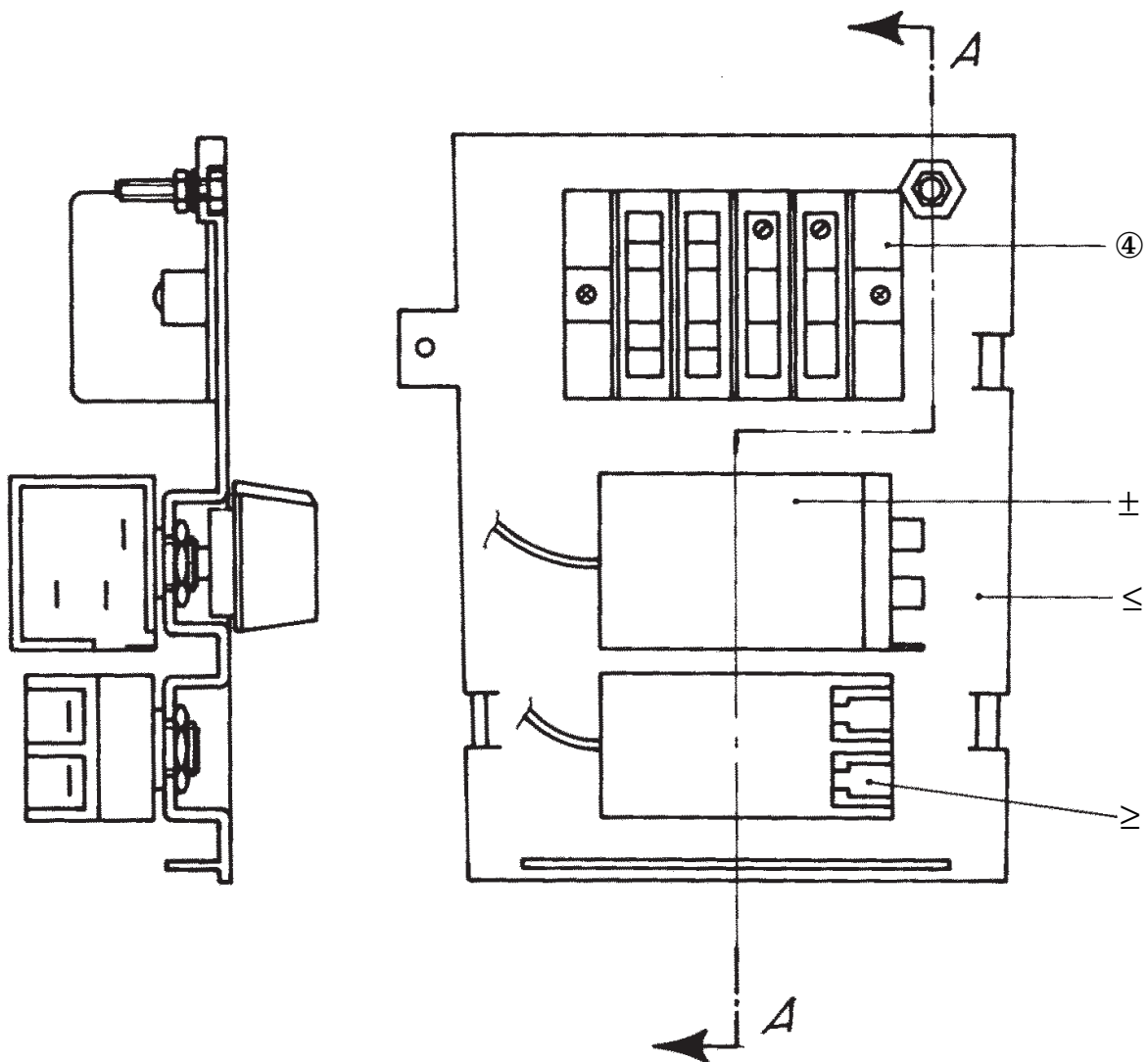
1. Follow step 1 thru 7 for cabinet removal.
2. Follow step 1 thru 4 for temperature control replacement.
3. Unloose and remove the nut securing the bin control to the panel.
4. Remove the end of bin control capillary tube from the interior of the bin.
5. Remove the spade connection from the Temp. Control.
6. The control is now completely free. Proceed to re-assemble acting on reserve.

### Water pump Replacement

1. Follow step 1 thru 7 for cabinet removal.
2. Remove the screw which holds the water pump in place.
3. Remove the two water pump electrical leads.
4. Remove the hose from pump bottom housing.
5. Lift out the pump.
6. To small the replacement pump, follow previous steps in reverse.

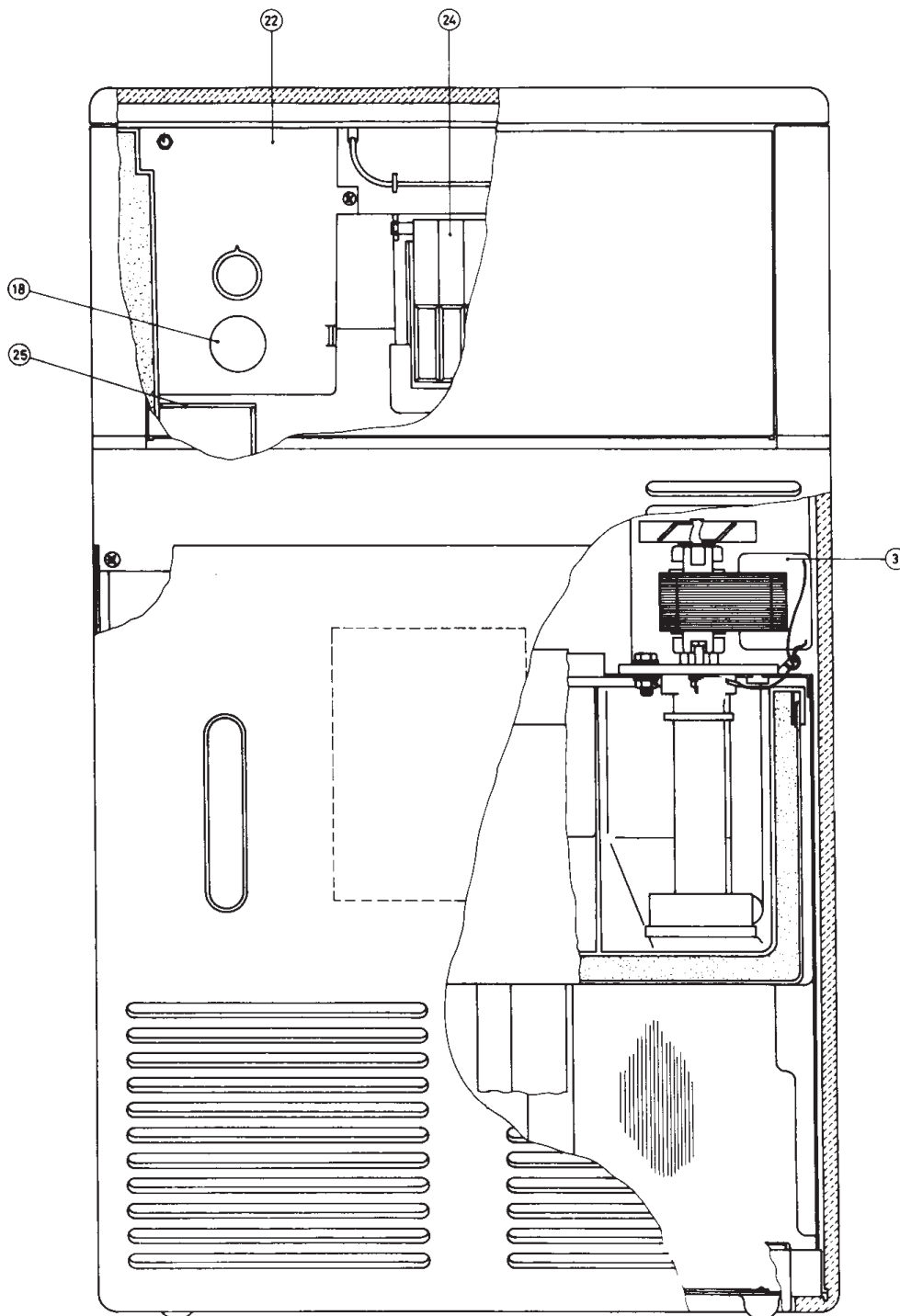
## THE PARTS ILLUSTRATIONS AND PARTS LIST

### CONTROL PANEL ASSY



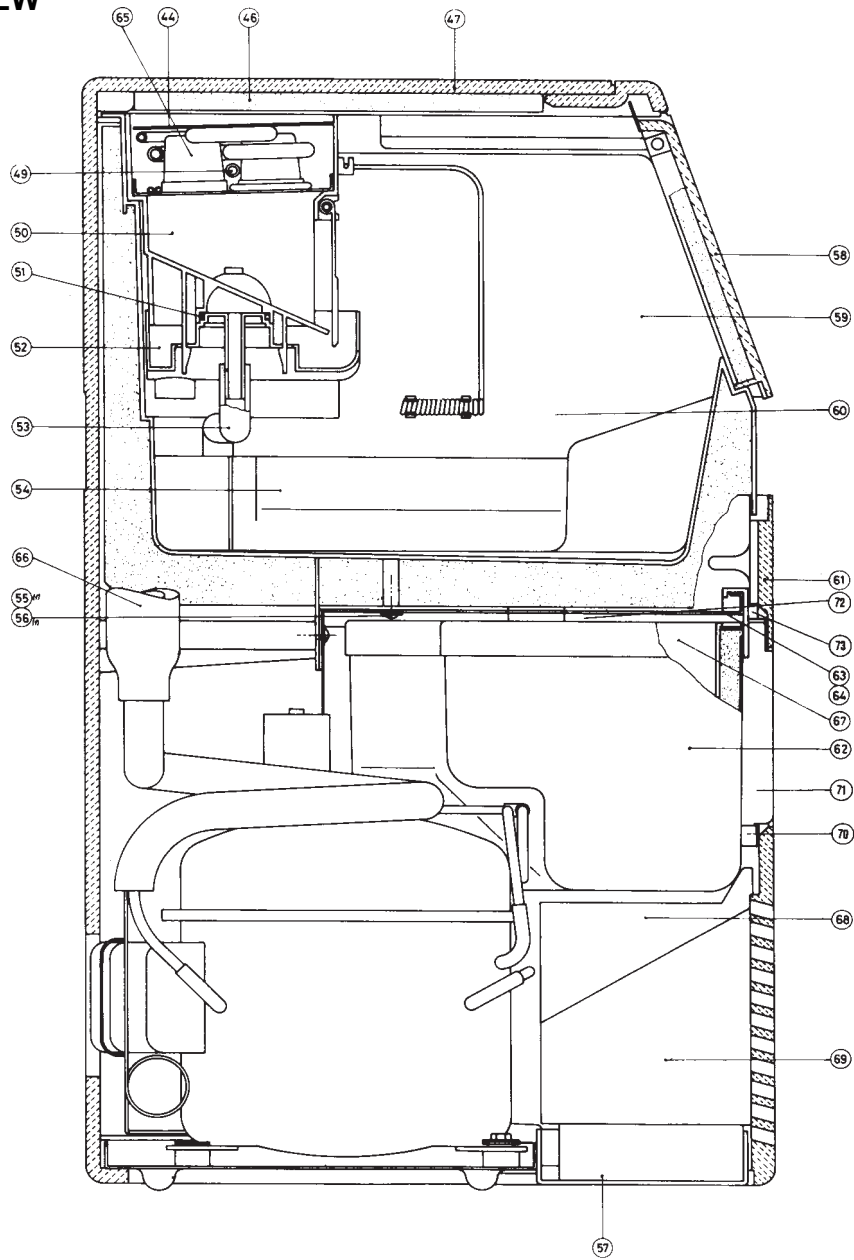
Pos.	Part. N.	Description
4	630070.04	Terminal board
6	620264.10	Evaporator thermostat
7	660321.01	Panel
8	620263.00	Bin control

## FRONT - VIEW



Pos.	Part. N.	Description
3	620433.00	Water pump assy
18	650330.00	Plug
22	660321.00	Control panel
24	784169.03	Curtain
25	660330.00	Funnel cover

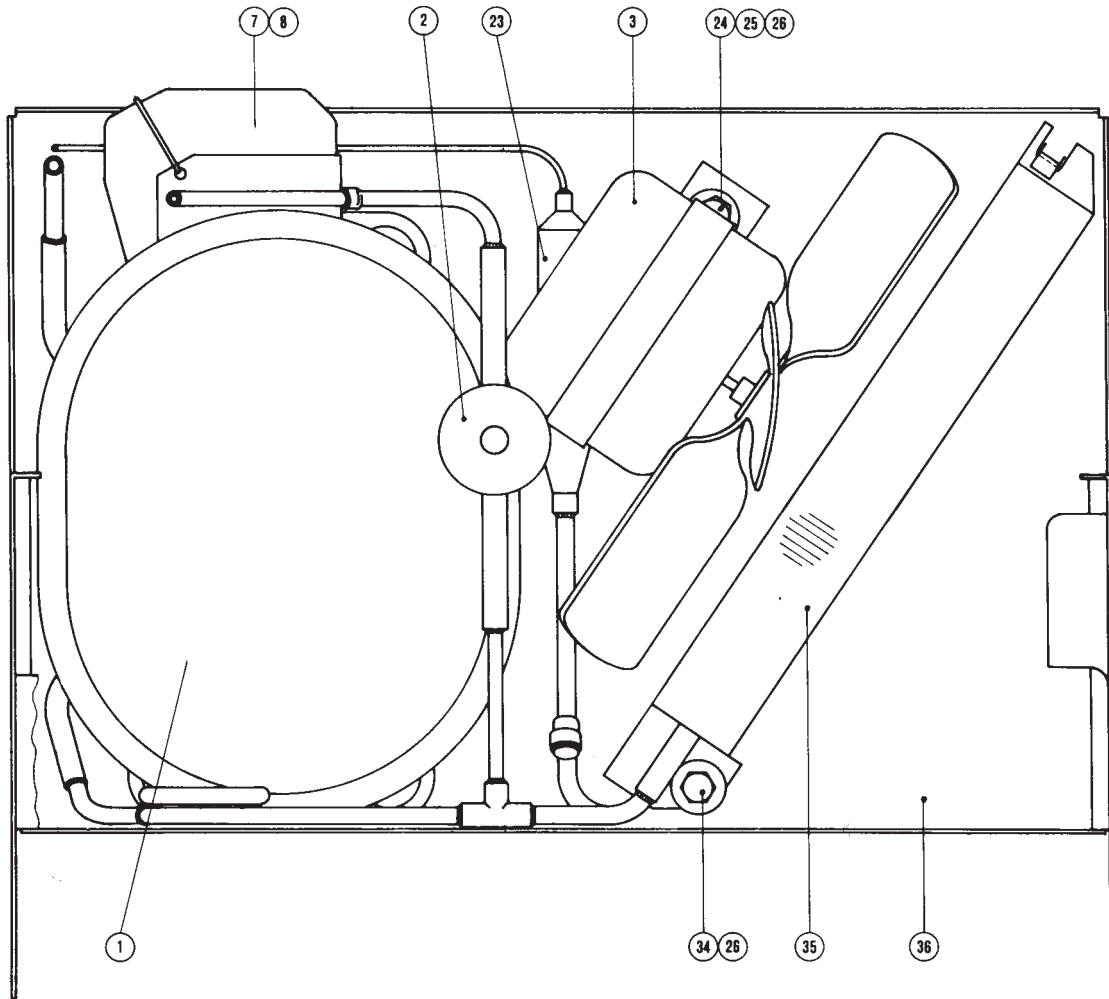
**SIDE - VIEW**



Pos.	Part. N.	Description	Pos.	Part. N.	Description
44	741049.02	Evaporator cover	61	781285.00	Front lower panel
46	650331.01	Insulation	62	793114.00	Water reservoir assy
47	660326.00	Cabinet assy	63	781335.00	Reservoir holder
49	660340.02	Evap. bulb holder	65	784234.00	Evaporator platen assy
	660386.00	Clip	66	784252.02	Suction accumulator
50	783130.00	Evap housing	67*	660359.00	Funnel insert
51	640093.00	Seal ring	68	660335.00	Upper separator
52	660320.00	Water spray tray	69	660343.00	Lower separator
53	610139.00	Plastic hose (pump to spray system)	70	660338.00	Rubber fitting
54	660336.00	Cover	71	660337.00	Sight glass
57	660325.00	Water drip tray	72*	783141.00	Reservoir cover
58	781284.00	Bin door		660424.00	Reservoir cover - Pump
59	782053.00	Ice storage bin	73	660341.00	Rubber plug
60	660339.00	Bulb holder			

\* Not shown

## COMPRESSOR & CONDENSING UNIT



Pos.	Part. N.	Description
1	670097.08	Compressor cpl. Electrolux
	670066.09	Compressor cpl. U.H.
2	620306.48	Hot gas valve coil
	620306.14	Hot gas valve body
3	620419.00	Fan motor only
7	620058.65	Protector for Electrolux
	620058.64	Protector for U.H.

Pos.	Part. N.	Description
8	620057.35	Relay for Electrolux
	620057.32	Relay for U.H.
23	630003.05	Dryer
35	620285.00	Condenser
36	781283.00	Chassis assy

## ACM 25 - COMPRESSOR AND ELECTRIC COMPONENTS CHART

Model	Volts	Compr. Model	Compr. Cpl.	Compr. relay	Compr. protector	Start Capacitor
ACM 25-2	230/60/1	U.H. AE Z4425Y	670066.08	620057.40	620058.74	620167.45
ACM 25-6	230/50/1	Cubigel GL 80PB	670097.08	620057.35	620058.65	–
		U.H. AE Z4425Y	670066.09	620057.32	620058.64	–

Model	Hot gas valve coil	Water pump	Fan motor only
ACM 25-2	620306.48	620433.01	620419.00
ACM 25-6	620306.48	620433.00	620419.00

## PER L'UTILIZZATORE

Il vostro fabbricatore di ghiaccio SCOTSMAN modello ACM 25 è un prodotto accuratamente progettato e costruito per assicurarvi anni di ottime prestazioni con costi di esercizio e manutenzione minimi.

Costruita dalla maggiore industria mondiale del settore, la vostra SCOTSMAN impiega lo stesso principio per la fabbricazione del ghiaccio lungamente sperimentato su decine di migliaia di apparecchi in funzione in tutte le parti del mondo.

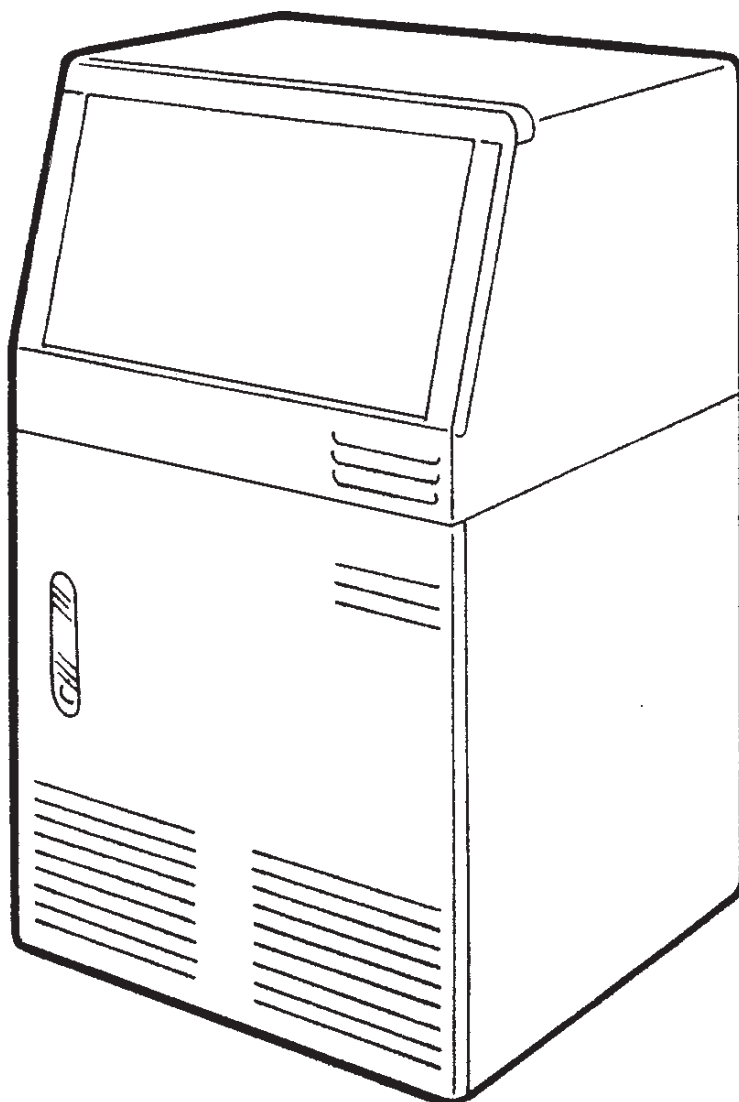
Molti di voi avranno per la prima volta l'opportunità di vedere ed utilizzare i cubetti di ghiaccio SCOTSMAN caratterizzati da una elevata solidità e trasparenza e, molto importante, da una

lenta fusione, fattori non riscontrabili in quelli formati nel vostro frigorifero domestico che in genere sono opachi e di rapida fusione.

Vorremmo ora suggerirvi di dedicare un po' del vostro tempo alla lettura del presente manuale; potrete così sincerarvi delle ragioni per cui i cubetti di ghiaccio SCOTSMAN sono molto più trasparenti e solidi di quelli del vostro frigorifero.

### **Non è richiesto nessun allacciamento idraulico**

Togliendo il pannello frontale e/o l'intero mantello si può facilmente accedere ai vari componenti del fabbricatore di ghiaccio ACM 25.



## INFORMAZIONI PER L'UTILIZZATORE

### INTRODUZIONE

Il presente manuale è stato emesso per fornire tutte le informazioni utili onde agevolare il compito di chi è preposto all'avviamento ed alla riparazione dei fabbricatori di ghiaccio; infatti, oltre alle specifiche tecniche contiene numerose indicazioni per il posizionamento, l'avviamento, il funzionamento, la manutenzione e la pulizia del fabbricatore di ghiaccio a cubetti SCOTSMAN modello ACM 25.

I fabbricatori di ghiaccio a cubetti ACM 25 sono stati progettati e costruiti con un elevato standard qualitativo; essi vengono collaudati interamente per diverse ore e sono in grado di assicurare il massimo rendimento relativamente ad ogni particolare uso e situazione.

Un notevole numero di informazioni è esposto minuziosamente nei diversi capitoli, che sono: Informazioni Generali; Avviamento e Marcia; Principi di Funzionamento; Procedure per la Regolazione, la Rimozione e la Sostituzione; Schemi Elettrici; Istruzioni per la Manutenzione e la Pulizia e le illustrazioni dei componenti e Parti di Ricambio.

Una delle caratteristiche principali di questa serie di apparecchi consiste nel loro avviamento estremamente semplice.

Non richiedendo alcun collegamento idraulico, possono essere collocati e messi in funzione in qualsiasi luogo.

### DESCRIZIONE

Grazie ad un mobile di design sobrio e gradevole, in plastica smaltata color avorio, il fabbricatore di ghiaccio a cubetti ACM 25 può essere armoniosamente inserito in qualunque ambiente. Il pannello frontale, di facile rimozione, permette un immediato accesso alla bacinella dell'acqua ed ai componenti elettrici dell'apparecchio.

#### SISTEMA REFRIGERANTE

Il compressore impiegato è del tipo ermetico, quindi particolarmente efficace e silenzioso durante il funzionamento; il circuito frigorifero è completamente ermetico onde prevenire delle perdite di refrigerante dal medesimo.

#### CONTENITORE DEL GHIACCIO

Il fabbricatore di ghiaccio ACM 25 è in grado di stivare la propria produzione in un contenitore propriamente isolato.

Il bulbo sensibile del termostato contenitore mantiene automaticamente il livello del ghiaccio in esso stivato.

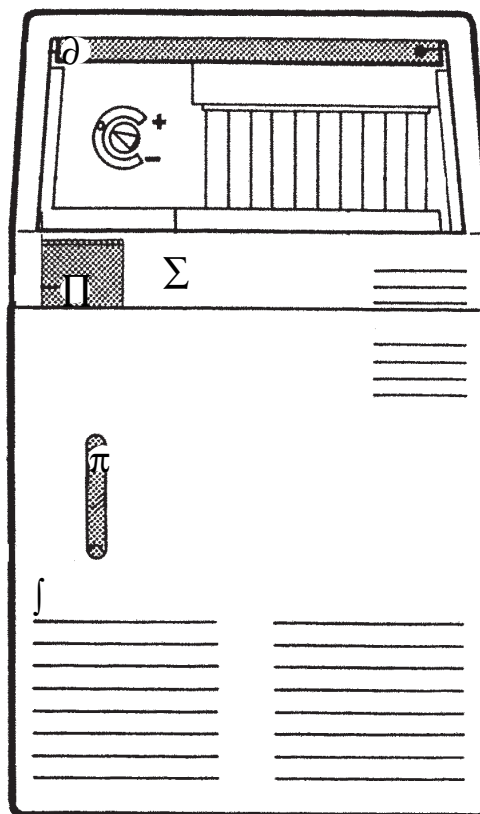
Lo sportello scorrevole, posto nella parte frontale superiore del mobile, permette un agevole accesso al contenitore stesso.

#### BACINELLA DELL'ACQUA AMOVIBILE

Caratteristica esclusiva dell'ACM 25 consiste nell'avere una bacinella contenente l'acqua, agevolmente rimovibile dall'apparecchio per facilitare la sua pulizia periodica.

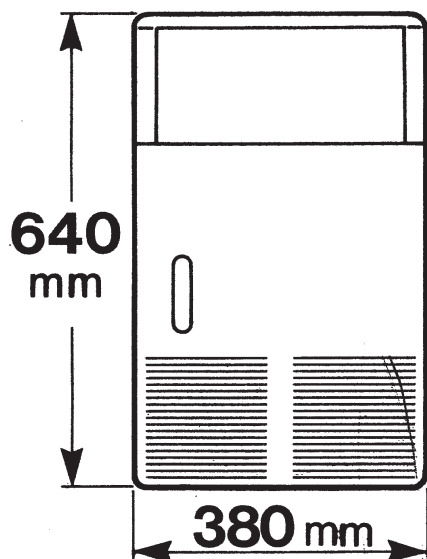
L'indicatore di livello, situato nella parte frontale, permette una pronta verifica del livello dell'acqua.

Uno speciale imbuto, posto nell'angolo sinistro del contenitore del ghiaccio, consente il ripristino del livello d'acqua nella bacinella senza il bisogno di rimuovere la stessa.



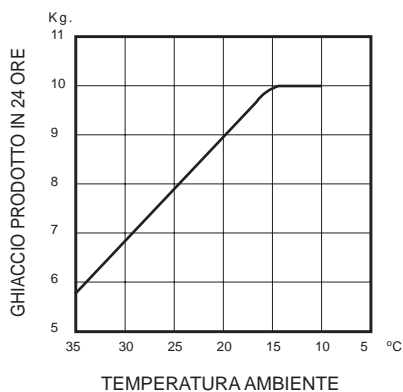
∂  
Σ  
Π  
π  
∫

## SPECIFICHE TECNICHE



- **Dimensioni** = larghezza mm. 380  
profondità-380 altezza-640
- **Peso** = 29 kg.
- **Mobile** = Plastica
- **Finitura** = Verniciato
- **Colore** = Avorio
- **Contenitore ghiaccio** = ABS
- **Sportello** = Scorrevole
- **Alimentazione elettrica** = 230/50/1
- **Consumo di energia elettrica** = 4,5 Kwh x 24 ore
- **Dimensione cavo di alimentazione** = 1 mm<sup>2</sup>
- **Fusibile** = 6 Amps
- **Compressore** = 1/5 HP
- **Dispositivo espansione refrigerante** = Tubo capillare
- **Carica refrigerante** = 220 gr. FREON R 134 A
- **Scongelo** = Tramite gas caldo
- **Cubetti per ciclo** = 8
- **Capacità contenitore ghiaccio** = 3.5 Kg.
- **Capacità bacinella acqua** = 4 litri

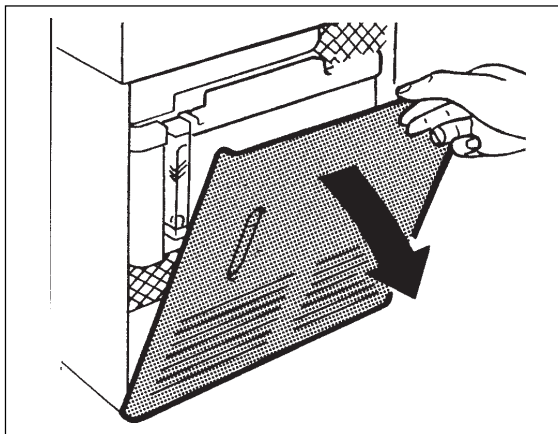
### RAFFREDDAMENTO AD ARIA



**NOTA.** Con l'apparecchio incassato la produzione di ghiaccio è ridotta rispetto a quanto indica il diagramma, sino a raggiungere un massimo del 10% a temperatura ambiente superiore a 32° C. Per mantenere la produzione del vostro fabbricatore di ghiaccio a cubetti al massimo della sua condizione è necessario eseguire la manutenzione periodica come illustrato a pagina 25 di questo manuale.

## OPERAZIONI DA EFFETTUARE PRIMA DELL'AVVIAMENTO

- 1) Sballare l'apparecchio e controllare che non abbia subito alcun danno durante il trasporto.
- 2) Togliere il pannello frontale inferiore ed asportare il serbatoio acqua per meglio controllare l'interno dell'apparecchio; assicurarsi che il ventilatore giri liberamente e che il compressore sia ben posizionato sui supporti.



- 3) Aprire lo sportello del contenitore e togliere eventuali involucri o nastri adesivi all'interno dello stesso, nonché il cartellino d'istruzioni fissato sul volantino di comando.
- 4) Pulire l'interno del contenitore con un panno umido e pulito.
- 5) Sistemare l'apparecchio nella sua posizione definitiva ed assicurarsi che sia ben livellato.

**NOTA:** nella scelta del luogo in cui posizionare la macchina occorre tener presente che:

- a) Minima temperatura ambiente 10°C (50°F);  
Massima temperatura ambiente 35°C (95°F)
- b) Luogo ben ventilato per una efficiente ventilazione intorno all'apparecchio e quindi corretto funzionamento del condensatore.
- c) Spazio adeguato per una facile ispezione dell'apparecchio e delle sue parti.

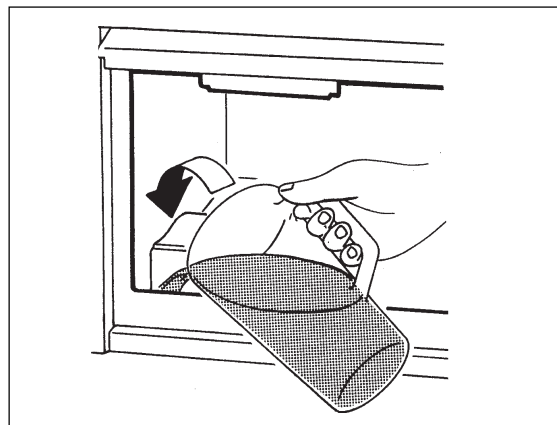
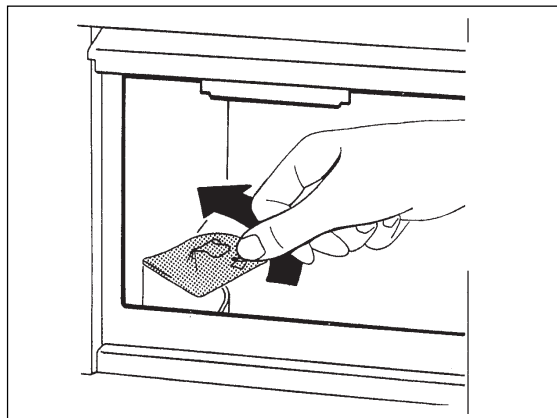
- 6) Accertarsi che l'alimentazione elettrica disponibile corrisponda a quanto indicato sulla targhetta dell'apparecchio.

**ATTENZIONE:** la presa elettrica di collegamento all'apparecchio deve essere provvista di un buon collegamento a terra.

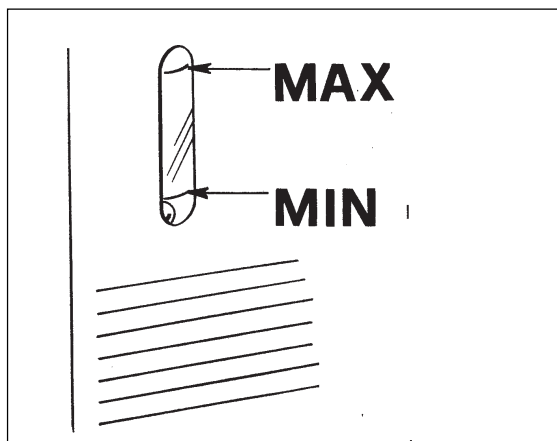
## ISTRUZIONI DI FUNZIONAMENTO

### AVVIAMENTO

- 1) Localizzare nella parte sinistra del contenitore l'imbuto di riempimento acqua alla macchina.
- 2) Versare attraverso l'imbuto 4 litri di acqua potabile.



- 3) Controllare attraverso l'indicatore di livello la posizione raggiunta dall'acqua. (Non deve superare il massimo né essere inferiore al minimo).



4) Inserire la spina nella relativa presa di corrente. Accertarsi che il volantino di comando abbia l'indicatore posto in corrispondenza del "punto bianco". L'apparecchio entra in funzione ed ha inizio il primo ciclo di refrigerazione.

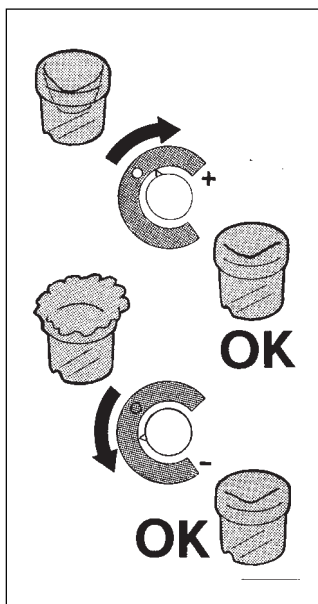
5) Per il primo completamento di questo ciclo occorreranno circa 30/35 minuti. Durante questo tempo accertarsi che la tendina paraspruzzi sia ben posizionata e non lasci passare acqua in eccesso. Eliminare eventuali cause di rumori o vibrazioni.

6) Dopo circa 30/35 minuti si avrà il primo ciclo di sbrinamento che consentirà il distacco e la caduta dei primi 8 cubetti.

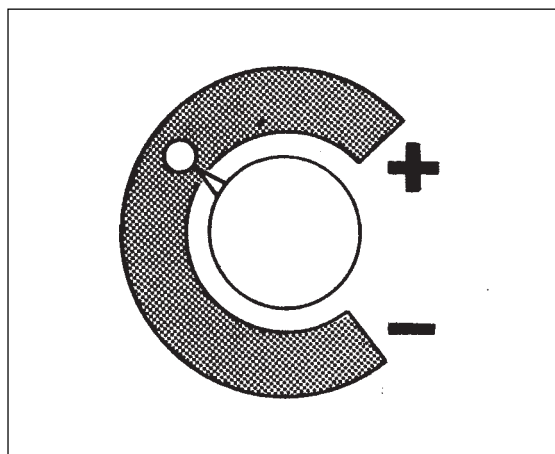
7) Il distacco e la conseguente caduta degli 8 cubetti è causata dal gas caldo pompato dal compressore che, circolando nella serpentina dell'evaporatore, scalda le sedi dei cubetti provocando quindi un leggero scioglimento dei cubetti stessi che, non essendo più trattenuti dall'effetto congelante, cadono nel contenitore di raccolta.

8) **Se la temperatura del locale in cui è posto l'apparecchio è inferiore a 20°C, i cubetti prodotti possono avere un incavo pronunciato al loro intervento (Vedi figura a lato).**

**Se invece la temperatura ambiente sarà superiore a 30°C i cubetti prodotti tenderanno ad avere delle frastagliature di ghiaccio attorno alla corona.**



9) Chi lo ritenesse necessario, potrebbe migliorare le sopra illustrate situazioni di cubetti, portando, nel primo caso, l'indicatore del volantino di comando più o meno leggermente a sinistra del punto bianco di riferimento, nel secondo caso più o meno leggermente a destra. Occorre però tener presente che, qualora la temperatura ambiente rientrasse entro i 20 ÷ 30°C, l'indicatore del volantino andrà riportato in corrispondenza del punto bianco (Vedi illustrazione sotto).



10) L'apparecchio si fermerà automaticamente quando il contenitore sarà pieno di ghiaccio ed i cubetti toccheranno il bulbo del termostato contenitore, e si rimetterà automaticamente in funzione una volta prelevato il ghiaccio.

11) Ricordarsi di riempire di acqua il contenitore dell'apparecchio ogni qualvolta il livello dell'acqua sarà inferiore al minimo. Comunque, se l'apparecchio verrà lasciato in funzione senz'acqua per brevi periodi, per dimenticanza od altro, non avverrà alcunchè di grave.

## PULIZIA E MANUTENZIONE

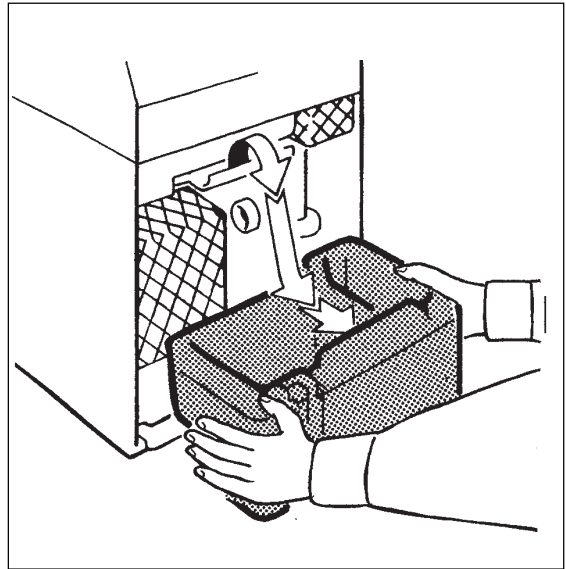
**ATTENZIONE.** Prima di procedere a qualsiasi operazione di pulizia accertarsi che la corrente elettrica dell'apparecchio sia staccata.

### BACINELLA CONTENITORE ACQUA E RISERVA GHIACCIO

Tutte le apparecchiature commerciali che producono o preservano dei prodotti commestibili richiedono una pulizia ed una disinfezione frequente delle loro parti che sono in contatto con il prodotto.

Per tale motivo si raccomanda di effettuare sul produttore di ghiaccio una pulizia e disinfezione settimanale secondo le indicazioni seguenti:

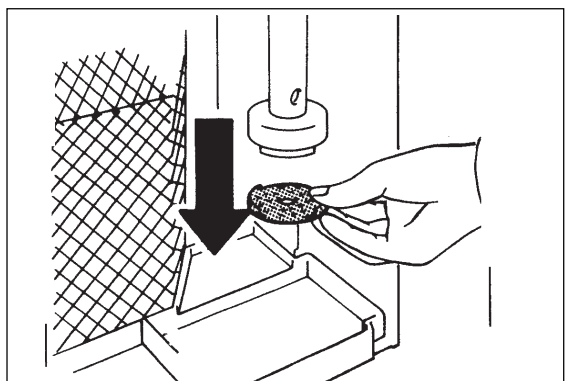
- Togliere tutto il ghiaccio eventuale contenuto nella riserva di ghiaccio.
- Togliere il pannello frontale inferiore tirandolo dal bordo superiore e localizzare la bacinella acqua.
- Mettere una mano sotto alla bacinella per sostenerla e con l'altra prendere la sua parte superiore.
- Muovere lentamente la bacinella verso l'alto finché sia liberata dall'incastro, quindi verso il basso piegandola leggermente in avanti mentre la si estrae. (Evitare di toccare il corpo della pompa durante questa operazione).
- Svuotare completamente la bacinella e rimetterla di nuovo al suo posto.
- In un recipiente a parte preparare una soluzione di due litri di acqua ed un cucchiaino di varechina.
- Versare tale soluzione così preparata nella riserva di ghiaccio e pulirne bene il suo interno nel mentre la soluzione discende nella bacinella sottostante.
- Ricollegare la corrente elettrica all'apparecchio e mettere in funzione la macchina per pochi minuti. La soluzione pulente verrà fatta circolare dalla pompa attraverso i tubi dell'acqua e gli spruzzatori.
- Staccare la corrente elettrica all'apparecchio, togliere di nuovo la bacinella contenitore acqua, svuotarla completamente e rimetterla nella sua posizione originale.
- Versare attraverso l'imbuto di riempimento la quantità di acqua potabile necessaria al riempimento del contenitore fino alla posizione massima indicata sull'indicatore di livello.
- L'apparecchio è adesso disinfettato e può riprendere il suo normale funzionamento.



### FILTRO ENTRATA POMPA

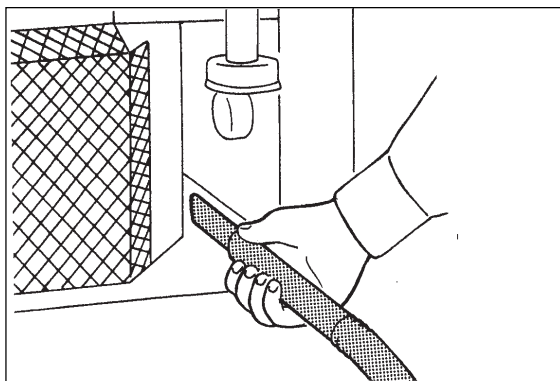
Quando si procede alla pulizia della bacinella è consigliabile pulire anche il filtro di entrata della pompa.

Togliere il filtro dal corpo pompa mediante una leggera pressione e pulirlo sotto un getto di acqua corrente. Indi rimetterlo nella sua posizione originale.



## CONDENSATORE AD ARIA

E' molto importante pulire periodicamente il condensatore ad aria. Un condensatore sporco o bloccato riduce drasticamente la produzione di ghiaccio. Usare un aspirapolvere per togliere lo sporco accumulatosi sulla parte frontale del condensatore.



## ESTERNO DELL'APPARECCHIO

Pulire con acqua tiepida. Non usare cera.

**NOTA.** *Quando si pulisce il pavimento nelle immediate vicinanze dell'apparecchio, fare in modo di non sollevare molta polvere che potrebbe facilmente essere aspirata all'interno dell'apparecchio attraverso le feritoie del pannello frontale. Eventualmente per pochi secondi si potrebbe mettere davanti alle feritoie un foglio di carta o di cartone per evitare che la polvere sollevata possa penetrare all'interno dell'apparecchio.*

## PRINCIPIO DI FUNZIONAMENTO

Nel fabbricatore di ghiaccio SCOTSMAN modello ACM 25 l'acqua usata per la produzione del ghiaccio è tenuta costantemente in movimento tramite una pompa elettrica che spruzza l'acqua a pressione moderata, attraverso gli spruzzatori, all'interno dei bicchierini rovesciati dall'evaporatore.

### CICLO DI CONGELAMENTO

Il refrigerante allo stato gassoso pompato dal compressore passa attraverso il condensatore dove si trasforma in refrigerante allo stato liquido. La linea del liquido permette al refrigerante di fluire dal condensatore al tubo capillare attraverso il filtro deumidificatore. Durante il passaggio attraverso il tubo capillare il refrigerante allo stato liquido perde gradualmente la sua pressione e temperatura raggiungendo successivamente la serpentina dell'evaporatore. L'acqua spruzzata nei bicchierini rovesciati dell'evaporatore cede del calore al refrigerante circolante all'interno della serpentina, causandone l'evaporazione quindi cambiandone di conseguenza il suo stato fisico che da liquido diviene vapore.

Il refrigerante allo stato vaporoso dopo essere passato attraverso l'accumulatore viene aspirato nuovamente dal compressore tramite la linea di aspirazione.

Il ciclo di congelamento è regolato da un controllo della temperatura (termostato evaporatore) che determina la durata dello stesso e di conseguenza la dimensione dei cubetti.

Durante il ciclo di congelamento i contatti elettrici del termostato evaporatore mantengono chiuso il circuito elettrico della pompa la quale spruzza costantemente l'acqua nei bicchierini rovesciati fino a che i cubetti di ghiaccio raggiungono le giuste dimensioni.

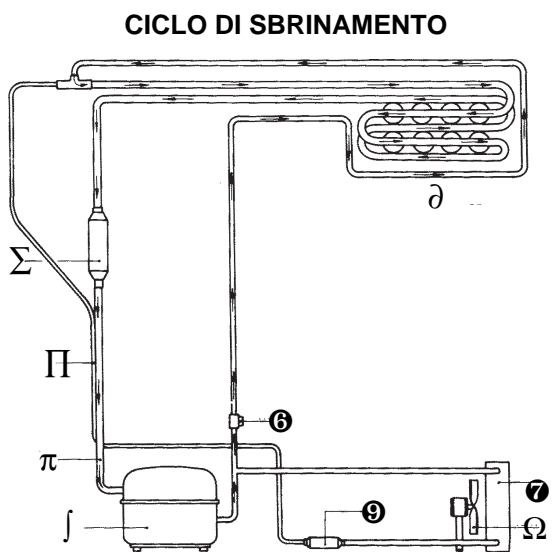
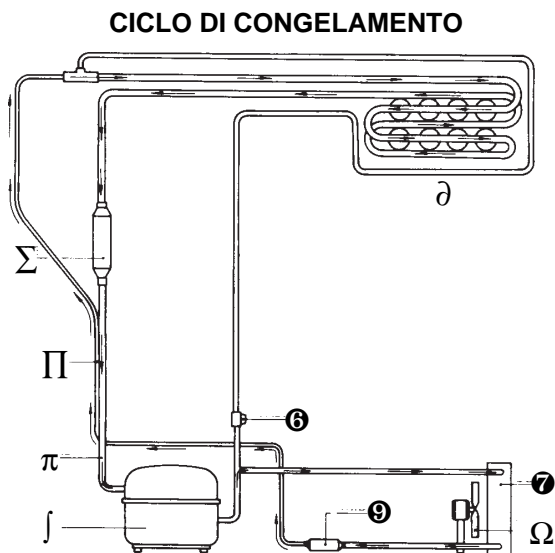
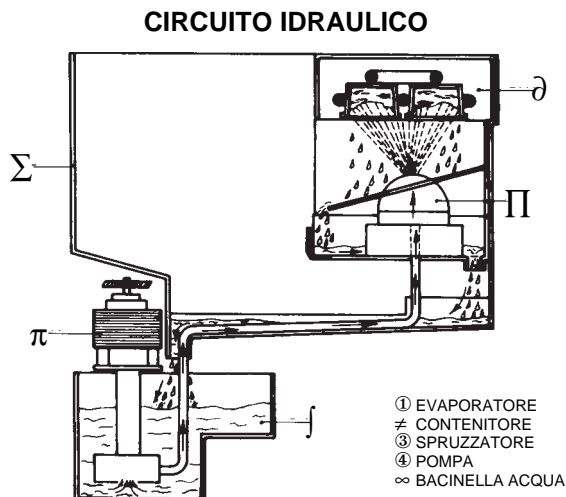
### CICLO DI SBRINAMENTO

Al momento in cui il termostato evaporatore sente la temperatura corrispondente ai cubetti di ghiaccio di dimensione piena, i contatti dello stesso cambiano posizione chiudendo il circuito della bobina del gas caldo ed allo stesso tempo si aprono i circuiti della pompa e del ventilatore i quali cessano di funzionare.

Il refrigerante allo stato gassoso, pompato dal compressore, è ora dirottato dalla valvola del gas caldo aperta, direttamente alla serpentina dell'evaporatore, seguendo il percorso più diretto cioè non passando attraverso il condensatore. Il gas caldo, che circola all'interno della serpentina dell'evaporatore, fa aumentare la temperatura dei bicchierini facendo quindi distaccare i cubetti di ghiaccio dai medesimi.

I cubetti staccatisi cadono per gravità sopra lo scivolo da dove vengono convogliati all'interno del contenitore del ghiaccio.

Grazie al fluire del gas caldo nella serpentina dell'evaporatore, la temperatura dello stesso sale e conseguentemente sale anche la temperatura del bulbo sensibile del termostato evaporatore il



quale inverte i suoi contatti disattivando la bobina della valvola gas caldo ed attivando la pompa di circolazione dell'acqua iniziando così un nuovo ciclo di congelamento.

## INFORMAZIONI TECNICHE

### PREMESSA

I fabbricatori di ghiaccio a cubetti ACM 25 sono così semplici da ridurre la loro assistenza e manutenzione a poche operazioni. In media la pressione di mandata (alta pressione) è di 10 atm all'inizio del ciclo di congelamento

ad una temperatura ambiente di 21°C per poi abbassarsi gradatamente attorno alle 7 atm alla fine del ciclo di congelamento.

La pressione di aspirazione (bassa pressione) sarà di circa 3 atm all'inizio del ciclo di congelamento per poi calare gradualmente attorno alle 0 atm alla fine del ciclo di congelamento.

### SERVIZIO ANALISI

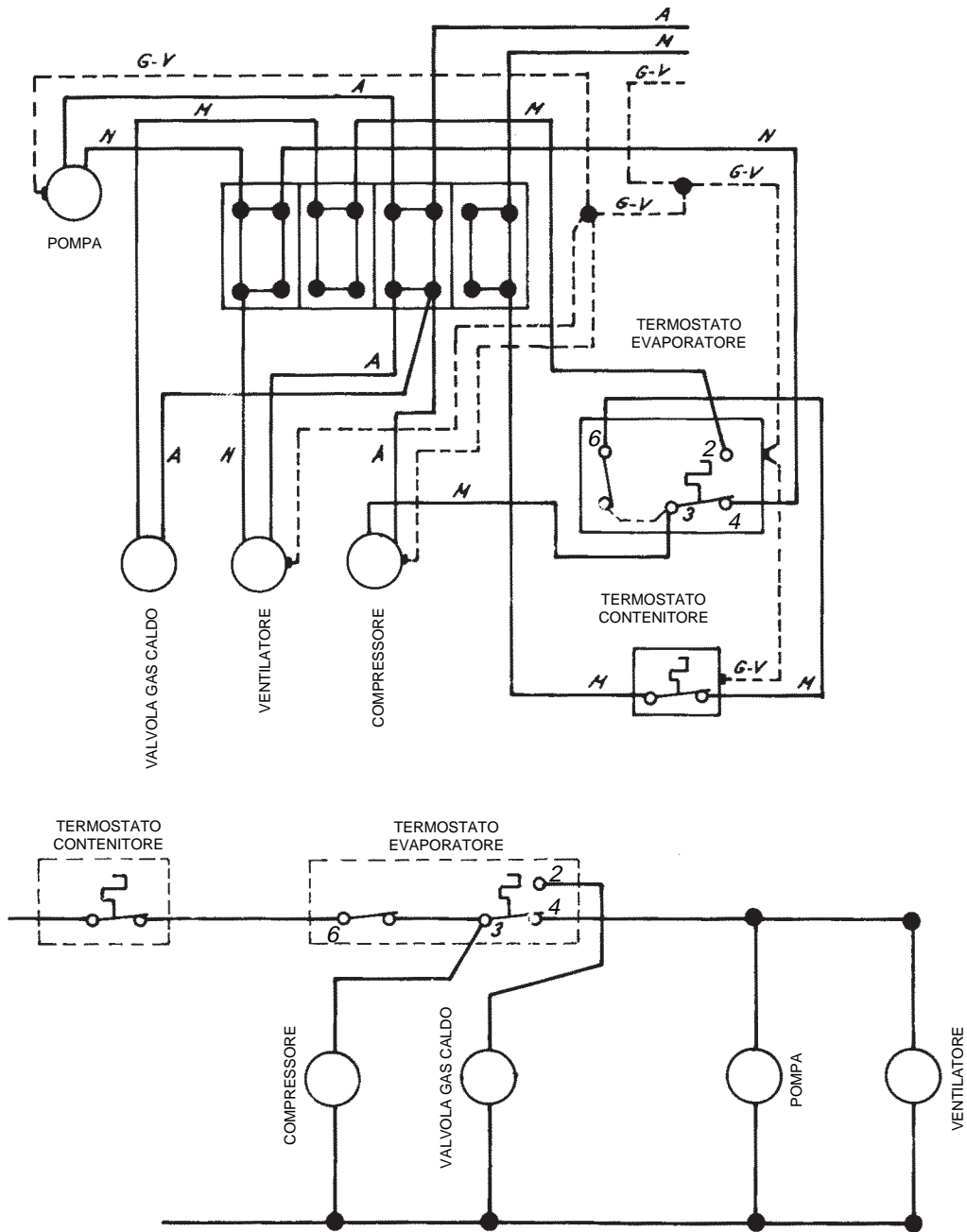
Il seguente capitolo serve come aiuto al tecnico riparatore nel diagnosticare un particolare problema, individuare la sua possibile causa e suggerire le operazioni da intraprendere per porvi rimedio.

GUASTO	POSSIBILE CAUSA	RIMEDI SUGGERITI
L'unità non produce ghiaccio.	Fusibile sulla linea elettrica bruciato. Bacinella contenitore acqua vuota. Circuito elettrico interrotto. Compressore non funziona. Pompa non funziona. Termostato contenitore non funziona correttamente. Restrizione nel tubo capillare. Umidità e aria nel sistema. Mancanza di refrigerante.	Sostituire il fusibile e cercare la causa per cui è bruciato. Ripristinare il livello. Controllare circuito elettrico. Verificare ognuna delle seguenti possibili cause. Relè d'avviamento, protettore, o compressore difettoso. Pulire o sostituire la pompa. Controllare il suo funzionamento scaldandolo con una mano e raffreddandolo con del ghiaccio. Sostituire se necessario. Scaricare e ricaricare. Scaricare - sostituire il filtro deumidificatore - ricaricare. Caricare correttamente l'apparecchio.
Bassa produzione di ghiaccio.	Temperatura ambiente elevata. Alta pressione di mandata.	Provvedere a ventilare l'apparecchio. Ridurre la temperatura quanto possibile. Condensatore sporco. Pulire.
Cubetti troppo grossi.	Termostato evaporatore regolato impropriamente.	Controllare e regolare propriamente (vedi pag. 23).

<b>GUASTO</b>	<b>POSSIBILE CAUSA</b>	<b>RIMEDI SUGGERITI</b>
Cubetti opachi.	Spruzzatori otturati.  Mancanza d'acqua.  Acqua di alimentazione torbida, accumulo di depositi nel sistema idraulico.	Pulire.  Controllare il livello dell'acqua nella bacinella.  Pulire la bacinella dell'acqua e riempire con acqua pulita. Pulire il filtro della pompa.
Cubetti troppo piccoli.	Mancanza d'acqua.  Termostato evaporatore regolato impropriamente.  Perdita d'acqua dal tubo della pompa.	Controllare il livello dell'acqua nella bacinella e riempire.  Controllare e regolare propriamente (vedi pag. 23)  Controllare la fascetta ed il tubo. Sostituire se necessario.
Il compressore fa dei cicli ad intermittenza.	Basso voltaggio.  Aria nel sistema.	Il minimo voltaggio deve essere al max. del 10% minore del normale.  Scaricare e ricaricare.
Ciclo di sbrinamento insufficiente.	Ciclo di sbrinamento troppo corto.  Il gas caldo non fluisce attraverso la valvola.  Mancanza di refrigerante.  Cubetti di ghiaccio troppo grossi.	Controllare il termostato evaporatore. Sostituire se necessario.  Controllare la bobina della valvola gas caldo. Sostituire se necessario.  Caricare propriamente l'apparecchio.  Regolare il termostato evaporatore (vedi pag. 23).

**SCHEMA ELETTRICO**

A	AZZURRO
M	MARRONE
N	NERO
G-V	GIALLO - VERDE



## PROCEDURE PER LA RIMOZIONE E LA SOSTITUZIONE DEI VARI COMPONENTI

**ATTENZIONE:** prima di procedere ad una qualunque delle seguenti procedure di rimozione e di sostituzione onde prevenire possibili danni sia fisici che all'apparecchio, accertarsi che la corrente elettrica sia staccata.

### Rimozione del mobile esterno

1. Togliere il pannello frontale tirandolo dal bordo superiore.
2. Rimuovere la bacinella contenente l'acqua.
3. Far passare il cavo di alimentazione attraverso la parete posteriore.
4. Svitare e togliere le due viti che fissano la parte frontale della cornice sportello alle pareti del mobile.
5. Nella parte interna del compartimento compressore localizzare le tre viti che assicurano il mobile al telaio dell'unità e svitarle.
6. Togliere la bacinella raccogliacqua.
7. Svitare le due viti che fissano, nella parte posteriore, il mobile al basamento dell'apparecchio.
8. Togliere l'intero mobile tirandolo dalla parte posteriore.

### Sostituzione del termostato evaporatore

1. Seguire le procedure dal punto 1 al punto 8 per la rimozione dell'intero mobile.
2. Togliere la manopola del termostato evaporatore facendo leva alla base.
3. Svitare la vite di fissaggio del coperchio della scatola elettrica.
4. Rimuovere, prestando una certa attenzione, l'intero coperchio della scatola elettrica.
5. Togliere svitando il dado che fissa il termostato evaporatore al coperchio della scatola elettrica.

6. Scollegare i cavetti elettrici dal termostato evaporatore.

7. Localizzare il bulbo sensibile del termostato evaporatore posto nel portabulbo fissato alla parte superiore dell'evaporatore ed estrarlo; rimuovere quindi l'intero controllo.

8. Montare il nuovo termostato evaporatore seguendo le voci precedenti a ritroso.

**NOTA.** Sigillare le due estremità del portabulbo, dopo aver introdotto il bulbo sensibile del termostato evaporatore, onde evitare che dell'acqua congeli nel suo interno.

### Sostituzione del termostato contenitore

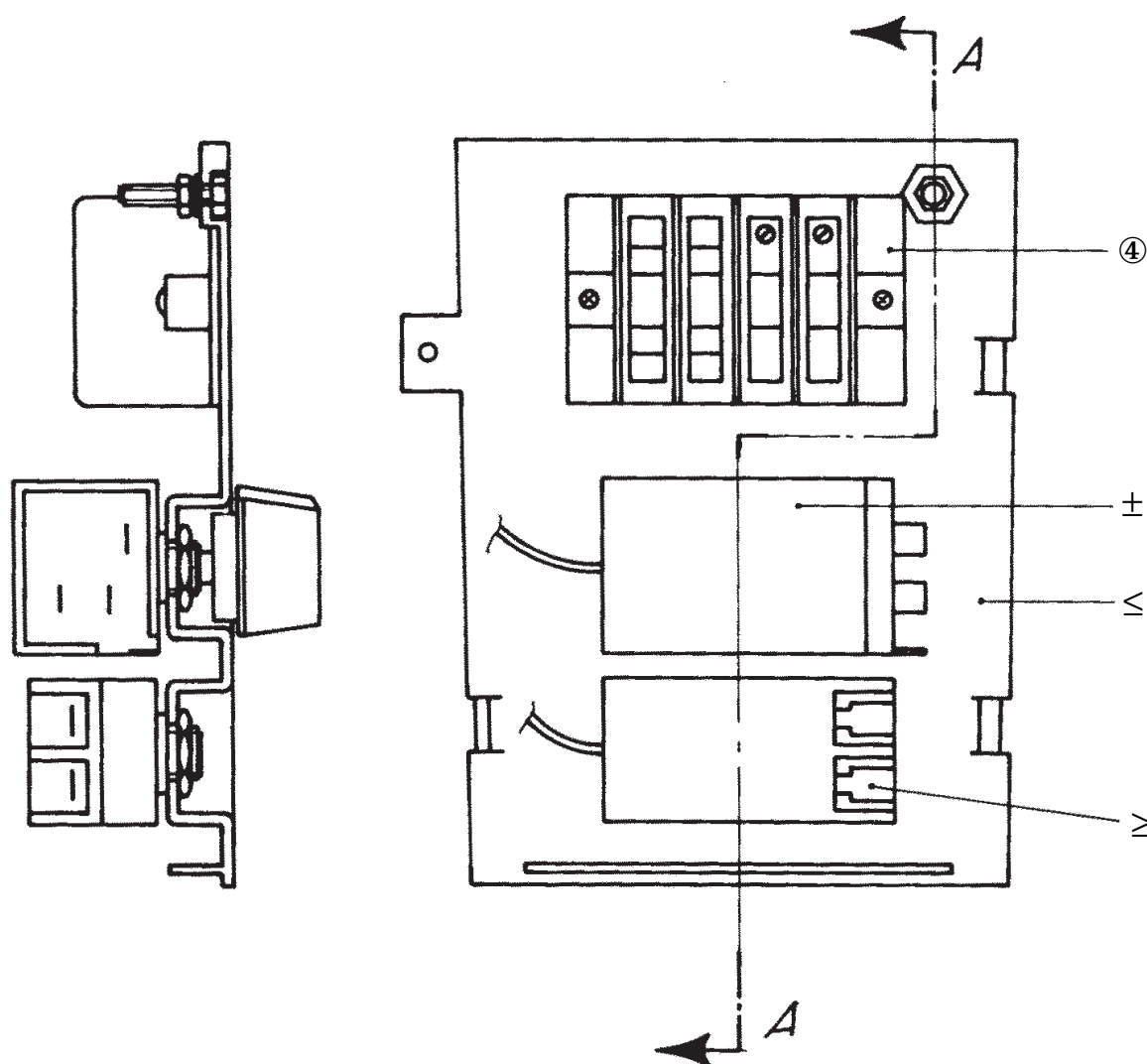
1. Seguire le procedure per la rimozione dell'intero mobile.
2. Seguire le procedure dal punto 1 al punto 4 della sostituzione del termostato evaporatore.
3. Svitare e togliere il dado che fissa il termostato contenitore al coperchio della scatola elettrica.
4. Togliere il bulbo sensibile del termostato contenitore dall'interno del contenitore stesso.
5. Scollegare i cavi elettrici dal termostato stesso. Il termostato è ora libero.
6. Procedere al montaggio del nuovo termostato contenitore seguendo le voci al contrario.

### Sostituzione della pompa

1. Seguire le procedure dal punto 1 al punto 7 per la rimozione dell'intero mobile.
2. Svitare e rimuovere la vite che fissa la pompa al supporto metallico.
3. Scollegare i cavetti elettrici dalla pompa.
4. Togliere il tubo in gomma dal corpo pompa, quindi rimuoverla dalla sua sede.
5. Seguire le procedure al contrario per l'installazione della nuova pompa.

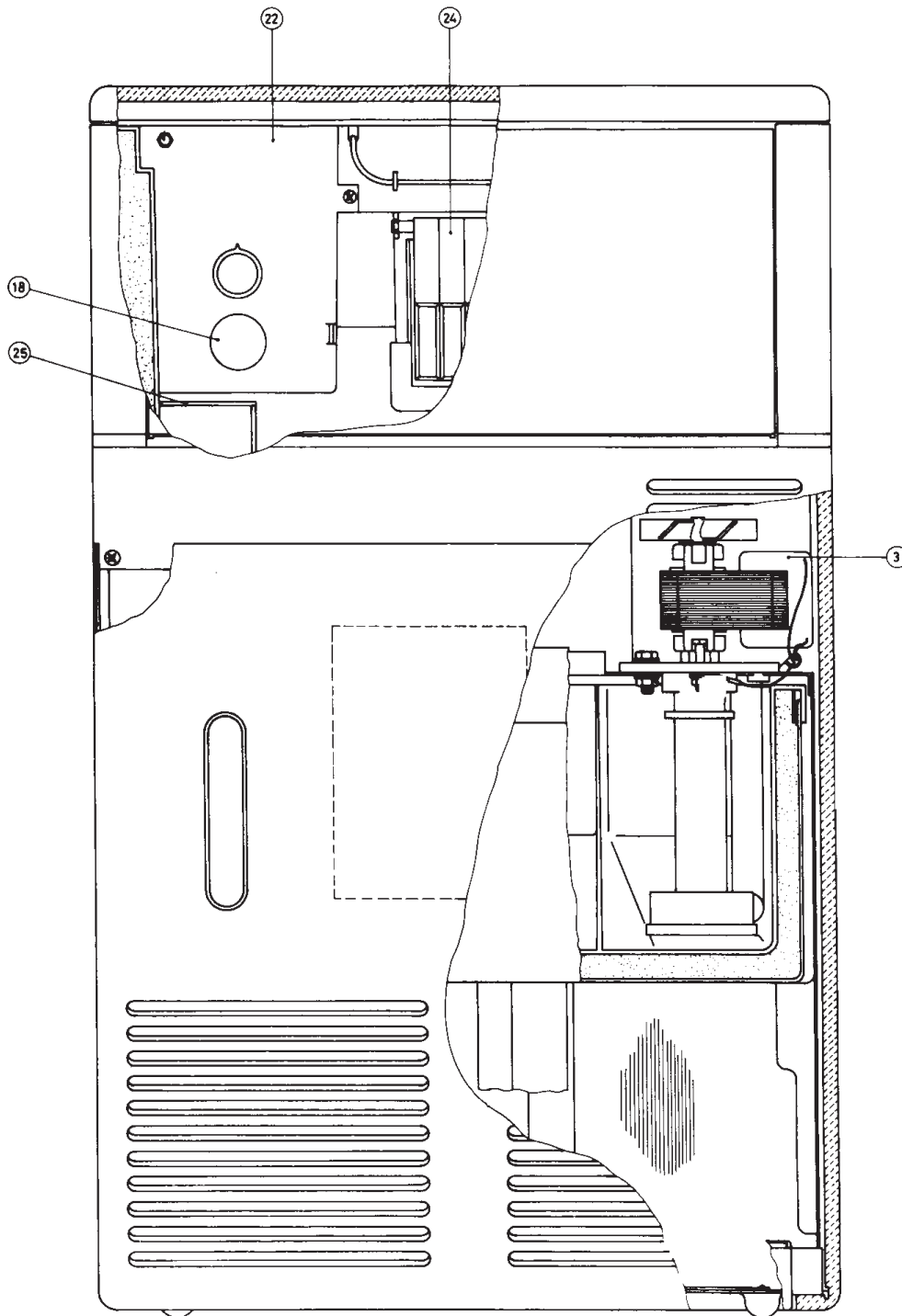
## ILLUSTRAZIONI ED ELENCHI DELLE PARTI DI RICAMBIO

### SCATOLA ELETTRICA



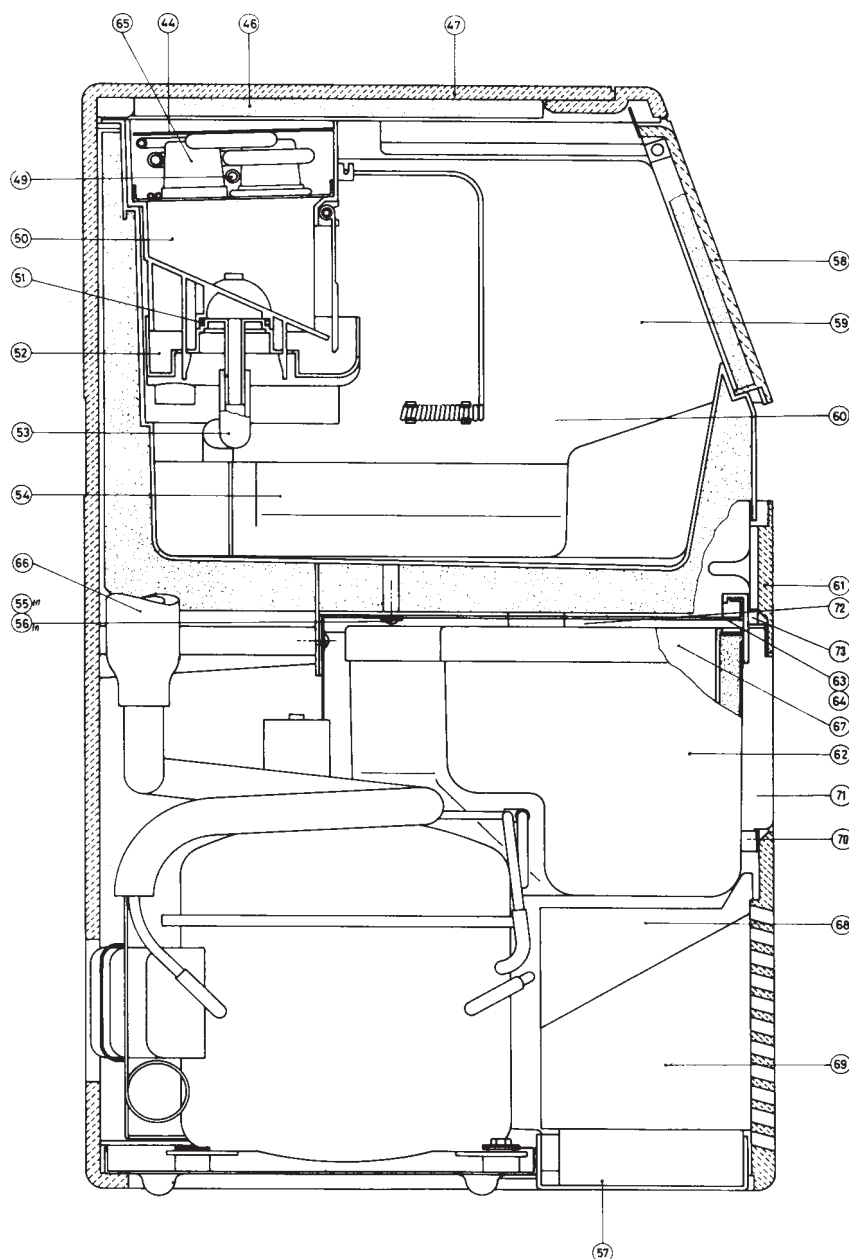
Pos.	Codice	Descrizione
4	630070.04	Morsettiera
6	620264.10	Termostato evaporatore
7	660321.00	Coperchio
8	620263.00	Termostato contenitore

VISTA FRONTALE



Pos.	Codice	Descrizione
3	620433.00	Ass. pompa
18	650330.00	Tappo
22	660321.00	Coperchio
24	784169.03	Tendina
25	660330.00	Coperchio imbuto

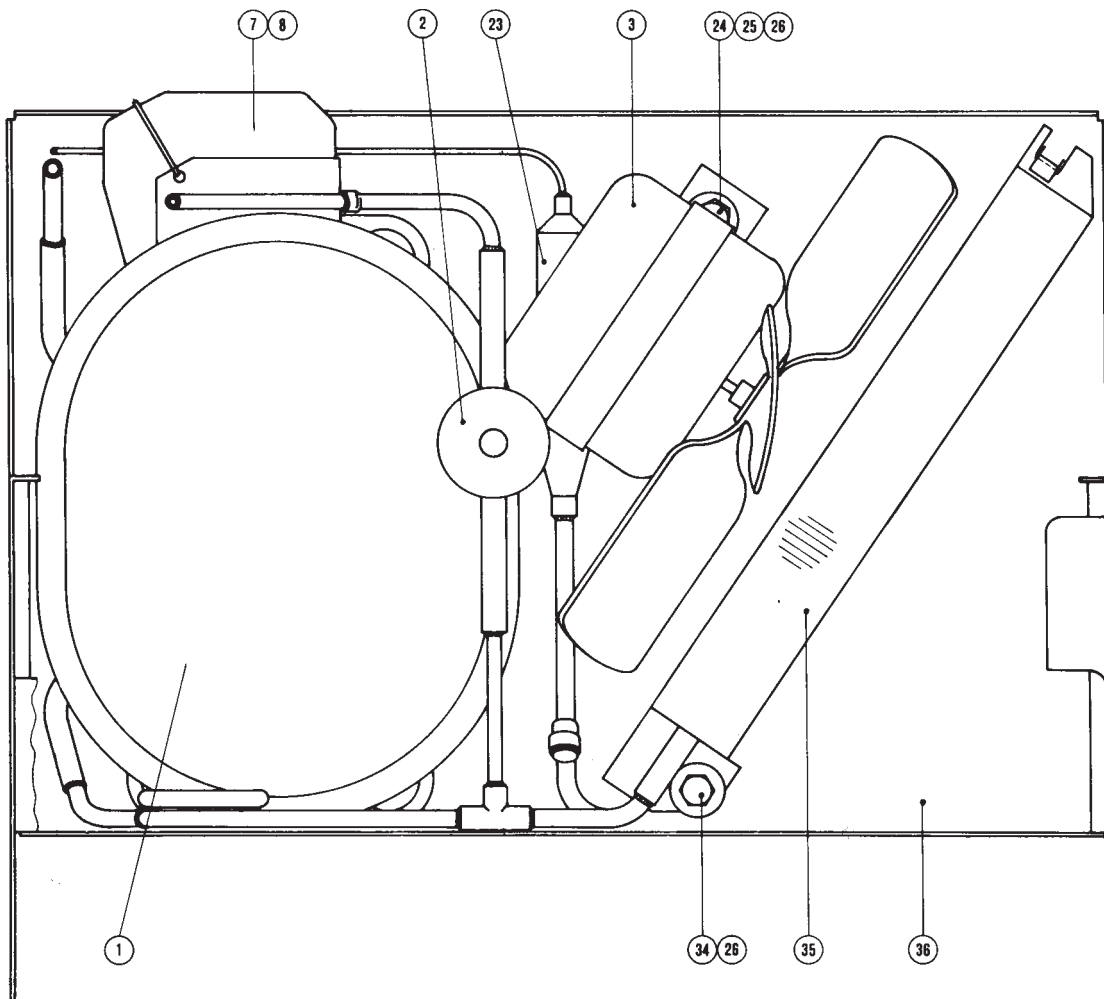
**VISTA LATERALE**



Pos.	Codice	Descrizione	Pos.	Codice	Descrizione
44	741049.02	Coperchio evaporatore	61	781285.00	Pannello frontale
46	650331.01	Isolamento	62	793114.00	Bacinella acqua
47	660326.00	Ass. mantello	63	781335.00	Supporto vaschetta
49	660340.02	Tubo portabulbo	65	784234.00	Piastra evaporatore
	660386.00	Molletta	66	784252.02	Linea aspirazione
50	783130.00	Allogg. evaporatore	67*	660359.00	Imbuto
51	640093.00	Guarnizione	68	660335.00	Parte sup. separatore
52	660320.00	Vaschetta raccogli acqua	69	660343.00	Parte inf. separatore
53	610139.00	Tubo	70	660338.00	Raccordo in gomma
54	660336.00	Coperchio	71	660337.00	Spia di livello
57	660325.00	Vaschetta raccogli gocce	72*	783141.00	Coperchio bacinella
58	781284.00	Sportello		660424.00	Coperchio bacinella - pompa
59	782053.00	Contenitore ghiaccio	73	660341.00	Tappo in gomma
60	660339.00	Porta bulbo			

\* Non mostrato

## COMPARTIMENTO COMPRESSORE



Pos.	Codice	Descrizione
1	670097.08	Compressore cpl. Electrolux
	670066.09	Compressore cpl. U.H.
2	620306.48	Bobina valvola gas caldo
	620306.14	Corpo valvola gas caldo
3	620419.00	Motore ventilatore
7	620058.65	Protettore Electrolux
	620058.64	Protettore U.H.

Pos.	Codice	Descrizione
8	620057.35	Relè Electrolux
	620057.32	Relè U.H.
23	630003.05	Deumidificatore
35	620285.00	Condensatore
36	781283.00	Ass. telaio

## ACM 25 - COMPONENTI DEL COMPRESSORE ED ELETTRICI

Modello	Voltaggio	Modello Compr.	Compr. Cpl.	Relé Compr.	Protettore Compr.	Start Capacitor
ACM 25-2	230/60/1	U.H. AE Z4425Y	670066.08	620057.40	620058.74	620167.45
ACM 25-6	230/50/1	Cubigel GL 80PB	670097.08	620057.35	620058.65	–
		U.H. AE Z4425Y	670066.09	620057.32	620058.64	–

Modello	Bobina valvola gas caldo	Ass. pompa	Ass. ventilatore
ACM 25-2	620306.48	620433.01	620419.00
ACM 25-6	620306.48	620433.00	620419.00