

## ECOVENT PRO - P

### VENTLESS EXHAUST SYSTEM SPECIFICATION SHEET

- ▶ Air filtration system to be provided to allow electric cooking where a ducted system is not available
- ▶ 3ea front cup 5-micron UL1046 certified coil pack filters
- ▶ Led strip light
- ▶ 3ea rear mount active carbon filters
- ▶ Base stand included



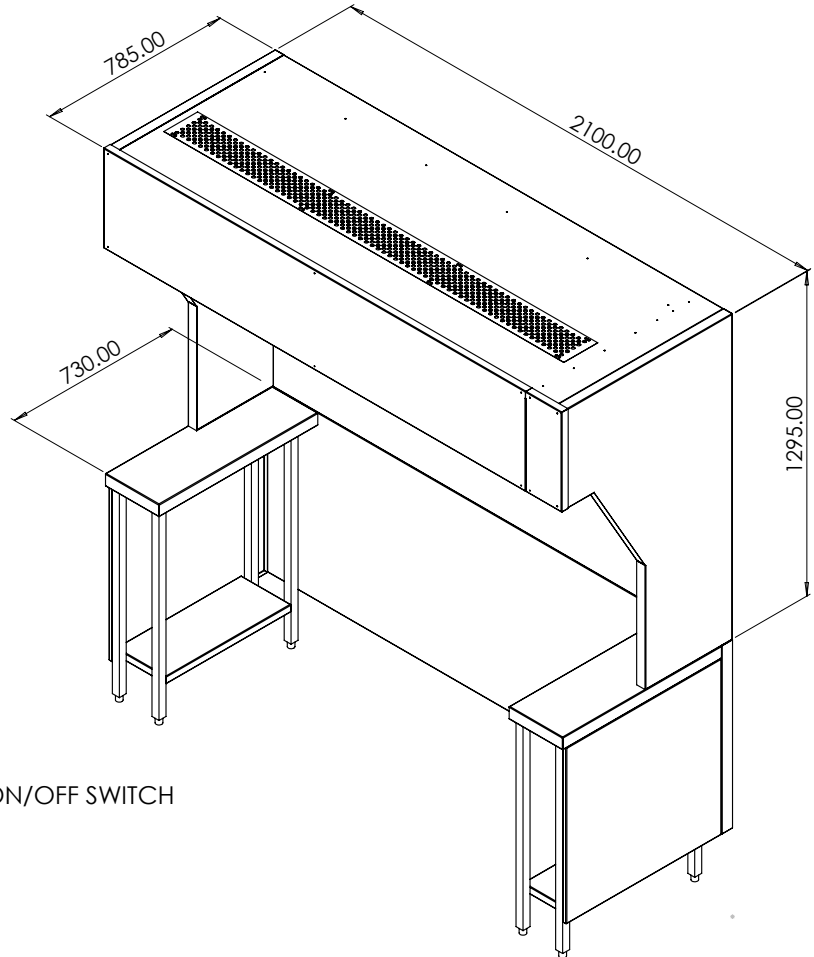
- 1.2m clearance required on sides and front
- Corner mounting not recommended
- Minimum background natural or mechanical ventilation of 70 L/s per unit must be provided
- Appliances footprint must not exceed 20% of room space
- Ventilation and filtration must remain as per design, please refer to certification for detail
- Mounts to our standard 2,100mm frame/bench (included)
- The unit is suitable for up to 1,600mm of 700 series (max depth 730mm) electric only cooking equipment
- Not suitable for High grease and steam producing equipment such as Bratt pans and Chargrills
- Copy of certification available on request
- 2 m cable with 10 A plug

*It is the responsibility of the mechanical designer/ contractor and owner/ operator to ensure that the environmental requirements including, but not limited to natural and mechanical ventilation, effluent management etc within the space meet the relevant codes.*

# ECOVENT PRO - P

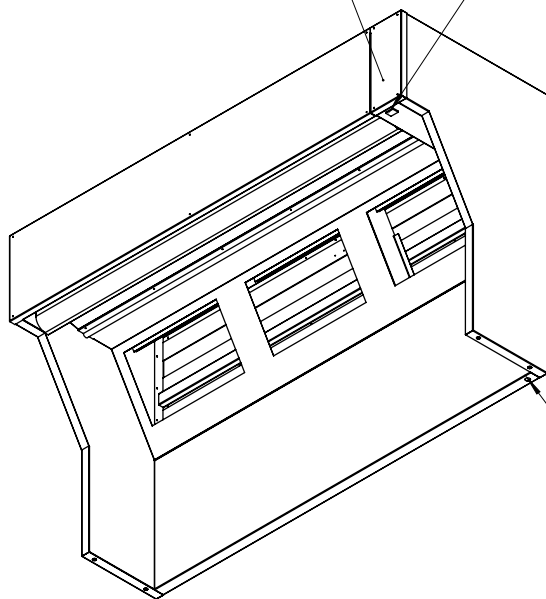
## VENTLESS EXHAUST SYSTEM SPECIFICATION SHEET

- **Overall dimensions :**  
2,100 x 785 x 2,195 (h)mm
- **Bench to bench width for appliances:** 1,600mm
- **Weight:** 160KG (hood only excluding filters)
- **Electrical load:** 1KW, (fans and lights only)
- **Electrical load Capacity:**  
Maximum cooking equipment rating 32kw (refrigeration, coffee machines and microwaves are specifically expt from the electrical loads.)



REMOVABLE PANEL FOR SERVICE ACCESS

ON/OFF SWITCH



Ø 13mm CLEARANCE HOLES TO ALLOW M10 NUT AND BOLT TO BENCHTOP

