

Fact Sheet

BIZERBA

GSP H EU

The Bizerba premium gravity feed slicer sets worldwide standards in terms of ergonomics, hygiene, and safety. The machine impresses by its many variation options.



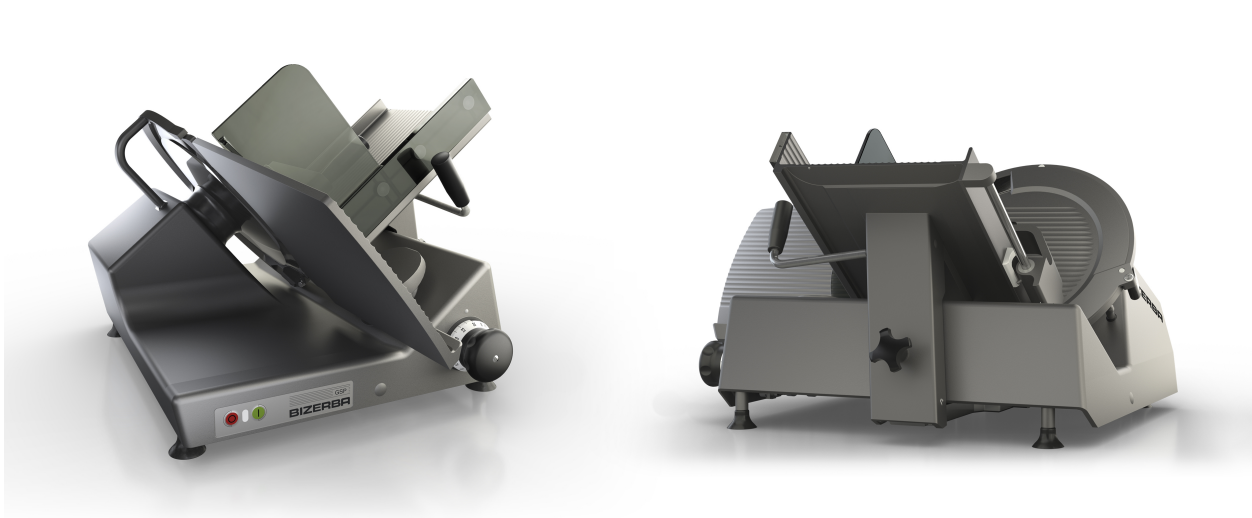
More information
High performance
with a wide range of
solutions and options.

Specifications	Facts	Details
Dimensions		Model
Outer dimensions (L x B x H)	745 x 566 x 453 mm / 29.3" x 22.3" x 17.8"	350, Premium 0°
	762 x 587 x 505 mm / 30.0" x 23.1" x 19.9"	330, Premium 18°L
	762 x 593 x 563 mm / 30.0" x 23.3" x 22.2"	330, Premium 25°L
	757 x 579 x 585 mm / 29.8" x 22.8" x 23"	330, Premium 25°H
Installation area (L x B)	532 x 478 mm / 20.9" x 18.8"	350, Premium 0°
	532 x 444 mm / 20.9" x 17.5"	330, Premium 18°L
	532 x 478 mm / 20.9" x 18.8"	330, Premium 25°L
	532 x 478 mm / 20.9" x 18.8"	330, Premium 25°H
Work area (L x B x H)	783 x 774 x 563 mm / 30.9" x 30.5" x 22.2"	350, Premium 0°
	802 x 797 x 601 mm / 31.5" x 31.4" x 23.7"	330, Premium 18°L
	810 x 909 x 563 mm / 31.9" x 35.8" x 22.2"	330, Premium 25°L
	810 x 915 x 585 mm / 31.9" x 36.0" x 23.1"	330, Premium 25°H
Electrical data		
Power consumption	120 V; 60 Hz; 3 A	1-phase alternating current
	230 V; 50 Hz; 1,79 A	1-phase alternating current
	100-120 V; 50/60 Hz; 1 A	1-phase alternating current with Emotion®
	220-240 V; 50/60 Hz; 1,79 A	1-phase alternating current with Emotion®
IP rating	IP 33	
Performance data		
Product size		Model
Quadratic W x H	246 x 290 mm / 9.7" x 11.4"	350, 0°
	188 x 290 mm / 7.4" x 11.4"	330, 18°L
	160 x 290 mm / 6.3" x 11.4"	330, 25°L
	126 x 290 mm / 5.0" x 11.4"	330, 25°H
Round Ø	260 mm / 10.2"	350, 0°
	235 mm / 9.3"	330, 18°L
	228 mm / 9"	330, 25°L
	202 mm / 7.95"	330, 25°H
Blade Ø	330 mm / 13"	18°L; 25°L; 25°H
	350 mm / 13.8"	0°
Blade speed	160-300 rpm.	Adjustable via HMI
	250 rpm	Use Emotion®
	330 rpm	Standard
Blade alignment	40° inclination	
Slice thickness	0-24 mm / 0 - 0.94"	Infinitely adjustable

	0-3 mm / 0 - 0.1"	Fine adjustment
Carriage angle	0°, 18° or 25°	
Housing materials	Anodized aluminum Bizerba Ceraclean® Plastics	
Weight		
Machine weight	Approx. 43 kg / approx. 95 lb	
Packaging data		
Dimensions (L x W x H)	820 mm x 700 mm x 823 mm / 32.3" x 27.6" x 32.4"	
Packaging weight	Approx. 50 kg / approx. 110 lb	

Options	Facts	Details
Integrated portion scale	0-3000 g / 0-6 lb	Weighing range
	2 g / 0.005 lb	Interval
Integrated metrologically approved scale	0-3000 g and 0-6000 g / 0-6 lb and 0-15 lb	Weighing range
	1 g and 2 g / 0.002 lb and 0.004 lb	Interval

Info graphics

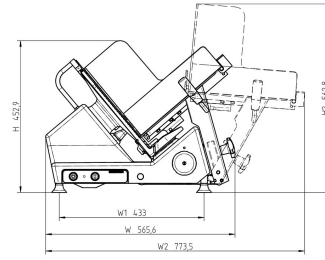
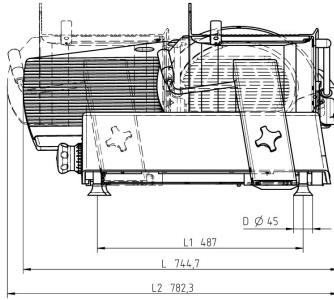


Symbols

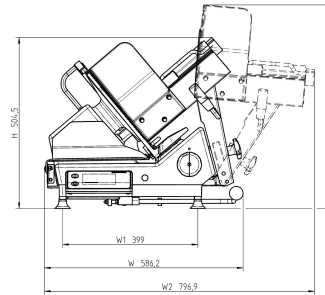
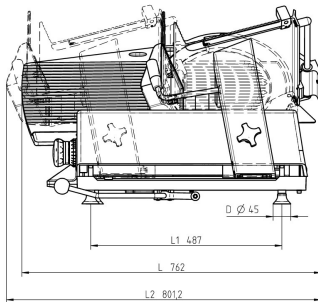


CE

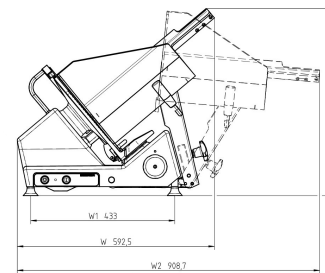
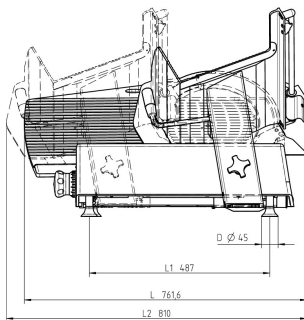
Dimensional drawings



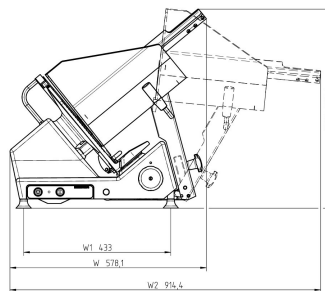
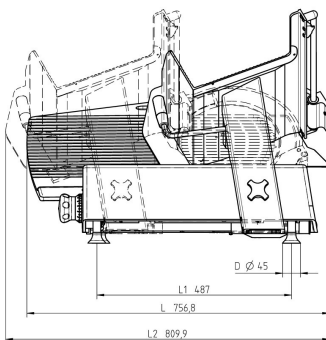
GSP H 0°H



GSP H 18°L



GSP H 25°L



GSP H 25°H

Bizerba SE & Co. KG

Wilhelm-Kraut-Straße 65
72336 Balingen

T +49 7433 12-0
F +49 7433 12-2696
marketing@bizerba.com

www.bizerba.com