

TECHNICAL DATA SHEET

ICP

Multi-functional device for strip cutting and tenderising of meat also for industrial continuous operation. Perfect all-round protection and easy handling allow fatigue-free operation. Perfectly suitable for daily use also in the gastronomy business.



The ICP is intended for daily use in all food processing companies. The strip cutter and tenderiser inserts optimised for hygienic design, refine meat and sausages as well as fruit and vegetables for salads and pan-fried dishes. The ICP stands out in terms of performance and precision, reliability and flexibility. Using the unique Emotion® drive concept, this multifunctional device is not only efficient and quiet but also suitable for continuous operation with automatic product feeding.

Highlights

Multi-functional device also for industrial continuous operation

Strip cutting, tenderising and knitting with a single device

Compact, tilt-proof

Quick and easy, tool-free removal of cutting sets for cleaning

Cutting sets made of solid material for perfect hygiene and cleanliness

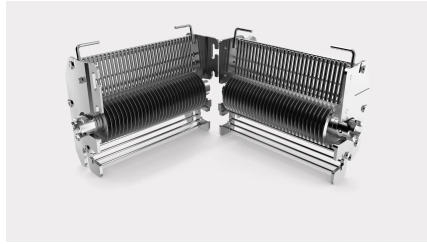
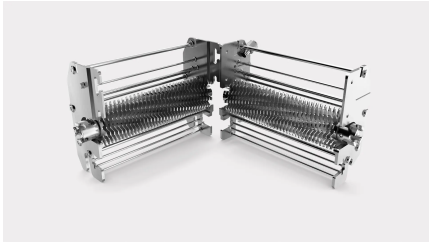
Plastic protective cover ensures high visibility and maximum safety

Large and seamlessly integrated feed opening for the simple and productive feed-through of even big products

Direct cutting into a gastronorm tray or other containers

Applications

- ✓ **The ICP is intended for daily use in all food processing companies such as in butcheries, kitchens or in the hotel industry.**



Technical Data

Specifications**Facts****Details**

Dimensions & weight

Material

Plastic
stainless steel

Performance data

Voltage variants

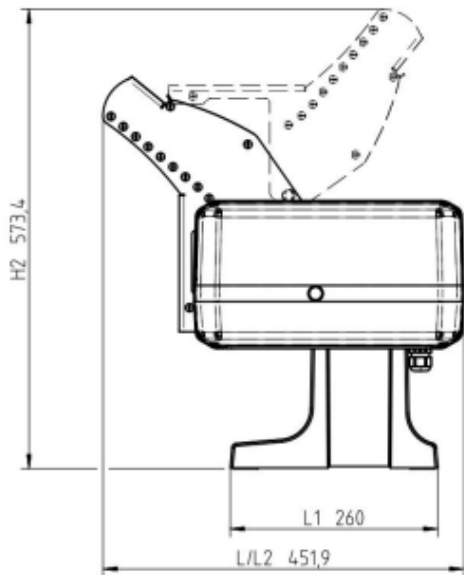
400 V

Ambient conditions

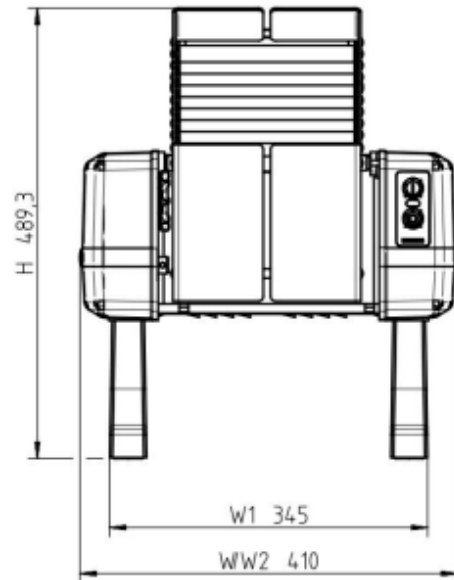
Protection class

IP33

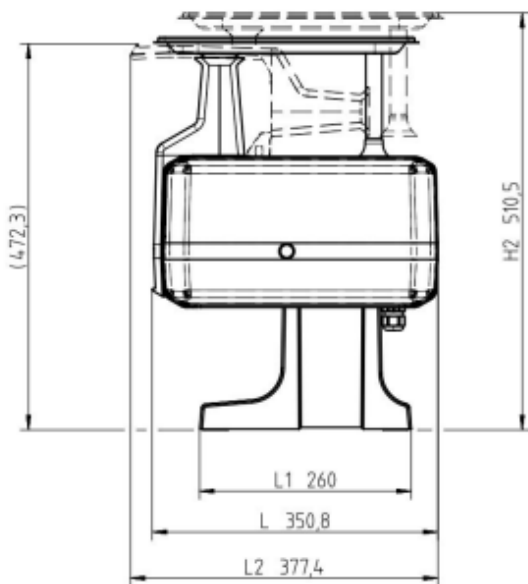
Dimensional Drawings



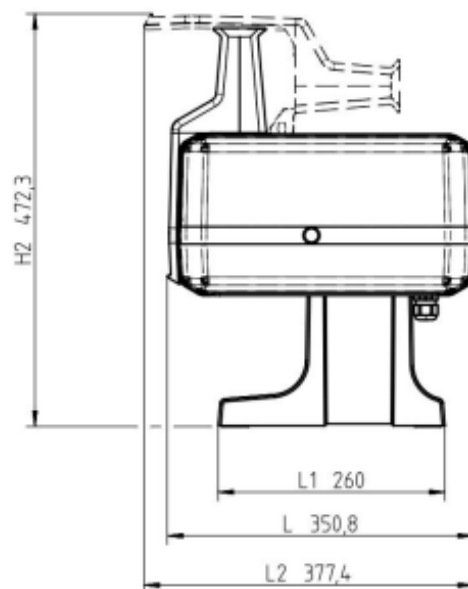
ICP with feeder chute



ICP with feeder chute



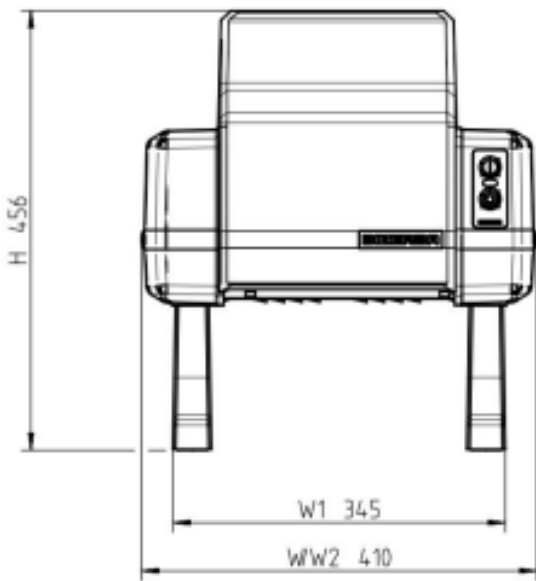
ICP with feed pan



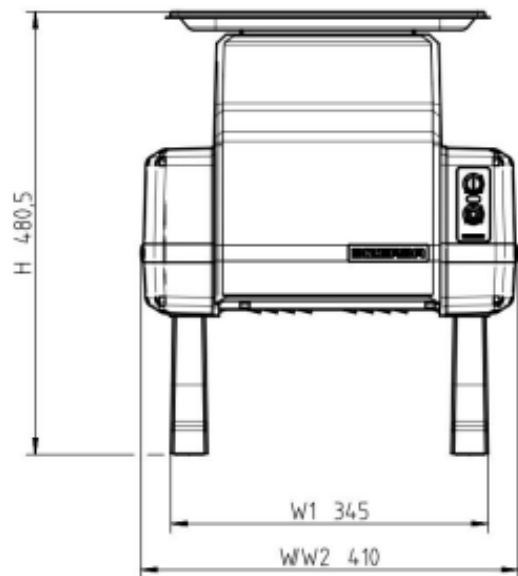
ICP standard model

Product images and technical information may vary and may not be available in your country.

Dimensional Drawings



ICP standard model



ICP with feed pan

**Symbols
and
Icons**



Product images and technical information may vary and may not be available in your country.

Bizerba: Everything from a single source

01
Hardware

02
Software

03
Labels

04
Service

05
Financing

SOUNDS GOOD?

Contact our solution specialists

Schedule a non-binding appointment or request more information.

Bizerba UK Ltd
Precedent Drive, Milton Keynes
MK13 8PE

+44 (0)1908 682740
info@bizerba.co.uk

bizerba.com



More Information