

BLAST CHILLER / FREEZER 8 GN 1/1 (CHILLING CAPACITY +90°/+3°C KG 25 - FREEZING CAPACITY +90°/-18°C KG 16)

Model: PBF081AF-ADX



General characteristics

THE SIMPLE-SERIES CONTROLLER IS CONCEIVED SPECIFICALLY FOR CUSTOMERS WHO WANT A UNIT THAT IS SIMPLE TO OPERATE BUT STILL GIVES THEM FULL CONTROL. Easy to use it serves to blast chill or freeze the product either on a time basis or by monitoring the product's core temperature by means of the needle probe. Defrosting can be started by the user only when it is actually needed, thus meeting the need for increasingly energy efficient equipment.

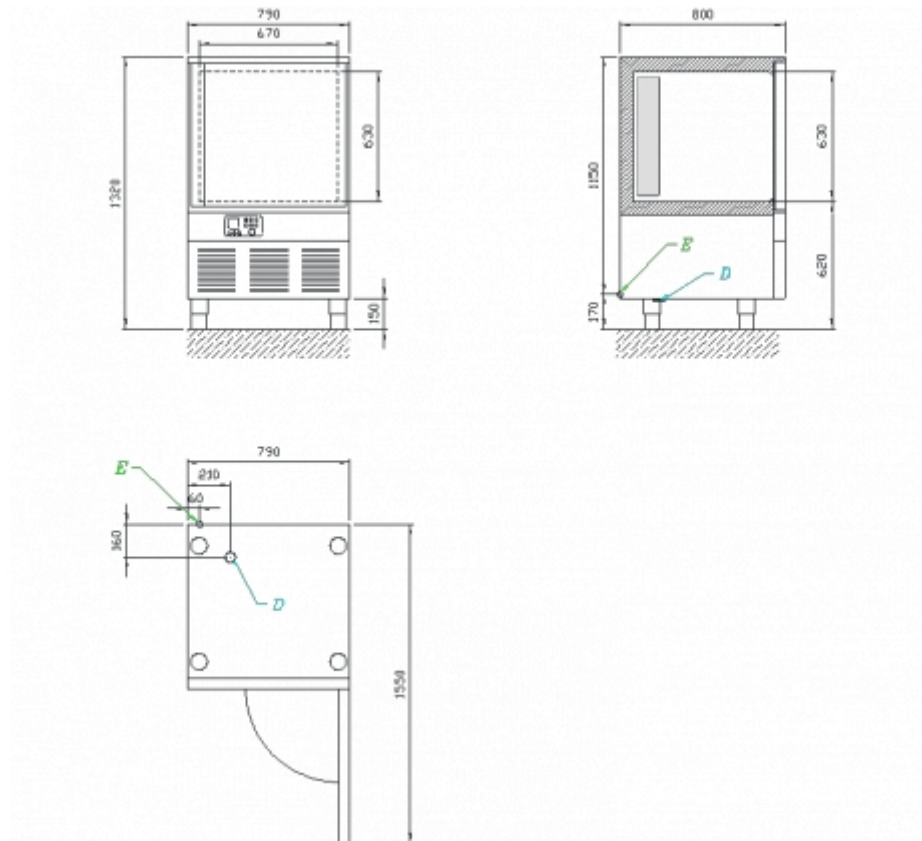
Technical/functional Characteristics

- Blast chillers/freezers with electronic control, forced-air, entirely made of in AISI 304 18/10 both internally and externally.
- Control board with display. It is possible to memorize till 100 programmes (mod. SIMPLE).
- Monobody construction.
- Capacity GN 1/1.
- Core-probe at single point to measure the blast-chilling and freezing temperature.
- External satined finishing type SCOTCH-BRITE.
- 60 mm insulation with CFC and HCFC-free polyurethane with density 42 kg/m3.
- Ecological refrigerant R404A.
- Automatic defrost and evaporation of condensate water without waste of electric energy.
- High store capacity compartments, with rounded edges to make cleaning easy.
- Ergonomic handles and magnetic perimetral seals.
- Height adjustable legs (Ø 2") made of AISI 304 18/10 s/s.
- Self closing doors with still position at 100°.
- Slot-in type shelves supports and racks made of s/s, easily extractable without any tools to foster cleaning.
- Drainhole provided with cap.
- Climatrical class "T" (Ambient temperature: +43°C).
- Full CE compliance.
- Build to comply with HACCP regulations.

TECHNICAL DATA

DIMENSIONS	
WIDTH (MM)	790
DEPTH (MM)	800
HEIGHT (MM)	1320
CAPACITY	8 GN1/1
DIMENSIONE CELLA (MM)	670x460x630
TEMPERATURA DI LAVORO	-

ELECTRIC CONNECTION (V~/HZ)	220
COLD WATER CONNECTION (Ø)	-
DRAIN (Ø)	40 mm
POTENZA FRIGORIFERO	1300
ELECTRIC POWER (KW)	2000
CAPACITA' ABBATTIMENTO +90/+3 °C (KG)	-
CAPACITA' CONGELAMENTO +90/-18 °C (KG)	-



ACCESSORIES

KIT SUPPORT FOR LIQUID
BAKING TRAY GN1/1
SHELVE GN1/1
KIT 4 CASTORS FOR BLAST CHILLER
KIT OF GERMICIDAL LAMP