



MODULINE

foodfinish & foodserve technologies

REGENERATING AND HOLDING SYSTEMS



RRT101M/E

Regenerating and holding ventilated trolley

CONSTRUCTION FEATURES

- Tightness chamber with radiused corners
- Rubber bumpers
- Total thermic insulation with rock or glass wool
- Long lasting front seals made up of food grade of high heat resistance
- Removable side racks to facilitate cleaning
- Internal drain for easy cleaning
- Ventilated heating provided by high efficiency protected heating elements
- Snap-shut door
- Mounted on four 125mm diameter castors, two of which with brake
- Ergonomic handles for pushing and guiding
- Easy access to facilitate maintenance and repair

FUNCTIONAL FEATURES

- Control panel of temperature, time and humidity electromechanical (M) or electronic with LCD touch-screen (E)
- Simplified, user-friendly controls
- Operating temperature 30°C ÷ 160°C
- Manual humidity vent
- Periodic reversal of direction of rotation of the fans for better air distribution
- Concealed water storage tank
- End-of-cycle buzzer
- Chamber with safety thermostat
- Delayed start timer only for E version

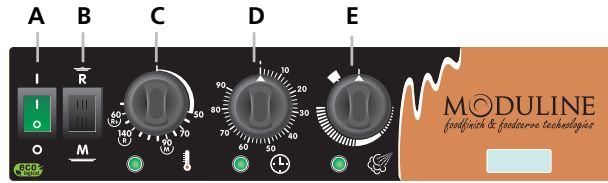
STANDARD SUPPLY

- Removable GN1/1 or 600x400 tray racks

OPTIONS & ACCESSORIES

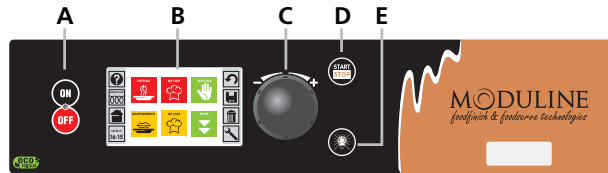
- Core probe for E version with the possibility to register 30 different temperatures and save them in the HACCP report (available only with USB port device)
- Automatic humidity vent (Climachef) only for E version
- Stainless steel plate baskets
- USB port saving device HACCP only for E version

Model	Overall dimensions (W x D x H) - mm	Trays capacity	Plates capacity Plates ø 230-260	Power kW	Power supply
RRT101M/E	880 x 785 x 1270 h	10 x GN1/1 o 600x400	20	6,5	3N AC 400V 50 Hz



Version M - With electromechanical control

- A ON/OFF switch
- B Mode selection switch for regenerating "R" on plate or keeping warm "M" on plate or tray
- C Temperature regulation knob, with warning light to show that temperature has been reached
- D Regenerating time regulation knob, with warning light indicating operation. By selecting "keeping warm" "M" the "time" function is cut out
- E Humidity regulation knob, with warning light indicating operation



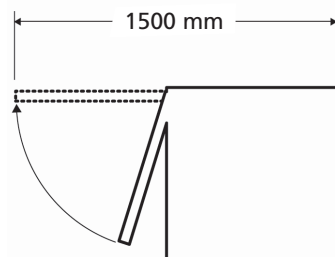
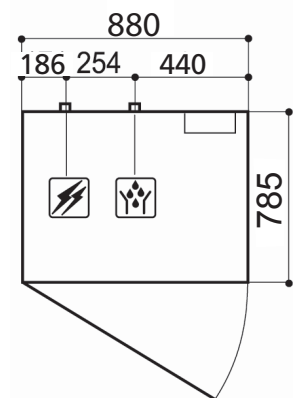
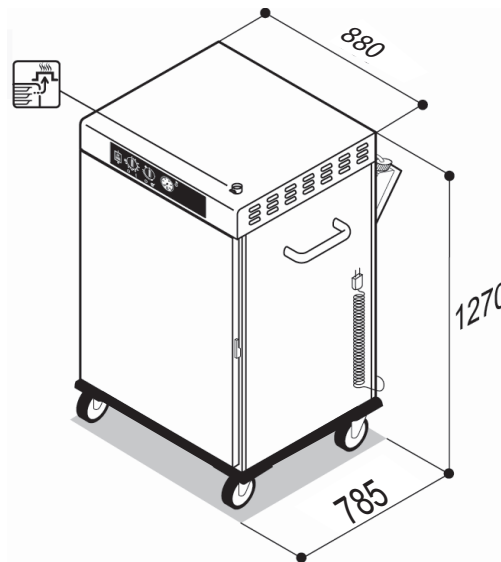
Version E - Electronic control and programmer

- A ON/OFF switch
- B Display
- C Setting knob and select "ENTER"
- D Push-button "START/STOP"
- E Push-button cooking chamber lighting

Model	Rated voltage [Vac]	Total input [kW]	Amps. [A]	Connecting wire min. section (type H07 RN-F) [mm ²]
RRT101M/E	3N - 400	6,5	9,4	5 x 1,5

TECHNICAL INSTALLATION DIAGRAM

RRT101M/E



- Electricity supply cable inlet
- Adjustable vent for release of excess humidity
- Chamber drain