



# MODULINE

*foodfinish & foodserve technologies*

**HSW011E • HSW012E • HSW013E**

Static holding cabinet with drawers

HOLDING SYSTEMS



### CONSTRUCTION FEATURE

- Tightness chamber with radiused corners
- Drawer's guides AISI 304 18/10 stainless steel
- Total thermic insulation with rock or glass wool
- Long lasting drawers seals made up of food grade of high heat resistance
- Static heating provided by low consumption wire heating element that coils up all the chamber
- Handles to carry by hand

### STANDARD SUPPLY

- Removable GN1/1 tray racks

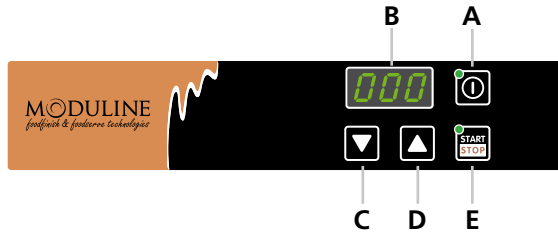
### FUNCTIONAL FEATURES

- Electronic control of the temperature
- Operating temperature 30° ÷ 120°C
- Two humidity vents : on the drawer and rear wall
- Designed for stacking
- Chamber with safety thermostat

### OPTIONS & ACCESSORIES

- No

Model	Overall dimensions (WxDxH)	Tray capacity (00) space between	Power - kW	Power supply
HSW011E	660x585x294h	1 x GN 1/1 (150h)	0,7	AC 230V 50Hz
HSW012E	660x585x505h	2 x GN 1/1 (150h)	1	AC 230V 50Hz
HSW013E	660x585x716h	3 x GN 1/1 (150h)	1	AC 230V 50Hz




### Electronic control with programmer


- A** ON/OFF switch
- B** Display
- C** Temperature decrease key
- D** Temperature increase key
- E** START/STOP key

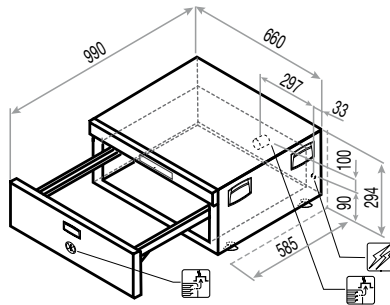
Model	Rated voltage [Vac]	Total input [kW]	Amps. [A]	Connecting wire min. section (type H07 RN-F) [mm <sup>2</sup> ]
HSW011E	230	0,7	3,1	3 x1
HSW012E	230	1	4,4	3 x1
HSW013E	230	1	4,4	3 x1

Model	Working temperature [°C]	Containers capacity: distance [mm]	Containers max. height [mm]	Product max. capacity [kg]	Net weight [kg]
HSW011E	30 ÷ 120	1 x GN 1/1	150 (h)	6	31
HSW012E	30 ÷ 120	2 x GN 1/1	150 (h)	12	48
HSW013E	30 ÷ 120	3 x GN 1/1	150 (h)	18	67

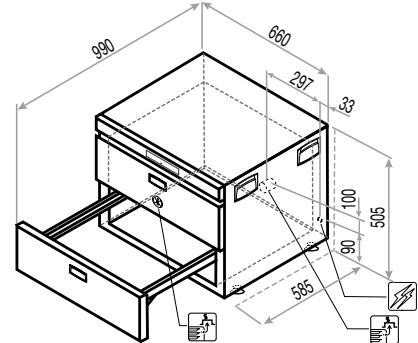
### TECHNICAL INSTALLATION DIAGRAM

Electricity supply cable inlet 

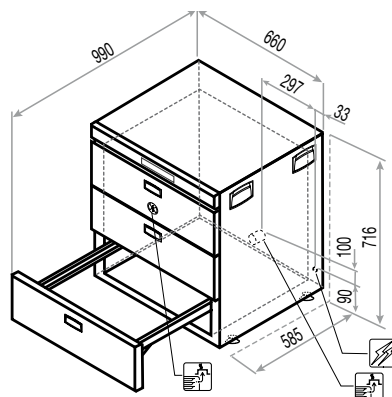
Adjustable vent for release of excess humidity 



**Model HSW 011E**



**Model HSW 012E**



**Model HSW 013E**

