



# MODULINE

foodfinish & foodserve technologies

## HSH031E • HSH051E

Static holding cabinet

HOLDING SYSTEMS



**HSH031E**



**HSH051E**

### CONSTRUCTION FEATURES

- Tightness chamber with radiused corners
- Total thermic insulation with rock or glass wool
- Long lasting door seals made up of food grade of high heat resistance
- Static heating provided by low consumption wire heating element that coils up all the chamber
- Handles to carry by hand

### FUNCTIONAL FEATURES

- Electronic control of the temperature
- Operating temperature 30°C ÷ 120°C
- Two adjustable humidity vents : on the door and rear wall

- Designed for stacking
- Reversible door
- Suction feet
- Chamber with safety thermostat

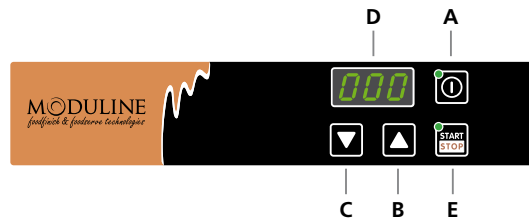
### STANDARD SUPPLY

- Removable GN1/1 tray racks

### OPTIONS & ACCESSORIES

- No

| Model          | Overall dimensions (WxDxH) | Trays capacity | Power kW | Power supply |
|----------------|----------------------------|----------------|----------|--------------|
| <b>HSH031E</b> | 450x635x400h               | 3 GN1/1        | 0,7      | AC 230V 50Hz |
| <b>HSH051E</b> | 450x635x550h               | 5 GN1/1        | 1        | AC 230V 50Hz |



### Electronic control

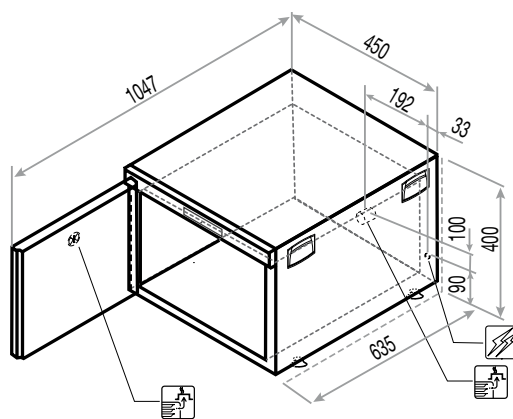
- A ON/OFF switch
- B Temperature increase key
- C Temperature decrease key
- D Display
- E START/STOP key

| Model          | Rated voltage [Vac] | Total input [kW] | Amps. [A] | Connecting wire min. section (type H07 RN-F) [mm <sup>2</sup> ] |
|----------------|---------------------|------------------|-----------|---|
| <b>HSH031E</b> | 230                 | 0,7              | 3,1       | 3 x 1   |
| <b>HSH051E</b> | 230                 | 1                | 4,4       | 3 x 1   |

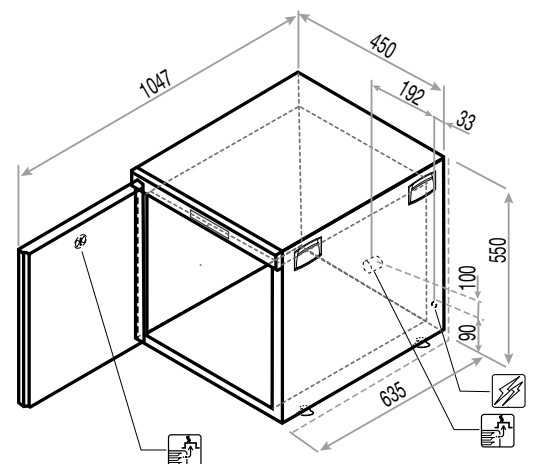
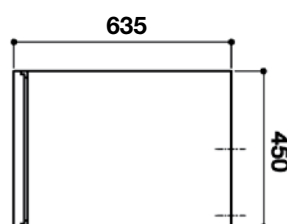
| Model          | Working temperature [°C] | Containers capacity: distance [mm] | Containers max. height [mm] | Product max. capacity [kg] | Net weight [kg] |
|----------------|--------------------------|------------------------------------|-----------------------------|----------------------------|-----------------|
| <b>HSH031E</b> | 30÷120                   | 3 GN1/1 (70)                       | 3 x 65 (h)   1 x 200 (h)    | 10                         | 22              |
|                |                          |                                    | 1 x 150 (h) + 1 x 65 (h)    |                            |                 |
| <b>HSH051E</b> | 30÷120                   | 5 GN1/1 (70)                       | 5 x 65 (h)   2 x 150 (h)    | 15                         | 27              |
|                |                          |                                    | 1 x 200 (h) + 1 x 150 (h)   |                            |                 |

### TECHNICAL INSTALLATION DIAGRAM

- Electricity supply cable inlet
- Adjustable vent for release of excess humidity



**Model HSH 031E**



**Model HSH 051E**

