



# MODULINE

*foodfinish & foodserve technologies*

## HOLDING SYSTEMS

### HHT161E

Static holding trolley



#### CONSTRUCTION FEATURES

- Tightness chamber with radiuses corners
- Rubber bumpers
- Total thermic insulation with rock or glass wood
- Long lasting front and door seals made up of food grade of high heat resistance
- Removable side racks to facilitate cleaning
- Static heating provided by low consumption wise heating element that covers up all the chamber
- Snap-shut doors
- Mounted on four 150 mm diameter castors, two of which with brake
- Ergonomic handle for pushing and guiding
- Easy access to facilitate maintenance and repair

#### FUNCTIONAL FEATURES

- Electronic control of the temperature
- Operating temperature 30°-120°C
- Two adjustable humidity vents on the door
- Chamber with safety thermostat

#### STANDARD SUPPLY

- Removable GN 1/1 tray racks

#### OPTIONS & ACCESSORIES

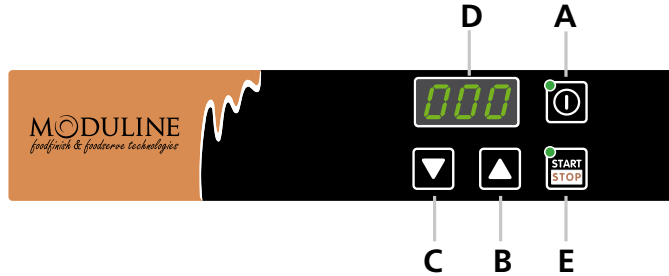
- No



# MODULINE

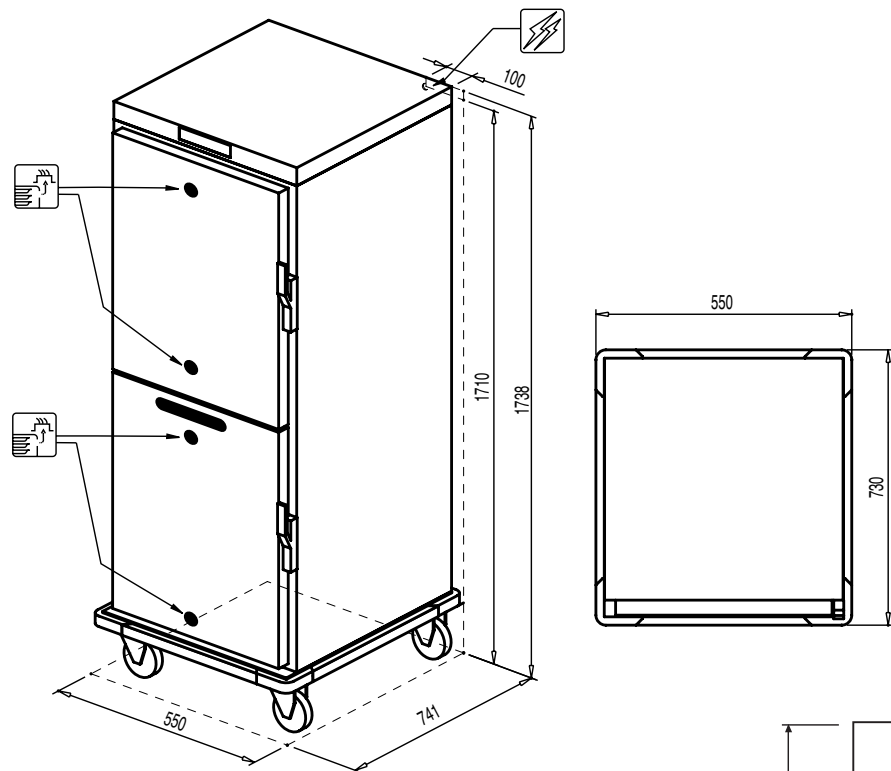
foodfinish & foodserve technologies


HOLDING SYSTEMS




- A ON/OFF switch
- B Temperature increase key
- C Temperature decrease key
- D Display
- E START/STOP key

TECHNICAL INSTALLATION DIAGRAM



Electricity supply cable inlet 

Adjustable vent for release of excess humidity 

| Model          | Overall dimensions (W x D x H) - mm | Trays capacity | Power kW | Power supply     |
|----------------|-------------------------------------|----------------|----------|------------------|
| <b>HHT161E</b> | 550 x 741 x 1738 h                  | 16 x GN 1/1    | 1,5      | AC 230 V / 50 Hz |

