



MODULINE

foodfinish & foodserve technologies

HOLDING SYSTEMS

HHT052E

Static holding trolley



CONSTRUCTION FEATURES

- Tightness chamber with radiuses corners
- Rubber bumpers
- Total thermic insulation with rock or glass wood
- Long lasting front and door seals made up of food grade of high heat resistance
- Removable side racks to facilitate cleaning
- Static heating provided by low consumption wise heating element that covers up all the chamber
- Snap-shut door
- Mounted on four 125 mm diameter castors, two of which with brake
- Ergonomic handle for pushing and guiding
- Easy access to facilitate maintenance and repair

FUNCTIONAL FEATURES

- Electronic control of the temperature
- Operating temperature 30°-120°C
- Two adjustable humidity vents on the door
- Chamber with safety thermostat

STANDARD SUPPLY

- Removable GN 2/1 e GN 1/1 tray racks

OPTIONS & ACCESSORIES

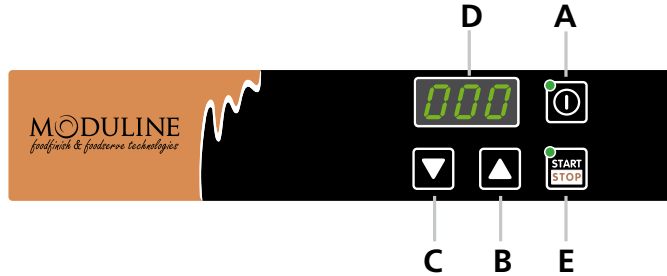
- No



MODULINE

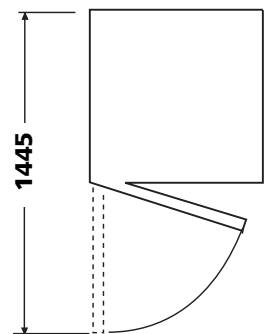
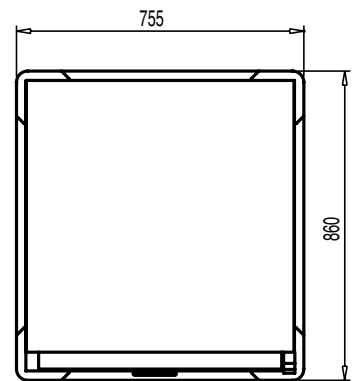
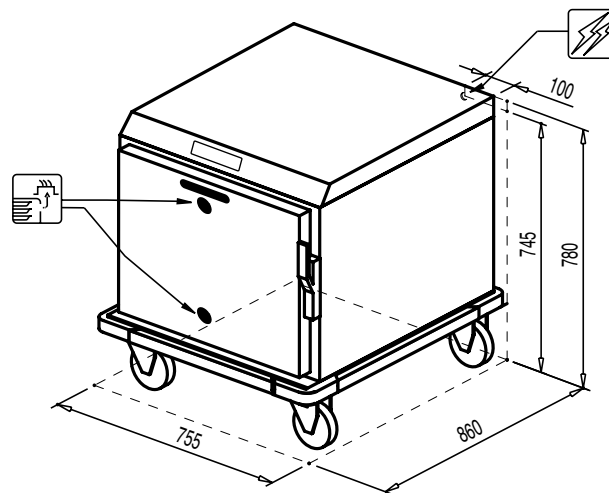
foodfinish & foodserve technologies


HOLDING SYSTEMS




- A ON/OFF switch
- B Temperature increase key
- C Temperature decrease key
- D Display
- E START/STOP key

TECHNICAL INSTALLATION DIAGRAM



Electricity supply cable inlet 

Adjustable vent for release of excess humidity 

Model	Overall dimensions (W x D x H) - mm	Trays capacity	Power kW	Power supply
HHT052E	755 x 860 x 780 h	5xGN 2/1 - 10xGN 1/1	1,5	AC 230 V / 50 Hz