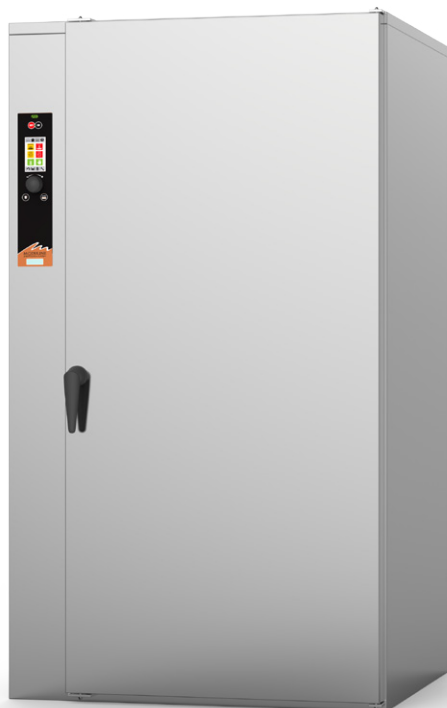




MODULINE

foodfinish & foodserve technologies

REGENERATING AND HOLDING SYSTEMS



HHFF20E

Floor holding cabinet

RRFF20E

Floor regenerating cabinet (on dishes)

CONSTRUCTION FEATURES

- Tightness chamber with radiused corners
- Internal AISI 304 18/10 stainless steel bumpers for trolley's introduction
- Total thermic insulation with rock or glass wool
- Long lasting front seals made up of food grade of high heat resistance
- Ventilated heating provided by high efficiency protected heating elements
- Door fitted with three point locking system
- Easy access to facilitate maintenance and repair

STANDARD SUPPLY

- Climachef

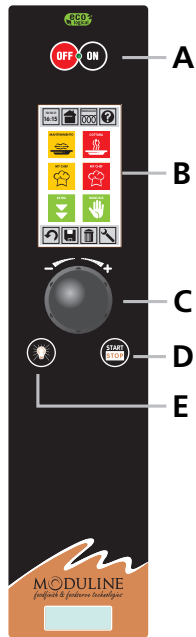
FUNCTIONAL FEATURES

- Electronic control panel of temperature, time and humidity with LCD touch-screen
- End-of-cycle buzzer
- Simplified, user-friendly controls
- Automatic control of the humidity's percentage in the chamber, Climachef system
- Operating temperature: 30°C – 160°C (RRFF 20 E); 30°C – 90°C (HHFF 20 E)
- Automatic humidity vent
- Chamber can accommodate different sized plate or tray rack transport trolleys
- Chamber with safety thermostat
- Delayed start timer

OPTIONS & ACCESSORIES

- Core probe with the possibility to register 30 different temperatures and save them in the HACCP report (available only with USB port device)
- Concealed water storage tank
- USB port saving device HACCP
- GN pans cart
- Plates cart
- Cart thermal cover
- Glass door and lighting

Model	Overall dimensions and oven interior (WxDxH)	Trays capacity	Plates capacity Plates Ø230-310	Power kW	Power supply
HHFF20E	1110x810x1950h / 740x675x1860h	20 x GN 1/1	80	6,2	3N AC 400V 50Hz
RRFF20E	1110x810x1950h / 740x675x1860h	20 x GN 1/1	80	12,5	3N AC 400V 50Hz



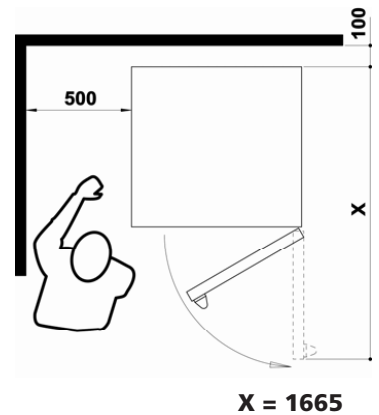
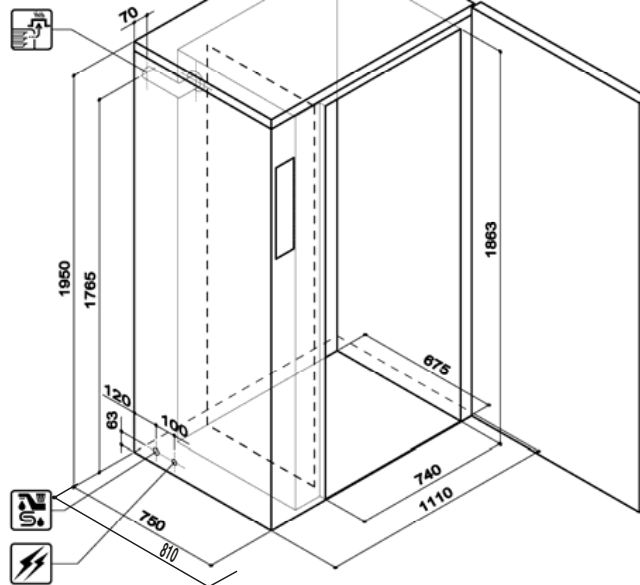
Electronic control and programmer

- A ON/OFF switch
- B Display
- C Setting knob and select "ENTER"
- D Push-button "START/STOP"
- E Push-button cooking chamber lighting

Model	Rated voltage [Vac]	Total input [kW]	Amps. [A]	Connecting wire min. section (type H07 RN-F) [mm ²]	Water pressure [kPa]
HHFF20E	3N - 400	6,2	9	5 x 1,5	150÷500
RRFF20E	3N - 400	12,5	18	5 x 2,5	150÷500

TECHNICAL INSTALLATION DIAGRAM



HHFF20E
RRFF20E



X = 1665



OPTIONAL
Removable tank

- Electricity supply cable inlet 
- Adjustable vent for release of excess humidity 
- Softened water inlet 