

# BASKETT

major line



## Baskett | Tilting Kettles with Mixer

The BASKETT professional pan offers full freedom in programming cooking stages and allows you to quickly transform different raw materials and foods: from mashed potatoes to pastry cream, from boiled rice to jams, as well as broths, soups and boiled meat and vegetable. This type of machine for catering is available with gas, electrical and steam heating, with or without built-in mixer.

## Tilting kettles for large catering services

Flexible and simple, with double walls and built-in mixer, the Baskett line consists of highly professional tilting kettle designed for the large catering services and food production. Thanks to "Cook & Chill" these kettles become ideal tools for cooking even delicate foods.

## INDIRECT GAS HEATING

MODEL	CAPACITY lt	POWER kW	DIMENSIONS mm	NOTES
PR IG 070 M	70	18.5	1255 x 1155 x 1030H	0.8 kW
PR IG 105 M	105	25	1355 x 1200 x 1030H	1 kW
PR IG 130 M	130	30	1355 x 1250 x 1030H	1 kW
PR IG 180 M	180	40	1455 x 1310 x 1030H	1 kW
PR IG 250 M	242	48	1555 x 1390 x 1030H	1.5 kW
PR IG 320 M	301	48	1655 x 1490 x 1030H	1.5 kW
PR IG 500 M	500	58	1755 x 1650 x 1180H	2 kW

1N + PE AC 230V 50/60 Hz



## Baskett can be used for

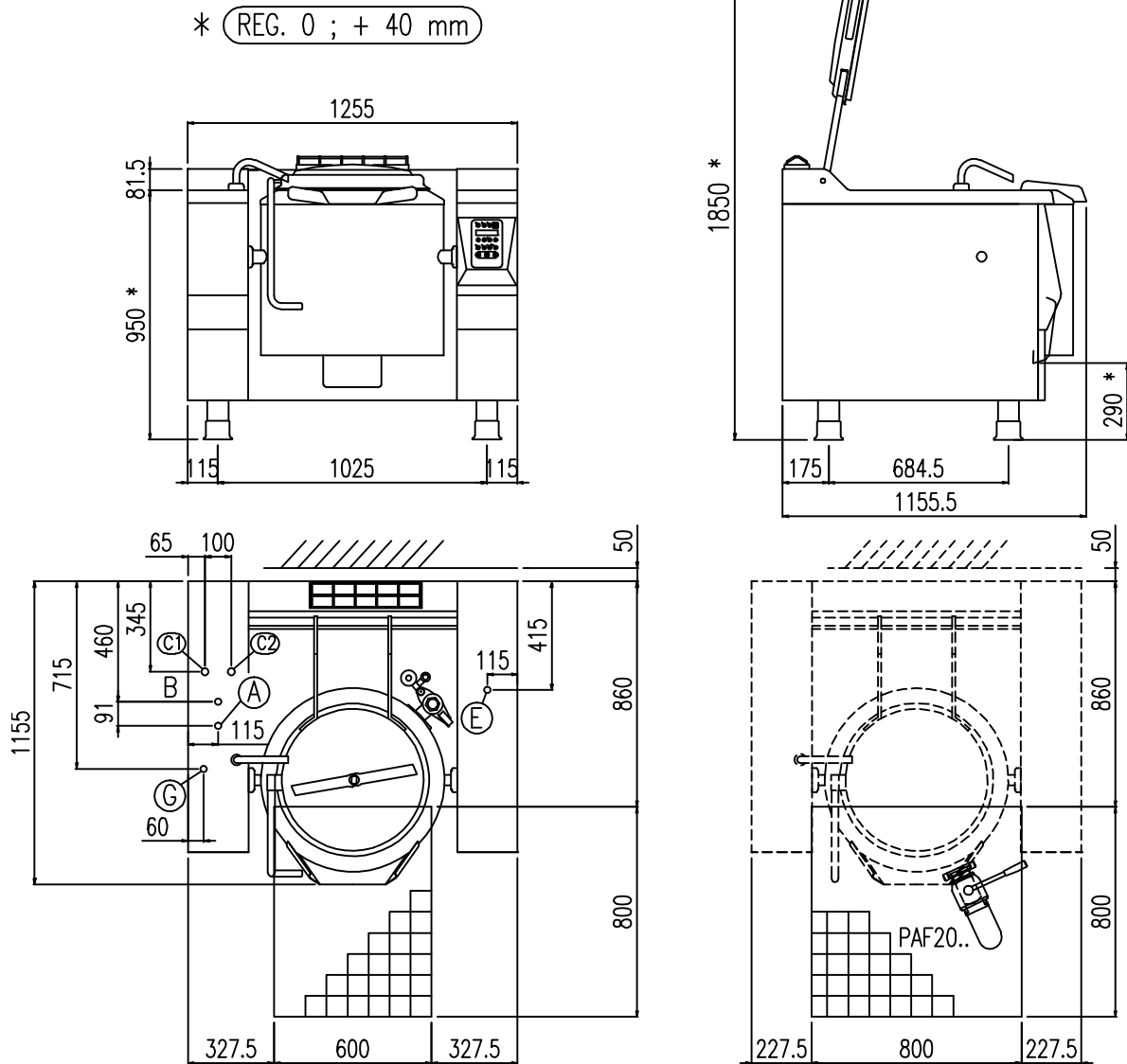
- Thick soups
- Thin soups
- Various types of boiled foods
- Broths
- Pasta
- Rice
- Cold sauces
- Hot sauces
- Polenta
- Potato or vegetable purees
- Bechamel sauce
- Custards
- Puddings
- Jellies
- Dairy-based products

**boiling** | braising | pasteurising | **tilting** | **mixing** | **cooling** | frying | underpressure | vacuum cooking | cutting | washing | drying

# BASKETT

major line

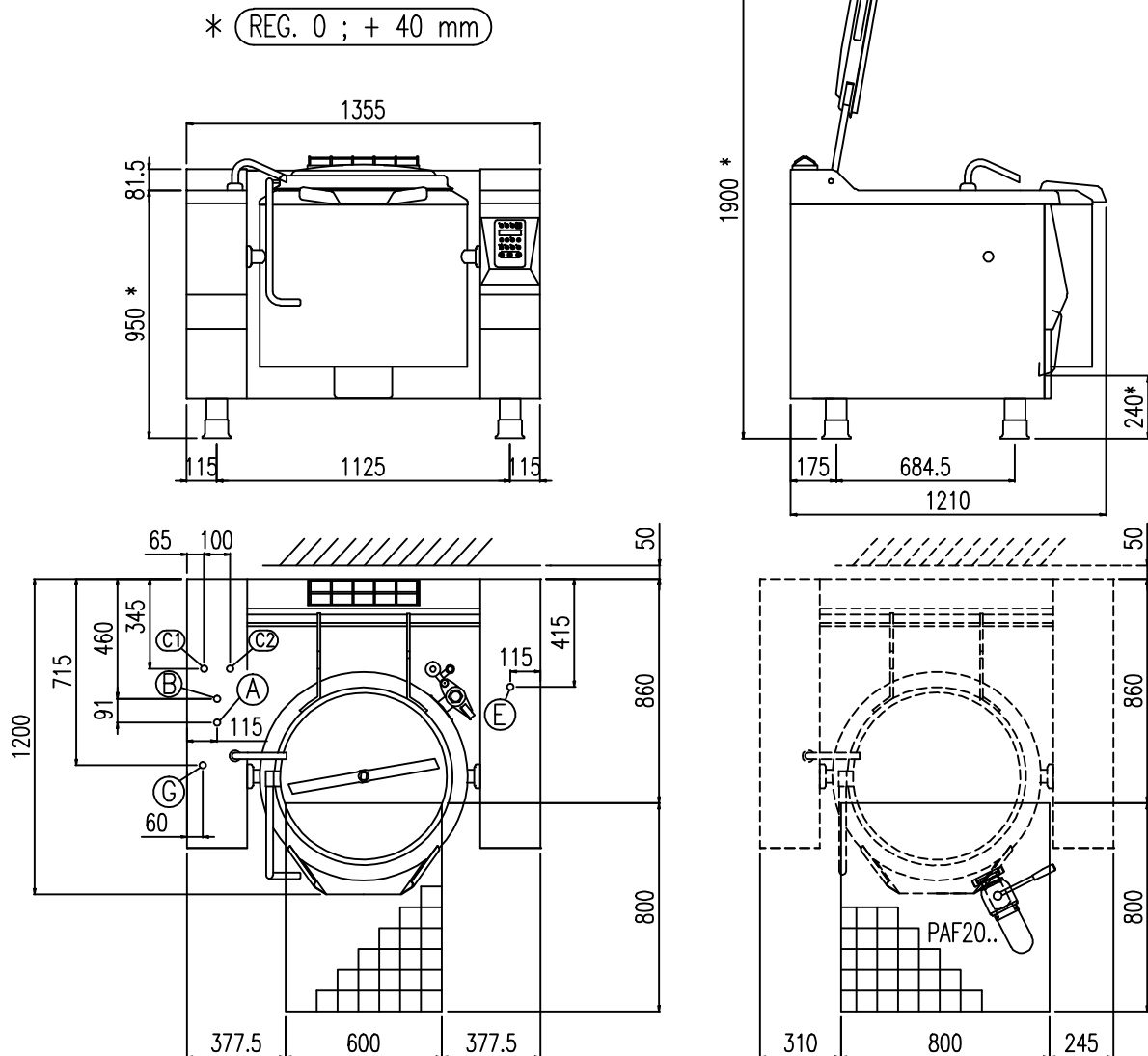
## TECHNICAL DRAWING MOD. PR IG 070 M



# BASKETT

major line

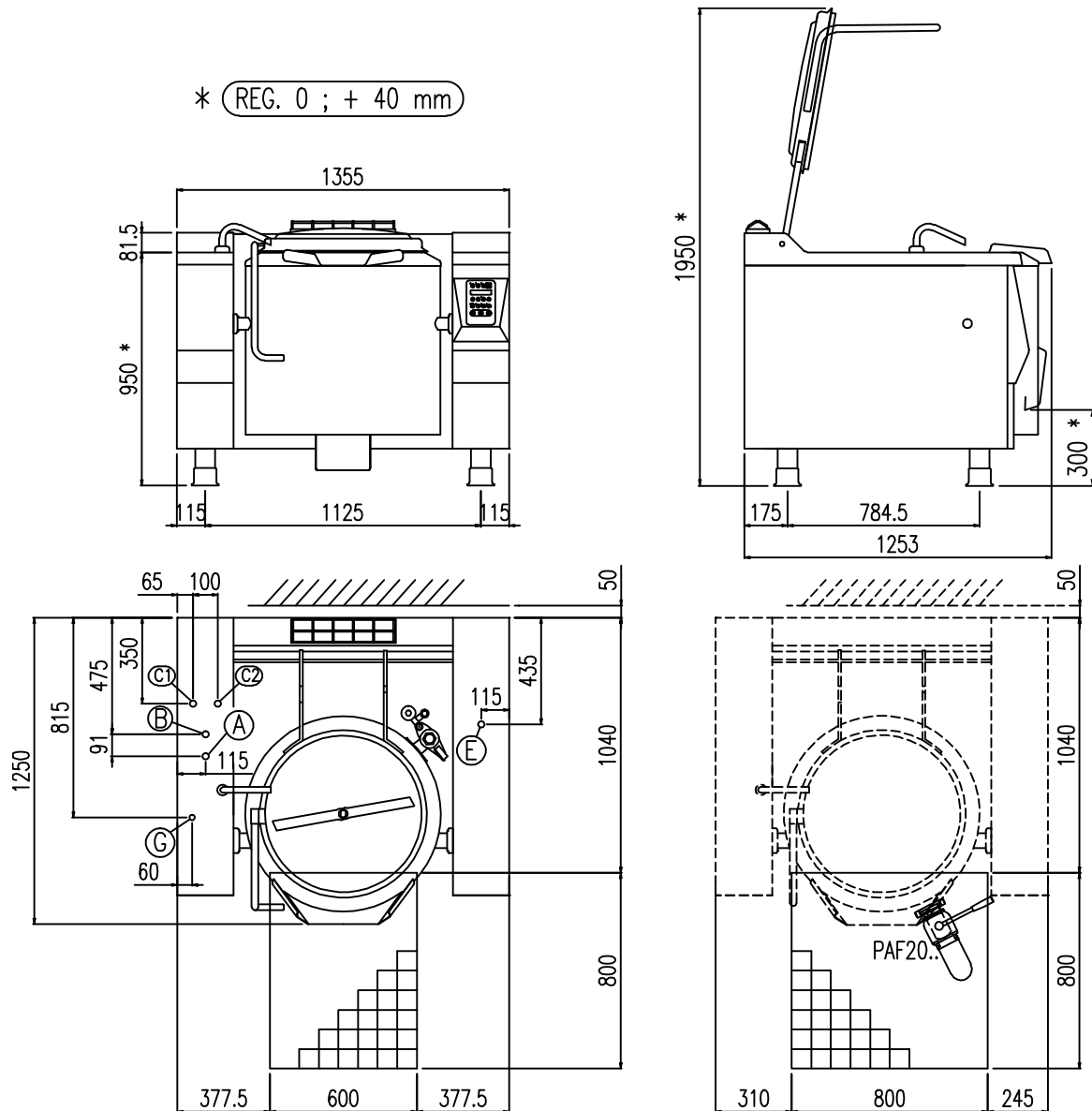
## TECHNICAL DRAWING MOD. PR IG 105 M



# BASKETT

major line

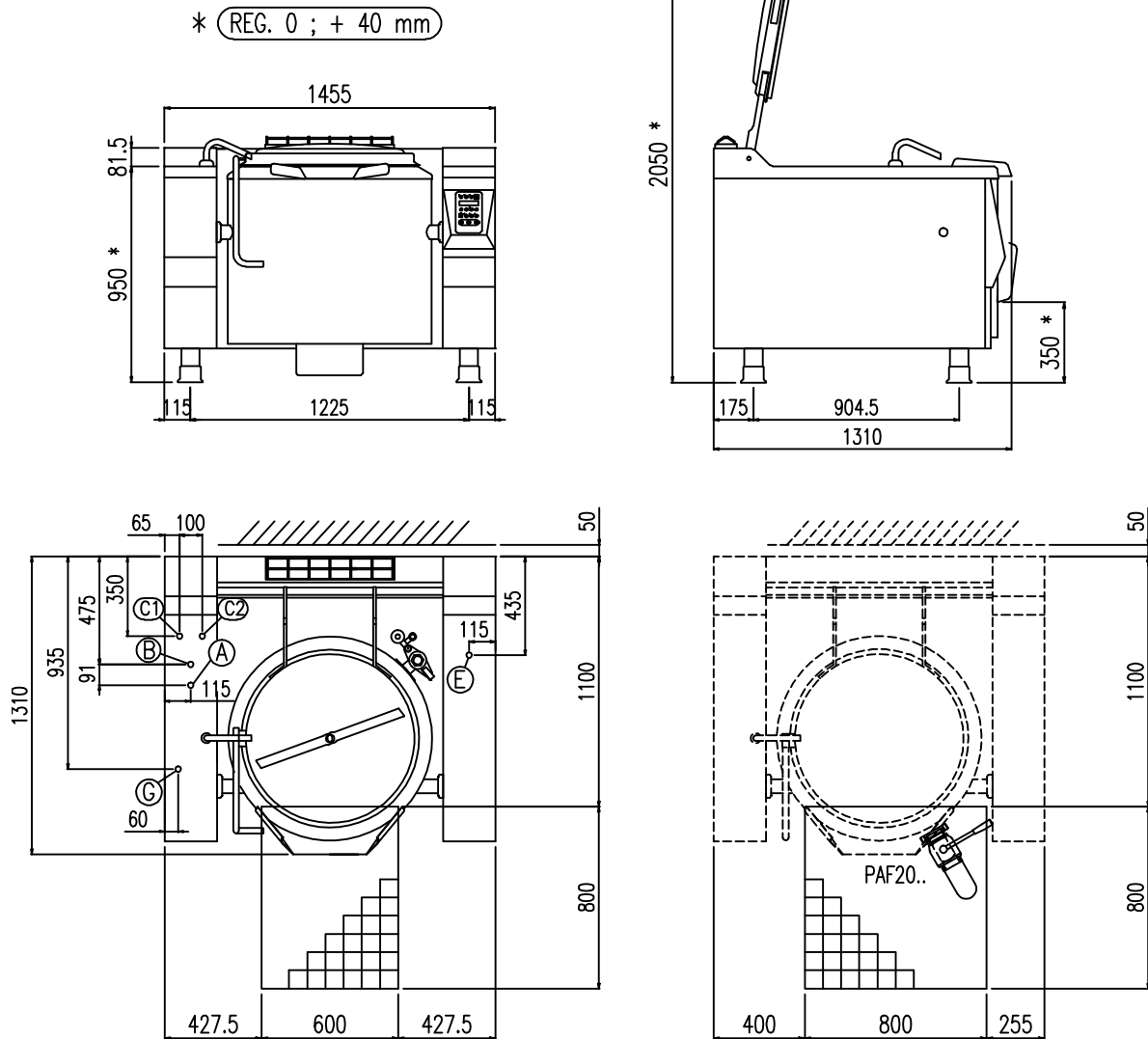
TECHNICAL DRAWING MOD. PR IG 130 M



# BASKETT

major line

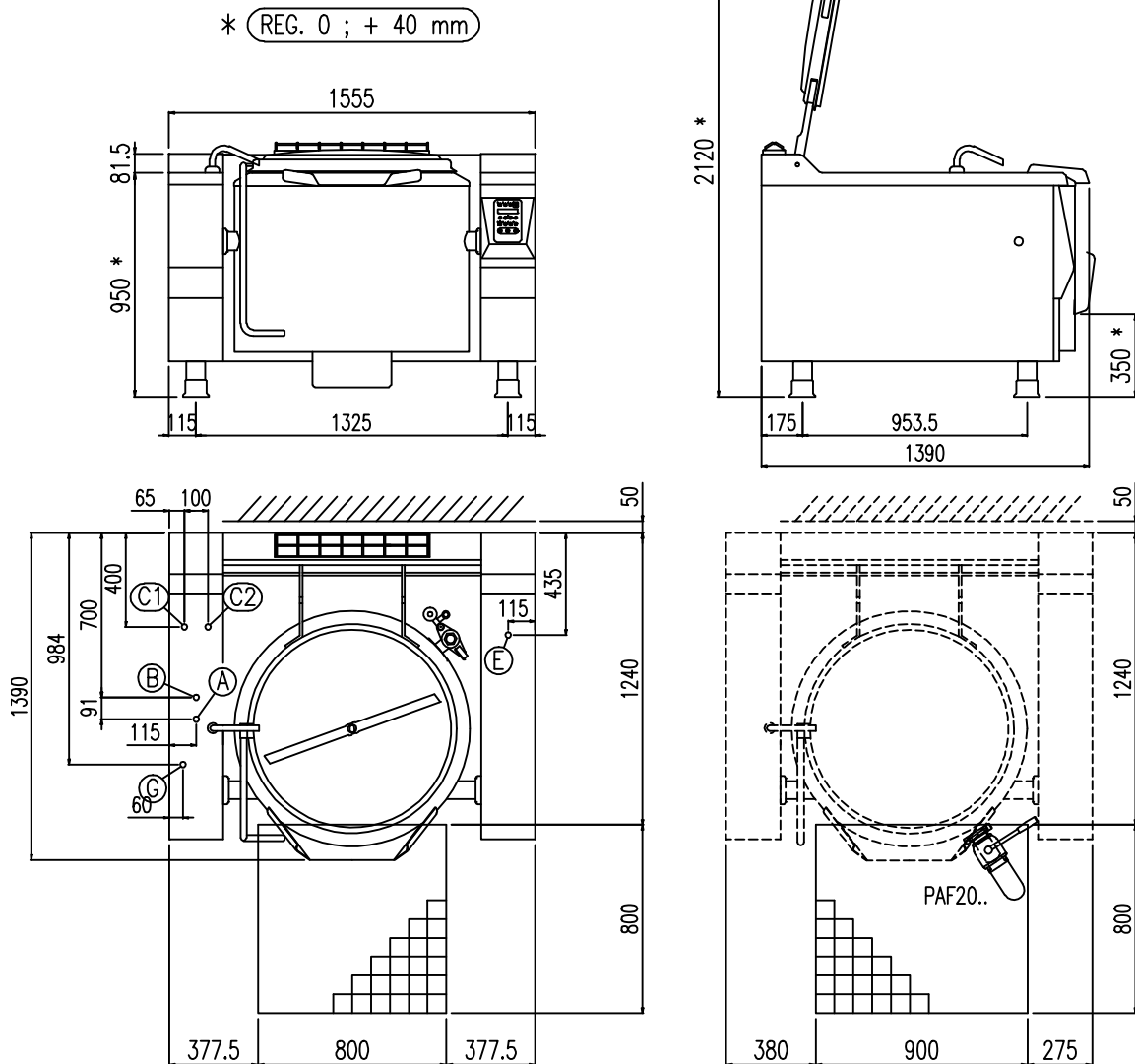
## TECHNICAL DRAWING MOD. PR IG 180 M



# BASKETT

major line

## TECHNICAL DRAWING MOD. PR IG 250 M



# BASKETT

major line

TECHNICAL DRAWING MOD. PR IG 320 M

