

BASKETT

major line



Baskett | Tilting Kettles with Mixer

The BASKETT professional pan offers full freedom in programming cooking stages and allows you to quickly transform different raw materials and foods: from mashed potatoes to pastry cream, from boiled rice to jams, as well as broths, soups and boiled meat and vegetable. This type of machine for catering is available with gas, electrical and steam heating, with or without built-in mixer.

Tilting kettles for large catering services

Flexible and simple, with double walls and built-in mixer, the Baskett line consists of highly professional tilting kettle designed for the large catering services and food production. Thanks to "Cook & Chill" these kettles become ideal tools for cooking even delicate foods.

INDIRECT ELECTRIC HEATING

MODEL	CAPACITY lt	POWER kW	DIMENSIONS mm	NOTES
PR IE 070 M	70	16.5	1255 x 1155 x 1030H	3N + PE AC 400V 50/60 Hz
PR IE 105 M	105	18.6	1355 x 1200 x 1030H	
PR IE 130 M	130	24.6	1355 x 1250 x 1030H	
PR IE 180 M	180	32.6	1455 x 1310 x 1030H	
PR IE 250 M	242	37.5	1555 x 1390 x 1030H	
PR IE 320 M	301	37.5	1655 x 1490 x 1030H	
PR IE 500 M	500	38	1755 x 1650 x 1150H	



Baskett can be used for

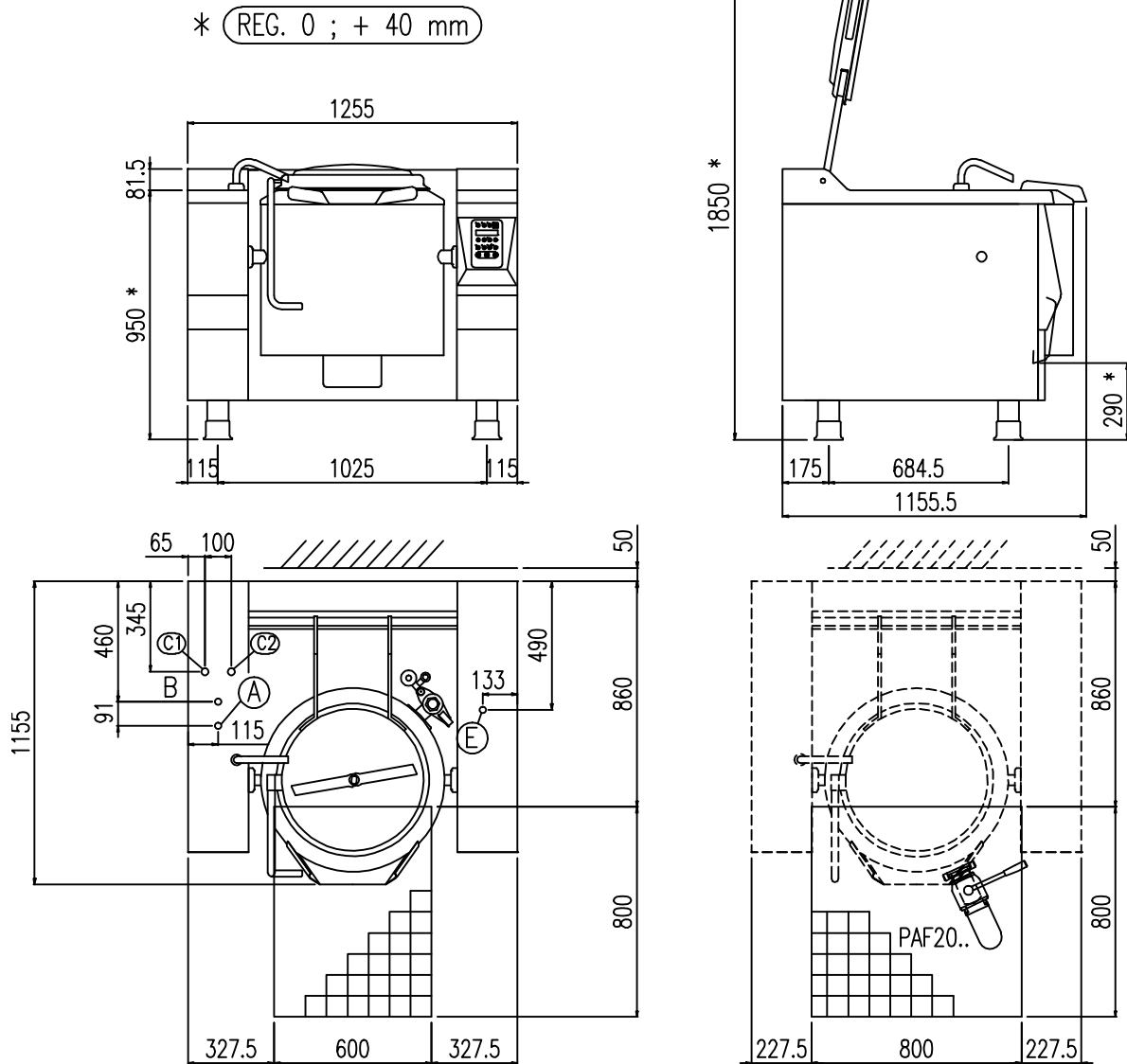
- Thick soups
- Thin soups
- Various types of boiled foods
- Broths
- Pasta
- Rice
- Cold sauces
- Hot sauces
- Polenta
- Potato or vegetable purees
- Bechamel sauce
- Custards
- Puddings
- Jellies
- Dairy-based products

boiling | braising | pasteurising | **tilting** | **mixing** | **cooling** | frying | underpressure | vacuum cooking | cutting | washing | drying

BASKETT

major line

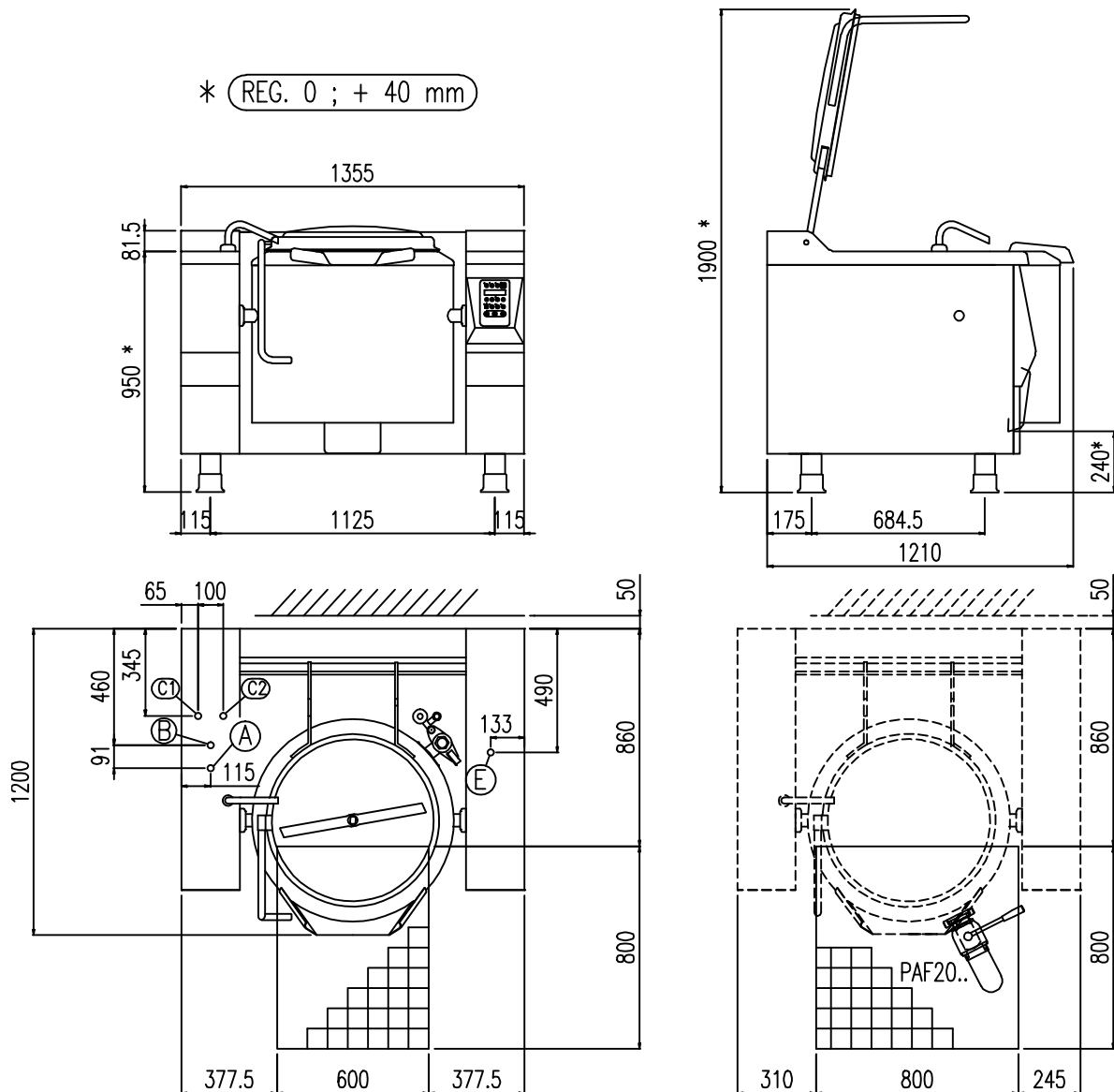
TECHNICAL DRAWING MOD. PR IE 070 M



BASKETT

major line

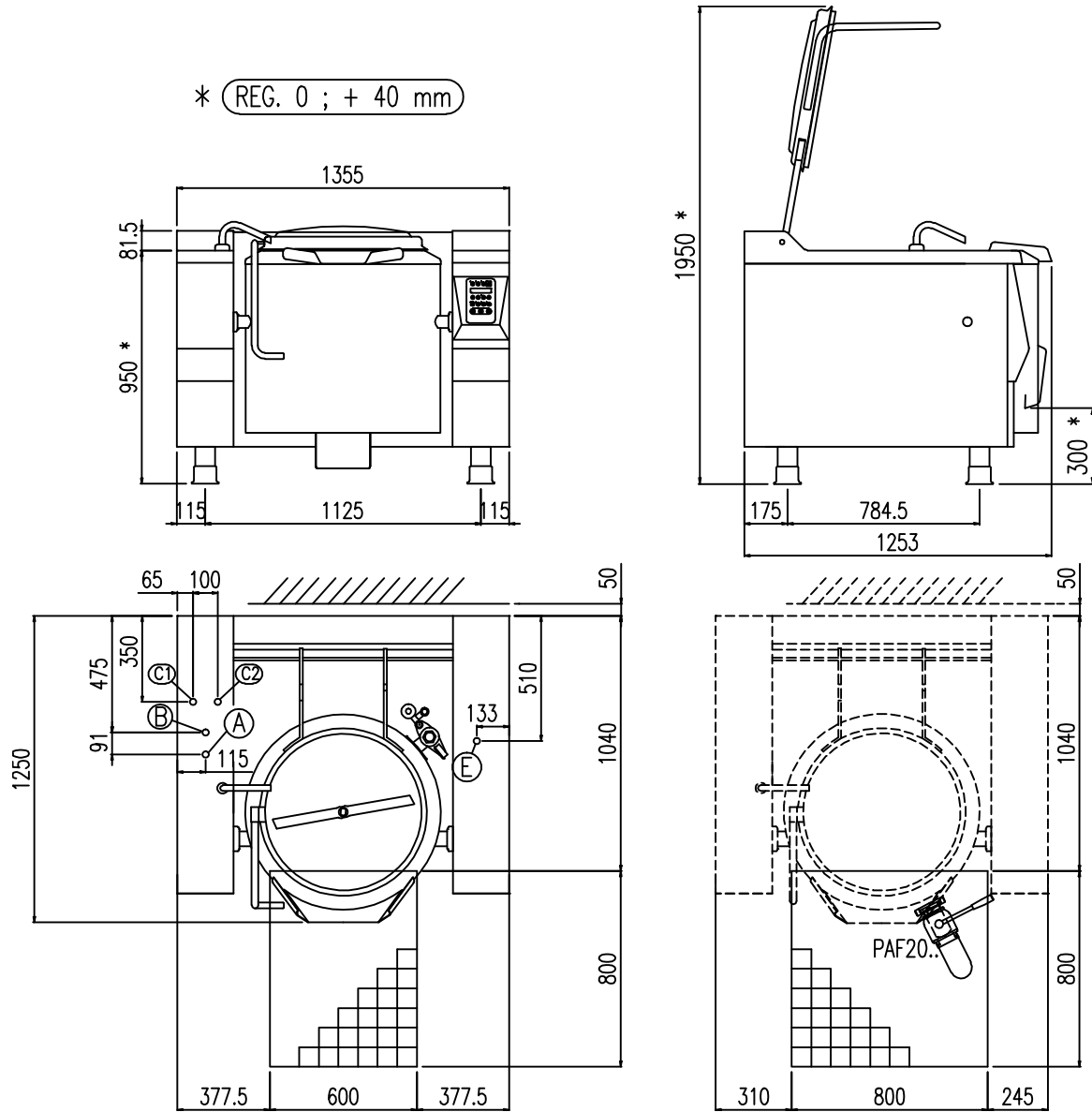
TECHNICAL DRAWING MOD. PR IE 105 M



BASKETT

major line

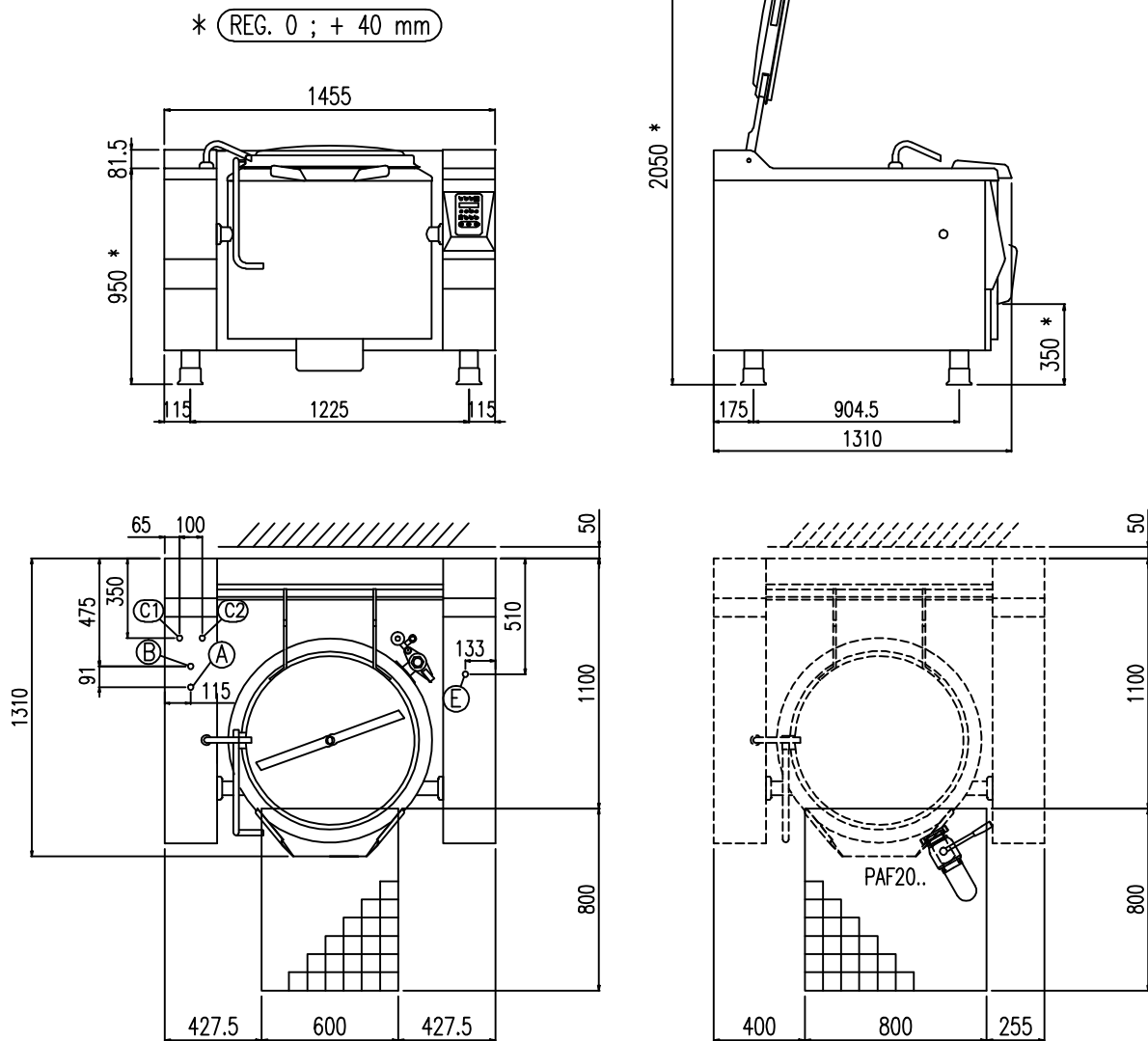
TECHNICAL DRAWING MOD. PR IE 130 M



BASKETT

major line

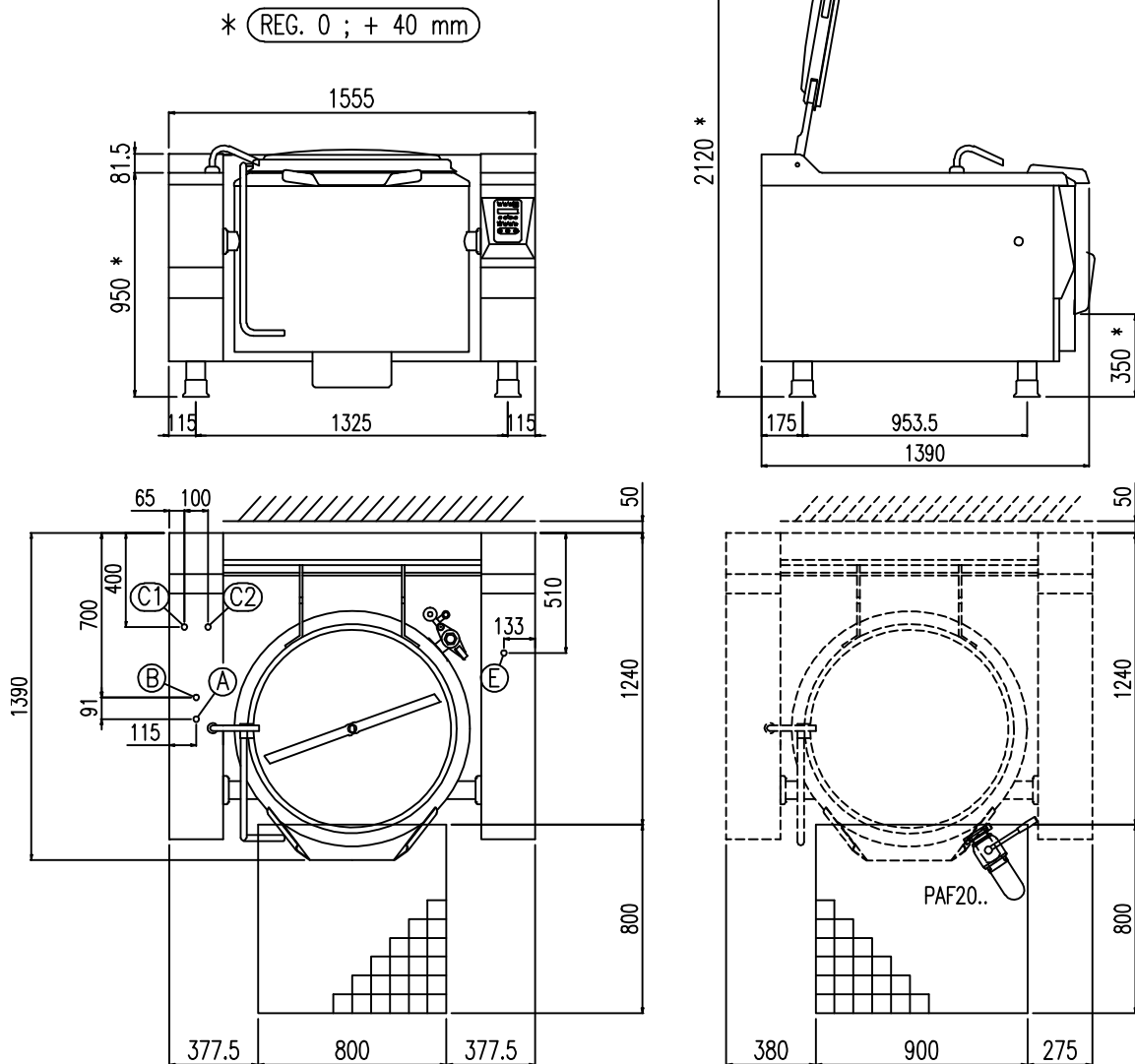
TECHNICAL DRAWING MOD. PR IE 180 M



BASKETT

major line

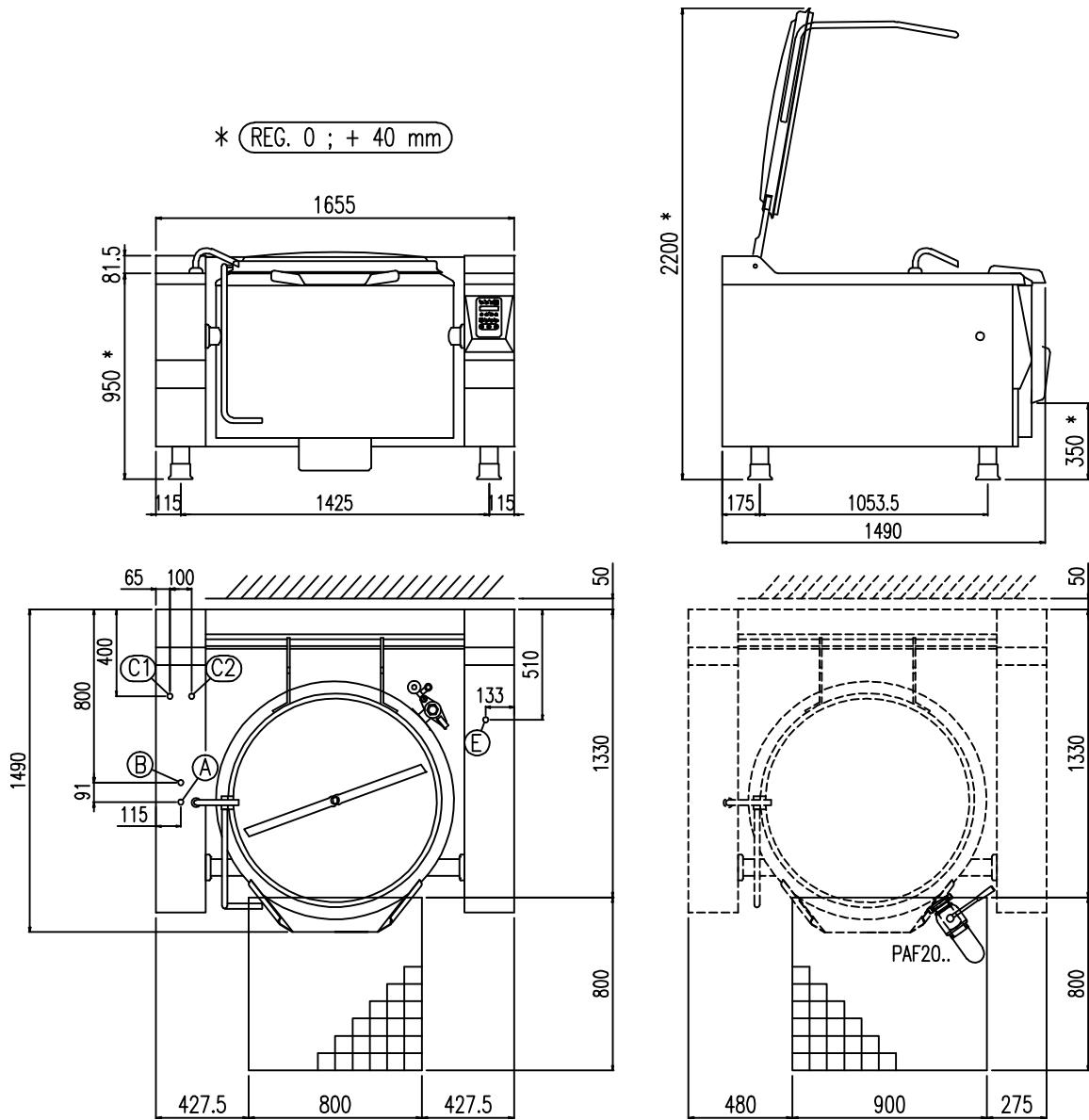
TECHNICAL DRAWING MOD. PR IE 250 M



BASKETT

major line

TECHNICAL DRAWING MOD. PR IE 320 M



BASKETT

major line

TECHNICAL DRAWING MOD. PR IE 500 M

