

EASYPAN

medium line



EasyPan | Fixed Cylindrical Pans

The EASYPAN steam pan is the extremely modular and professional solution developed by Firex to meet the needs of small restaurants and catering services to treat particularly acid products, thanks to the use of AISI 316 stainless steel.

Modular pans for restaurants and catering services

This type of modular industrial pans, whether cylindrical or rectangular, is characterized by a high quality of materials and construction processes; all to ensure maximum safety and reliability over time. The Easypan steam cooker range is available in both direct and indirect versions, with a bottom, and gas, steam or electrically heated.

INDIRECT GAS HEATING

| MODEL | CAPACITY lt | POWER kW | DIMENSIONS mm | NOTES |
|---------------|----------------|-------------|--------------------|-----------------------------|
| PM R IG 100 | 100 | 21 | 1025 x 950 x 900H | |
| PM R IG 100 A | 100 | 21 | 1025 x 950 x 900H | Autoclave 0.05 bar |
| PM R IG 150 | 150 | 21 | 1025 x 950 x 900H | |
| PM R IG 150 A | 150 | 21 | 1025 x 950 x 900H | Autoclave 0.05 bar |
| PM R IG 200 | 220 | 34.5 | 1175 x 1130 x 900H | |
| PM R IG 200 A | 220 | 34.5 | 1175 x 1130 x 900H | Autoclave 0.05 bar |
| PM R IG 300 | 342 | 48 | 1305 x 1255 x 900H | 1N + PE AC 230V 50/60 Hz |
| PM R IG 300 A | 342 | 48 | 1305 x 1255 x 900H | |
| PM R IG 500 | 480 | 58 | 1305 x 1255 x 950H | |
| PM R IG 500 A | 480 | 58 | 1305 x 1255 x 950H | Autoclave 0.05 bar |
| PM R IG 510 | 540 | 58 | 1555 x 1506 x 920H | 1N + PE AC 230V 50 Hz |
| PM R IG 510 A | 540 | 58 | 1555 x 1506 x 920H | |



Easypan can be used for

- Broths
- Rice
- Pasta
- Thick soups
- Thin soups
- Potato or vegetable purees
- Bechamel sauce
- Custards

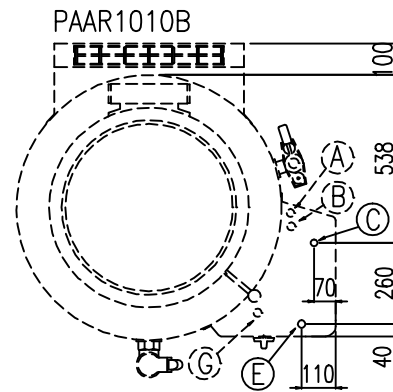
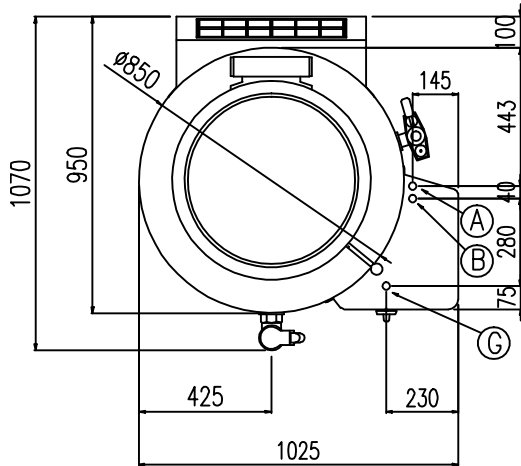
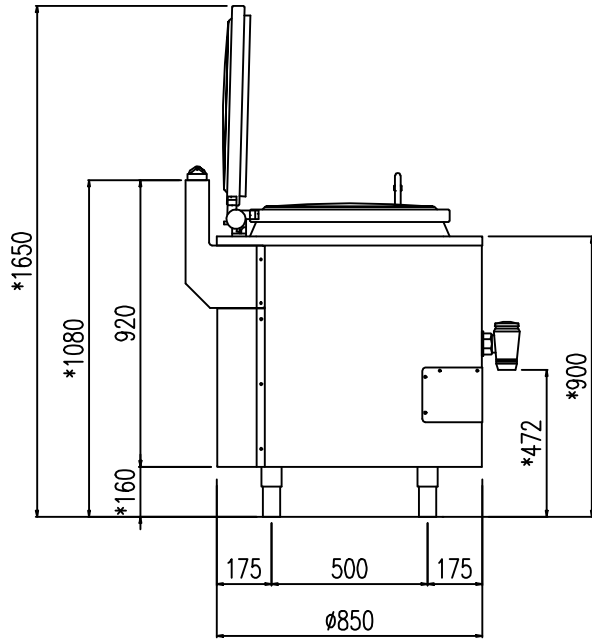
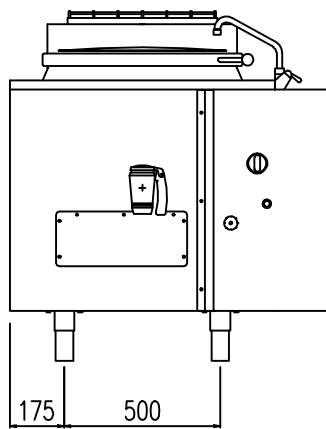
boiling | **braising** | pasteurising | tilting | mixing | cooling | frying | underpressure | vacuum cooking | cutting | washing | drying

EASYPAN

medium line

TECHNICAL DRAWING MOD. PM R IG 100

* (REG. -55 ; + 5 mm)

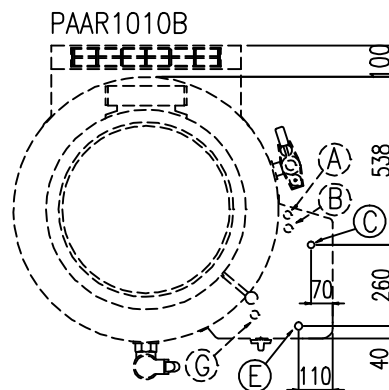
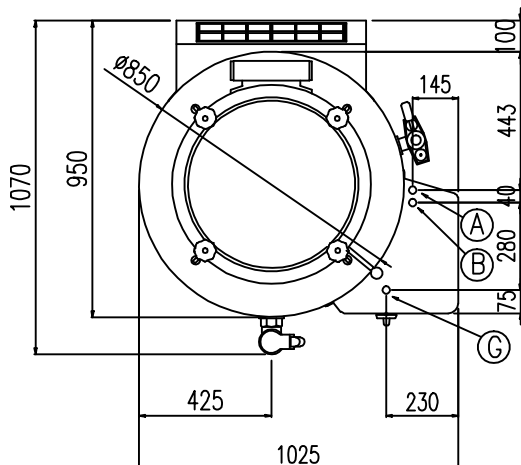
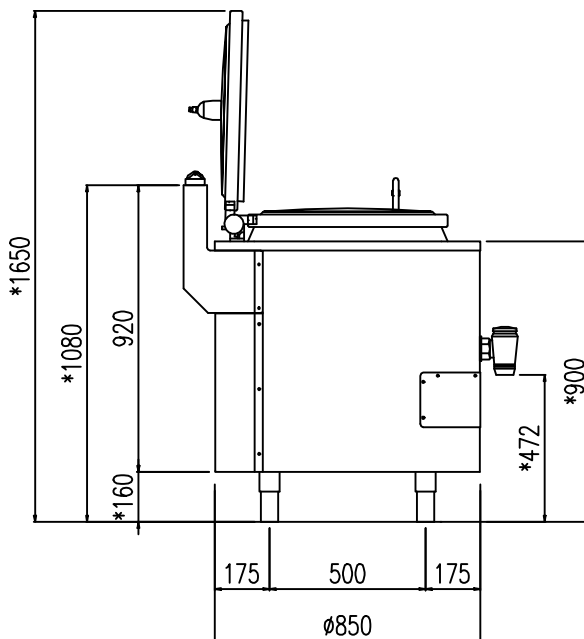
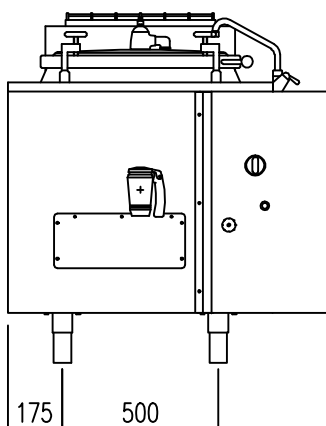


EASYPAN

medium line

TECHNICAL DRAWING MOD. PM R IG 100 A

* (REG. -55 ; + 5 mm)

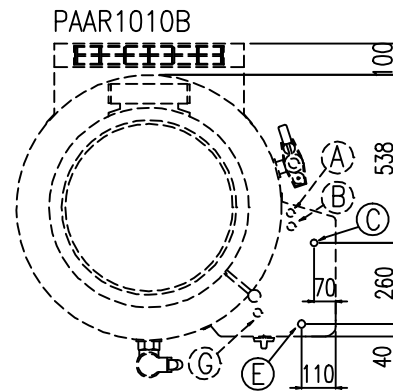
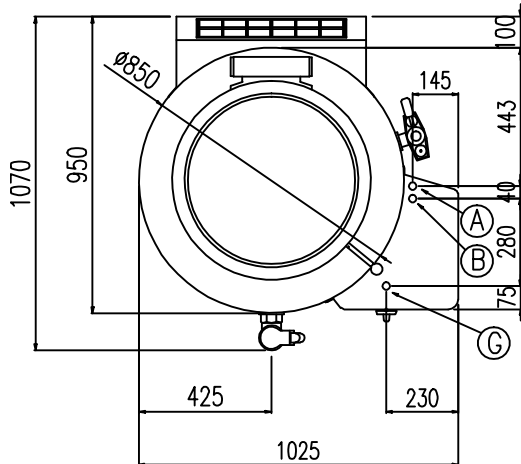
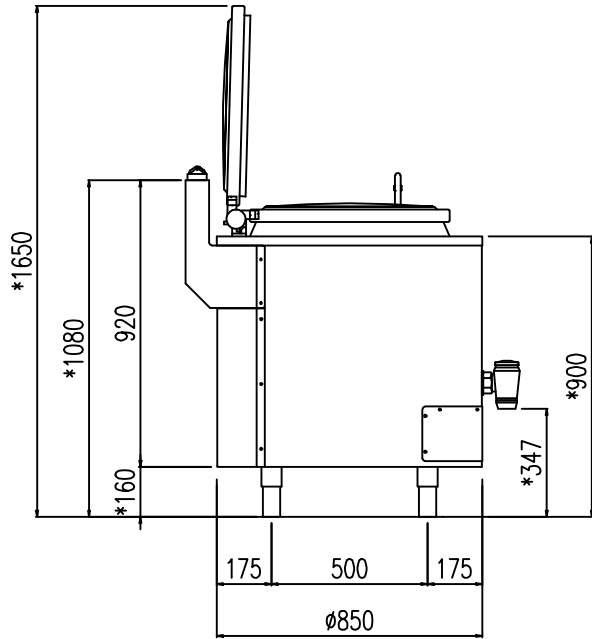
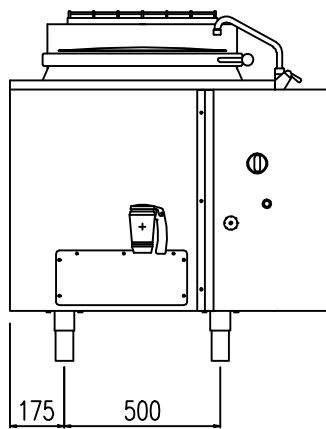


EASYPAN

medium line

TECHNICAL DRAWING MOD. PM R IG 150

* (REG. -55 ; + 5 mm)

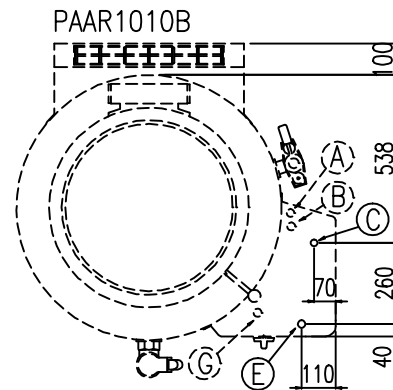
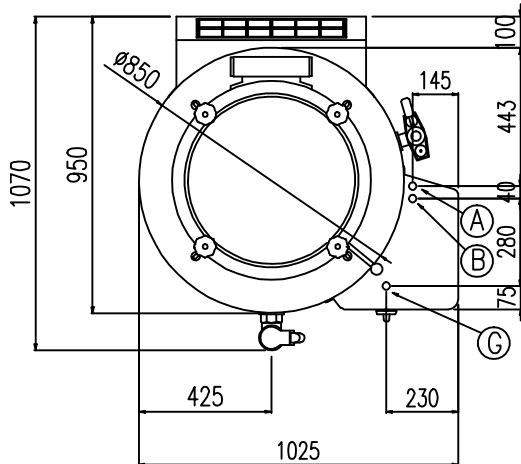
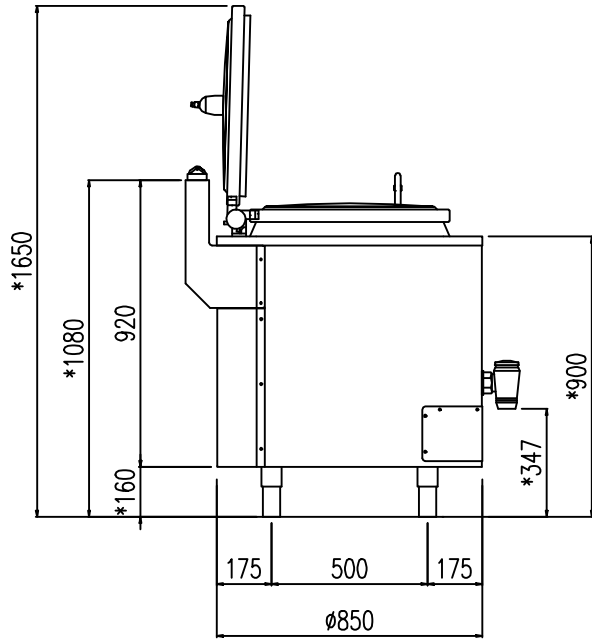
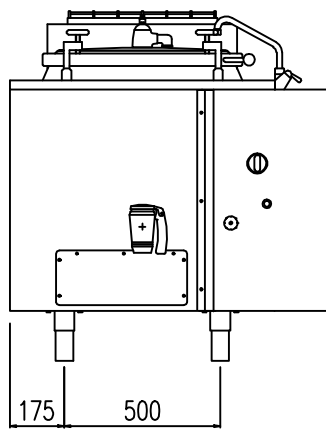


EASYPAN

medium line

TECHNICAL DRAWING MOD. PM R IG 150 A

* (REG. -55 ; + 5 mm)

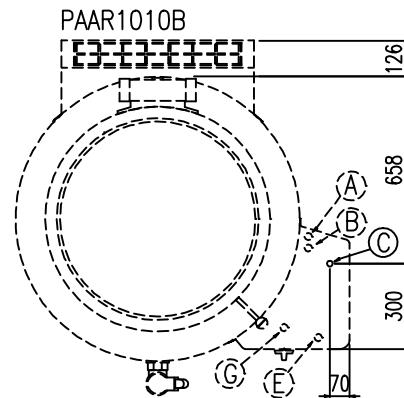
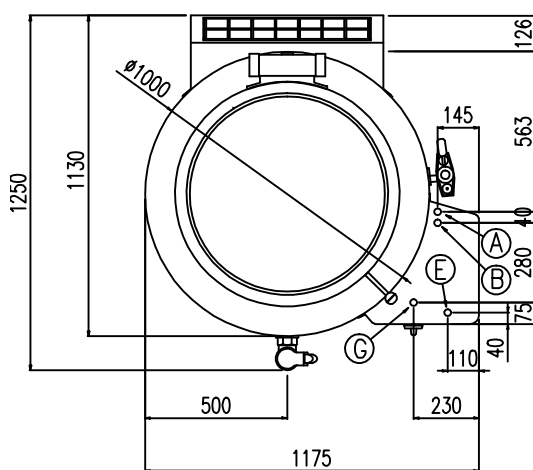
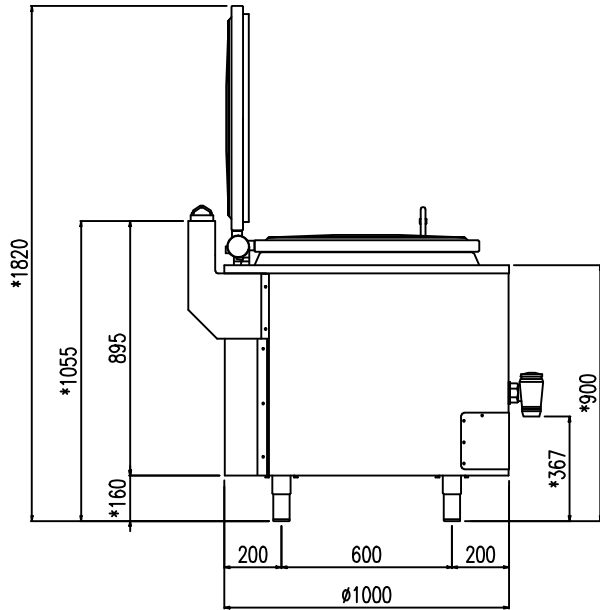
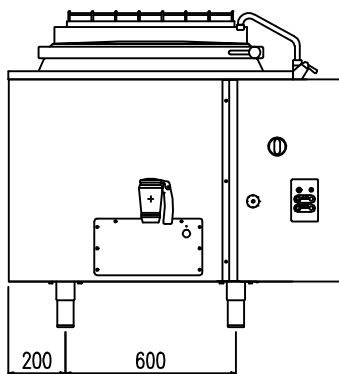


EASYPAN

medium line

TECHNICAL DRAWING MOD. PM R IG 200

* REG. -55 ; + 5 mm

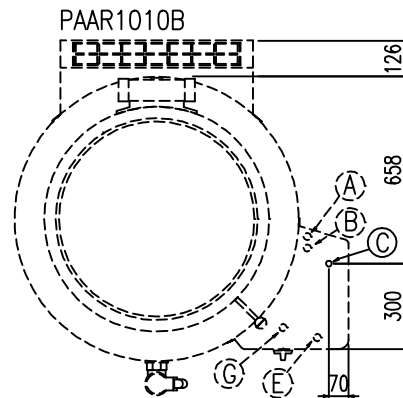
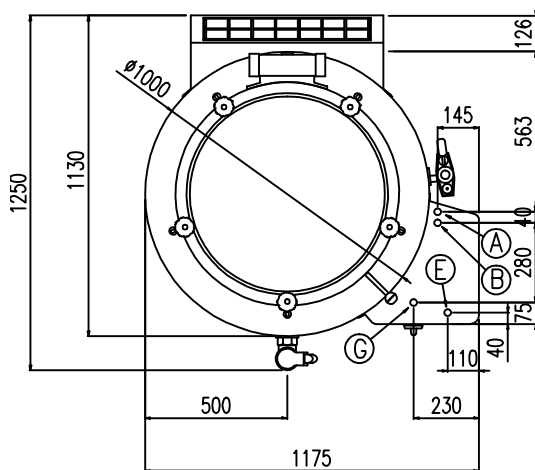
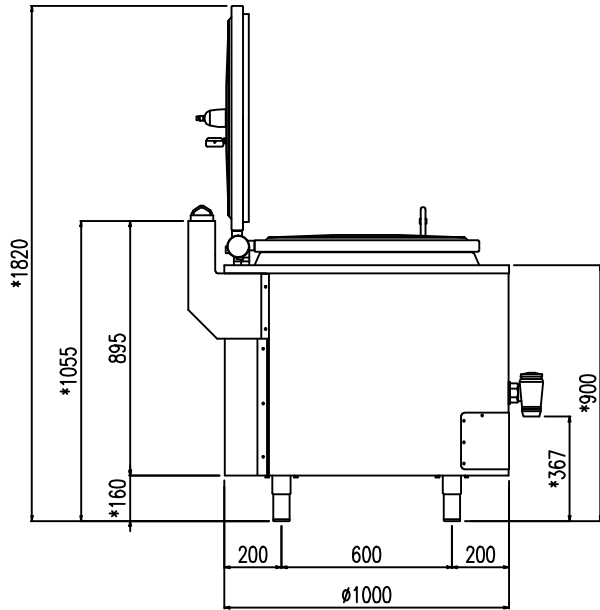
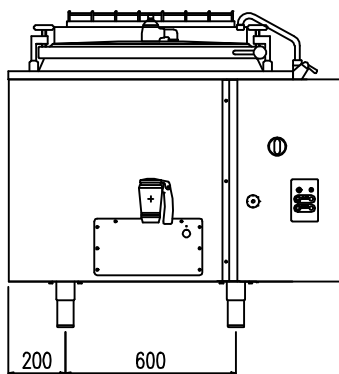


EASYPAN

medium line

TECHNICAL DRAWING MOD. PM R IG 200 A

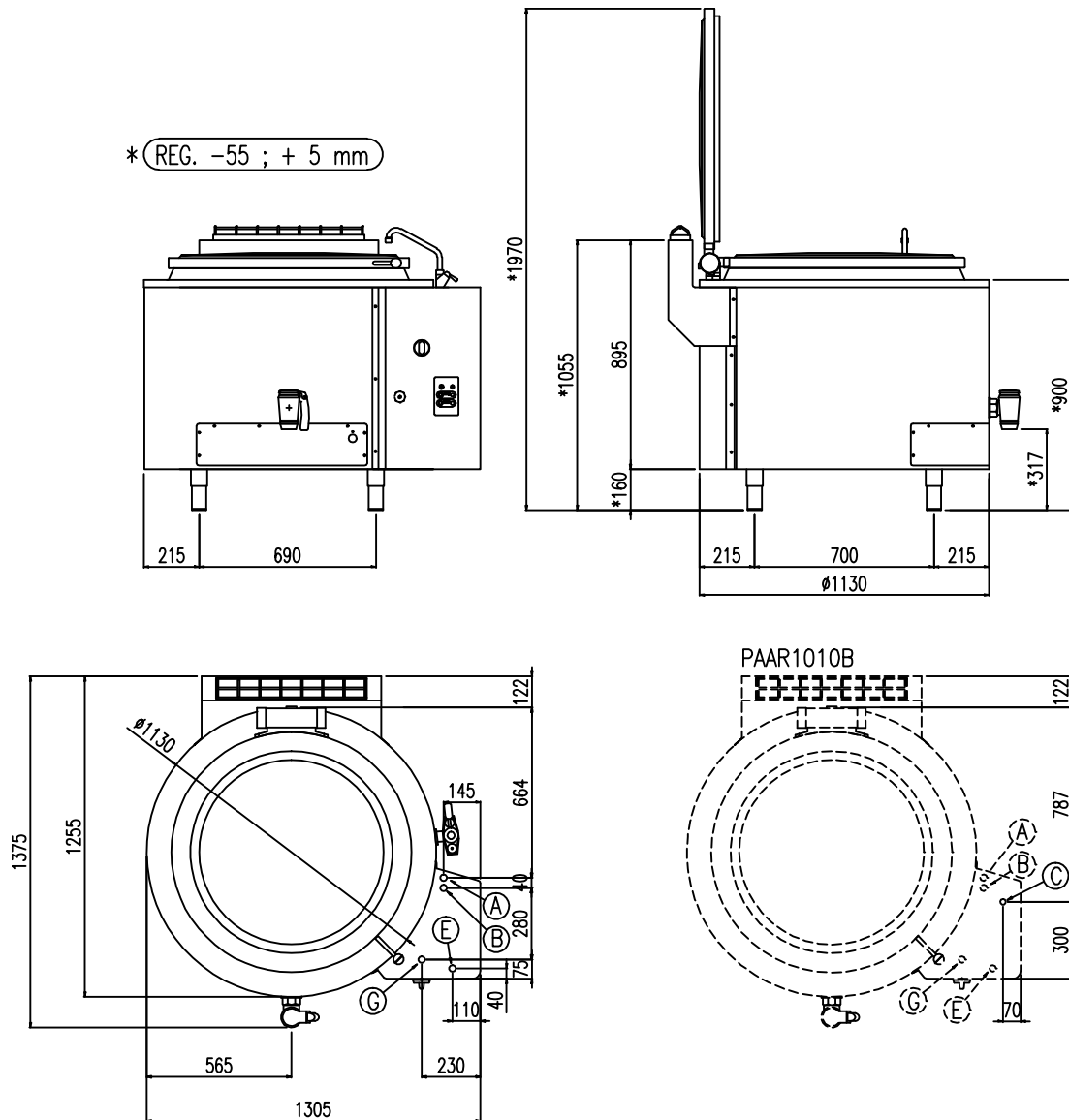
* REG. -55 ; + 5 mm



EASYPAN

medium line

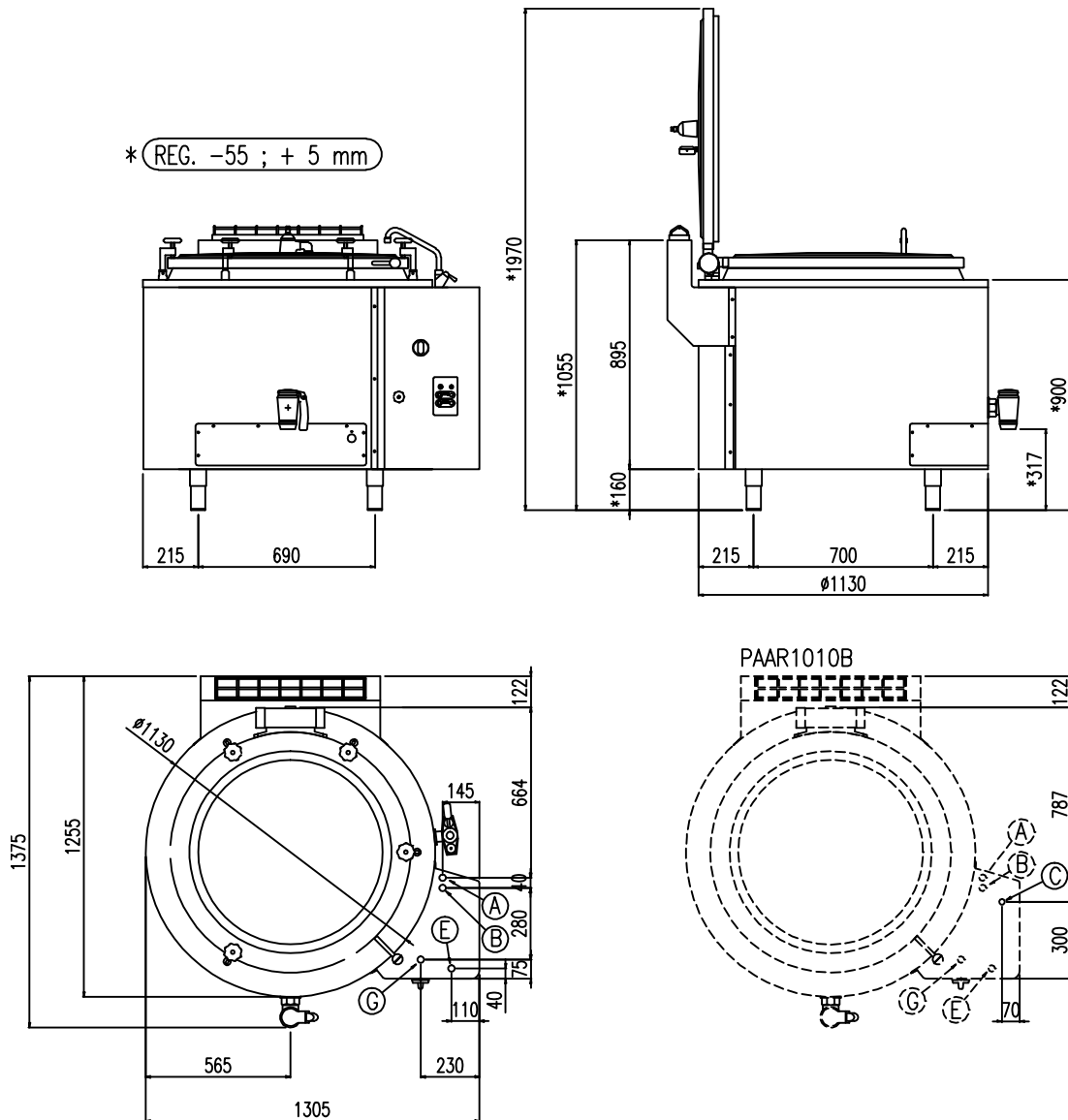
TECHNICAL DRAWING MOD. PM R IG 300



EASYPAN

medium line

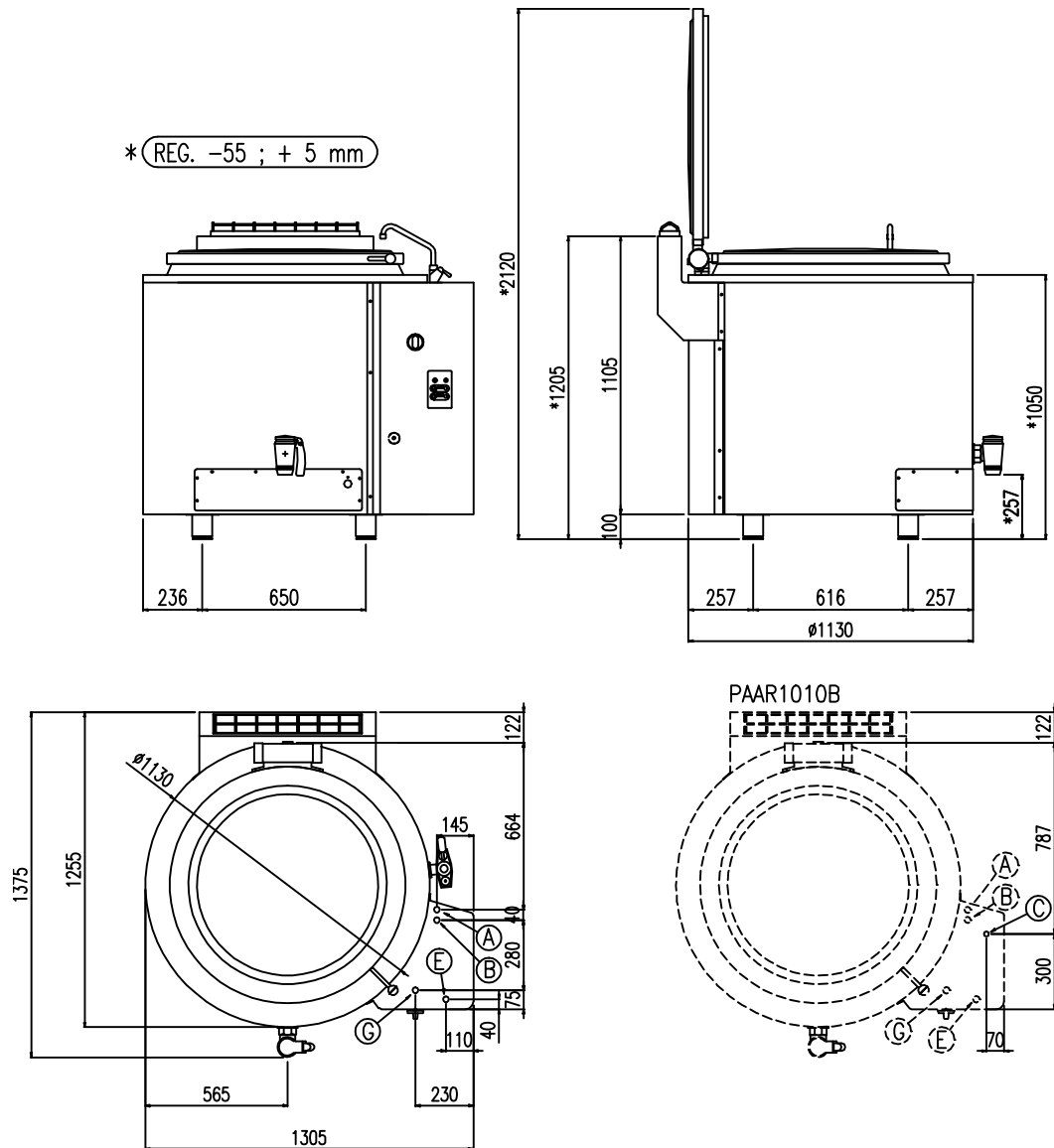
TECHNICAL DRAWING MOD. PM R IG 300 A



EASYPAN

medium line

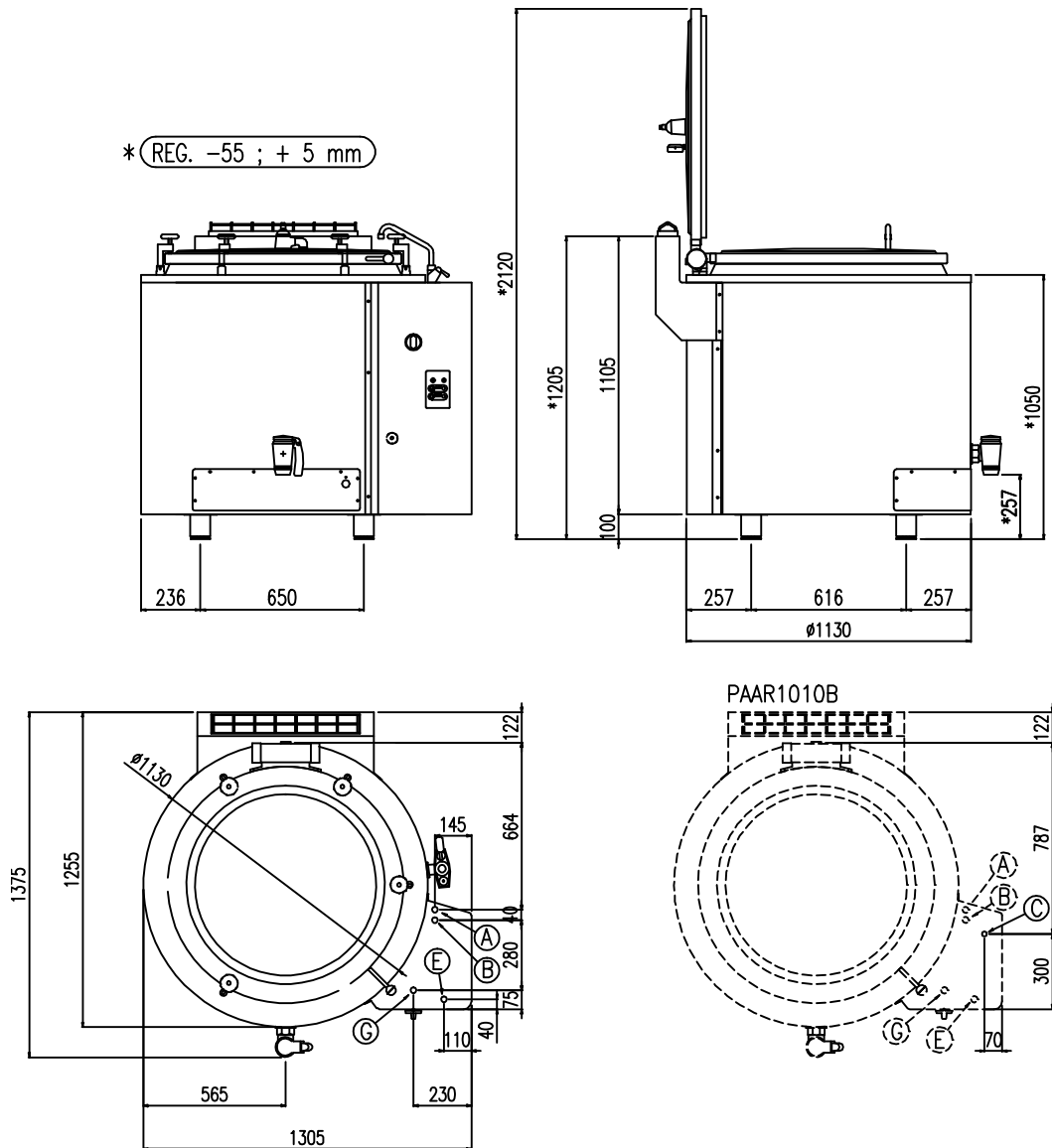
TECHNICAL DRAWING MOD. PM R IG 500



EASYPAN

medium line

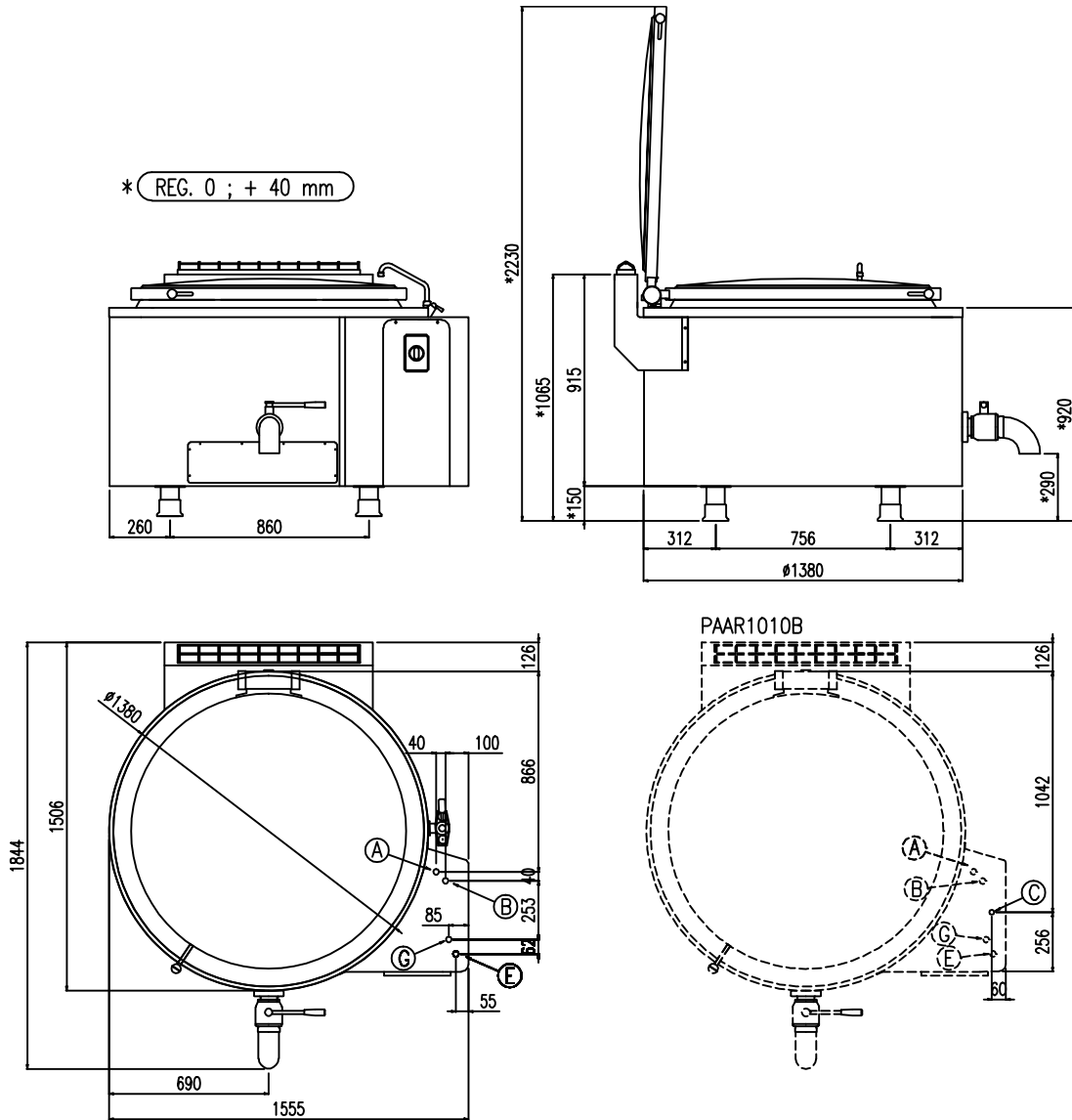
TECHNICAL DRAWING MOD. PM R IG 500 A



EASYPAN

medium line

TECHNICAL DRAWING MOD. PM R IG 510



EASYPAN

medium line

TECHNICAL DRAWING MOD. PM R IG 510 A

