

# EASYPAN

medium line



## EasyPan | Fixed Cylindrical Pans

The EASYPAN steam pan is the extremely modular and professional solution developed by Firex to meet the needs of small restaurants and catering services to treat particularly acid products, thanks to the use of AISI 316 stainless steel.

## Modular pans for restaurants and catering services

This type of modular industrial pans, whether cylindrical or rectangular, is characterized by a high quality of materials and construction processes; all to ensure maximum safety and reliability over time. The Easypan steam cooker range is available in both direct and indirect versions, with a bottom, and gas, steam or electrically heated.

## INDIRECT ELECTRIC HEATING

MODEL	CAPACITY lt	POWER kW	DIMENSIONS mm	NOTES
PM R IE 100	100	16	1025 x 850 x 900H	
PM R IE 100 A	100	16	1025 x 850 x 900H	Autoclave 0.05 bar
PM R IE 150	150	18	1025 x 850 x 900H	
PM R IE 150 A	150	18	1025 x 850 x 900H	Autoclave 0.05 bar
PM R IE 200	220	32	1175 x 1000 x 900H	
PM R IE 200 A	220	32	1175 x 1000 x 900H	Autoclave 0.05 bar
PM R IE 300	325	36	1130 x 1130 x 900H	
PM R IE 300 A	325	36	1130 x 1130 x 900H	Autoclave 0.05 bar
PM R IE 500	480	36	1130 x 1130 x 950H	
PM R IE 500 A	480	36	1130 x 1130 x 950H	Autoclave 0.05 bar
PM R IE 510	540	45	1550 x 1380 x 900H	
PM R IE 510 A	540	45	1550 x 1380 x 900H	Autoclave 0.05 bar

3N + PE AC 4--V  
50/60 Hz



## Easypan can be used for

- Broths
- Rice
- Pasta
- Thick soups
- Thin soups
- Potato or vegetable purees
- Bechamel sauce
- Custards

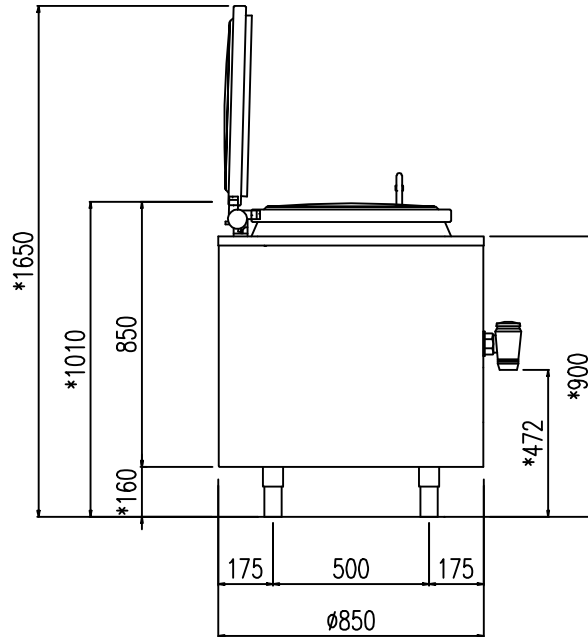
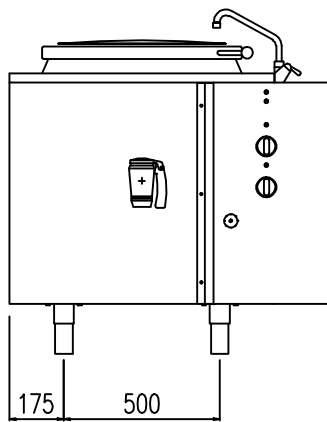
**boiling** | **braising** | pasteurising | tilting | mixing | cooling | frying | underpressure | vacuum cooking | cutting | washing | drying

# EASYPAN

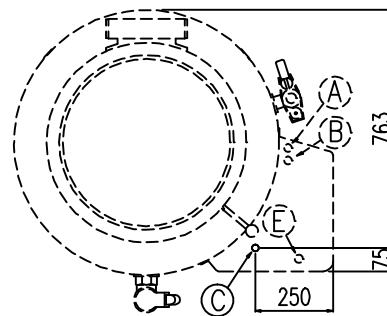
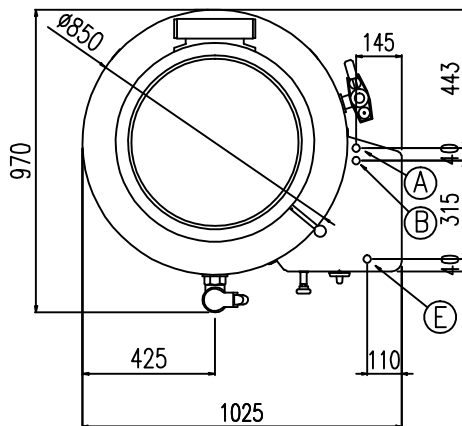
medium line

TECHNICAL DRAWING MOD. **PM R IE 100**

\* REG. -55 ; + 5 mm



PAAR1014B

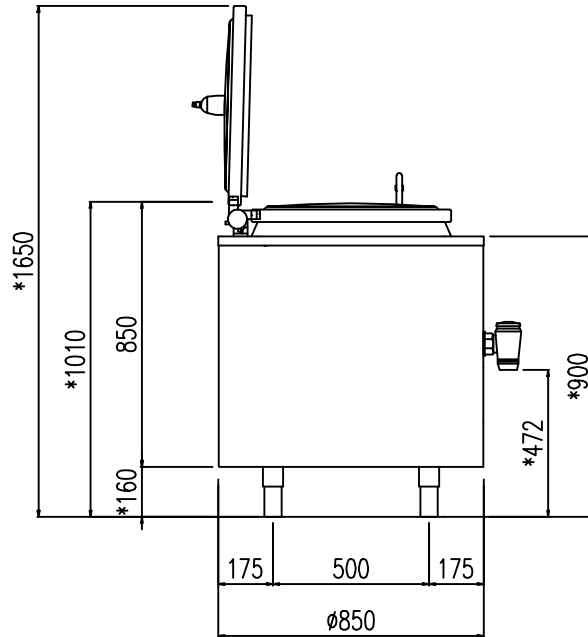
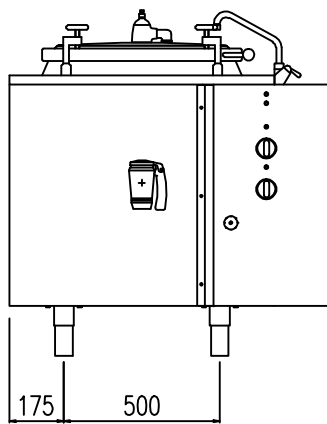


# EASYPAN

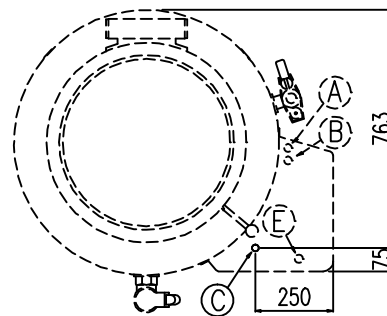
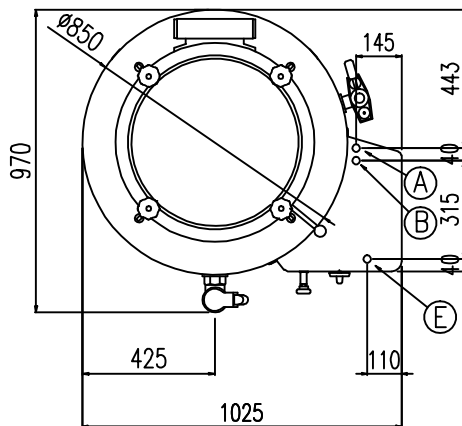
medium line

TECHNICAL DRAWING MOD. **PM R IE 100 A**

\* REG. -55 ; + 5 mm



PAAR1014B

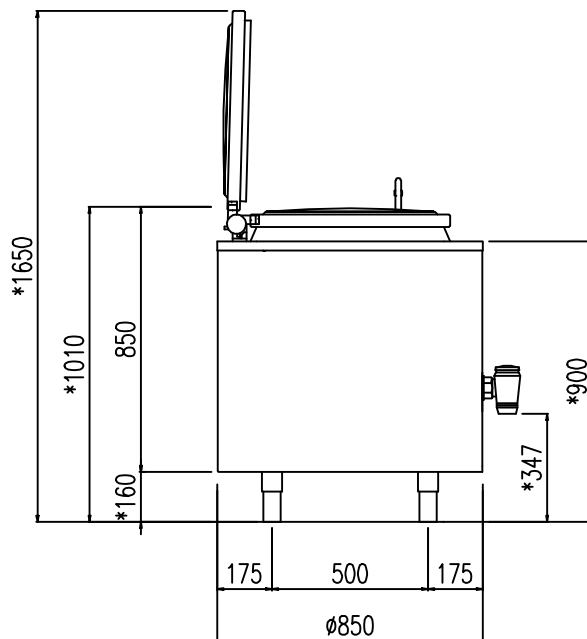
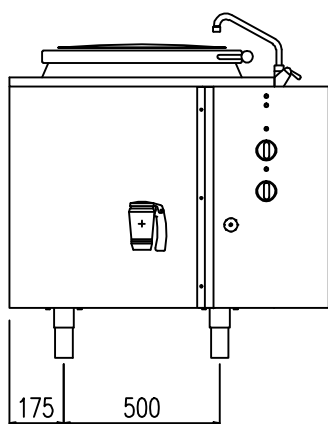


# EASYPAN

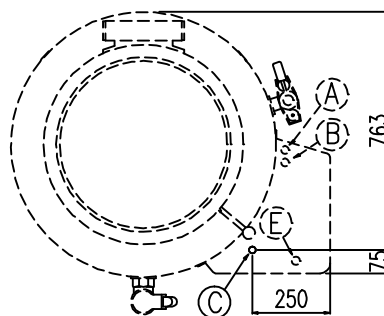
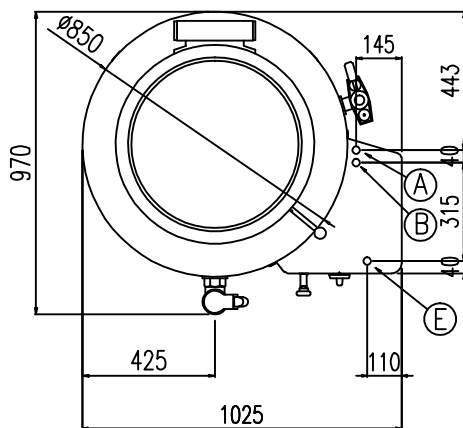
medium line

TECHNICAL DRAWING MOD. **PM R IE 150**

\* REG. -55 ; + 5 mm



PAAR1014B

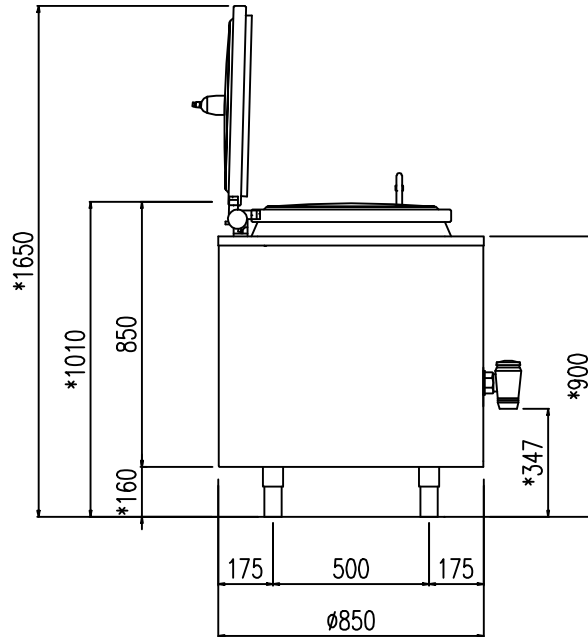
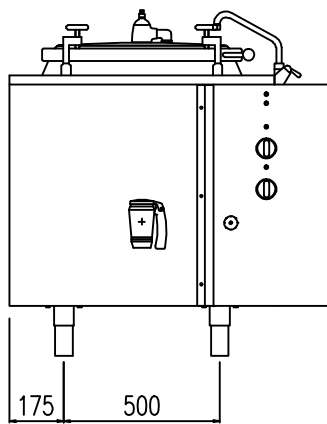


# EASYPAN

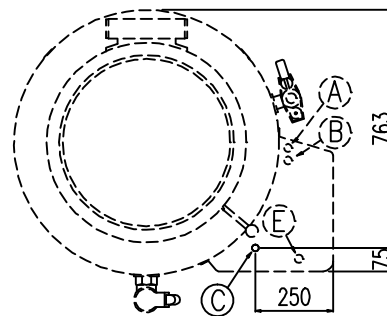
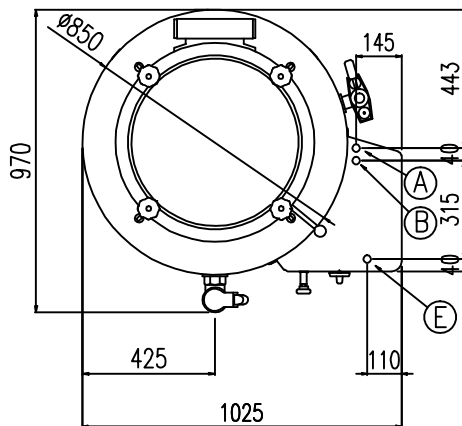
medium line

TECHNICAL DRAWING MOD. **PM R IE 150 A**

\* REG. -55 ; + 5 mm



PAAR1014B

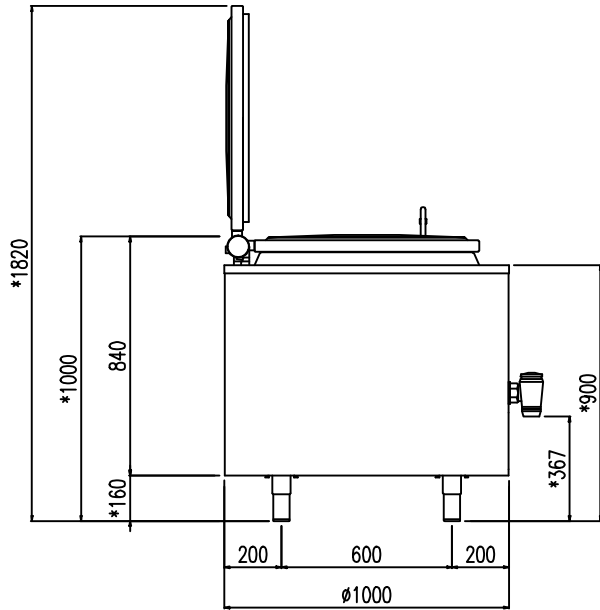
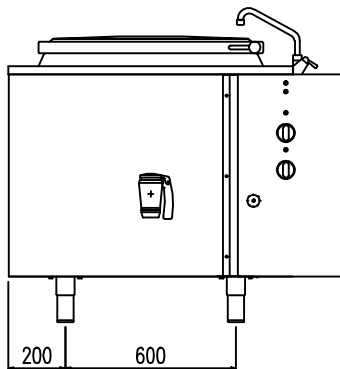


# EASYPAN

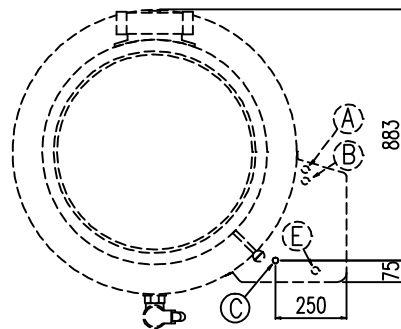
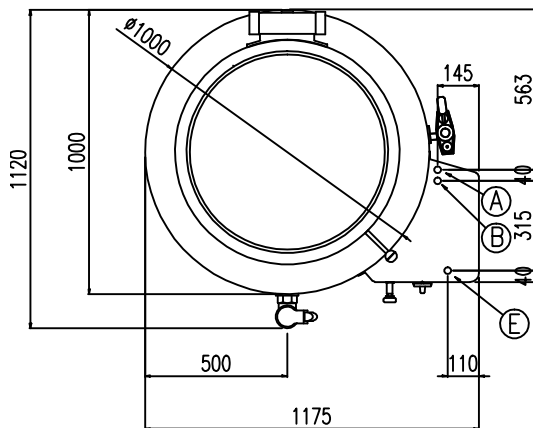
medium line

TECHNICAL DRAWING MOD. **PM R IE 200**

\* (REG. -55 ; + 5 mm)



PAAR1014B

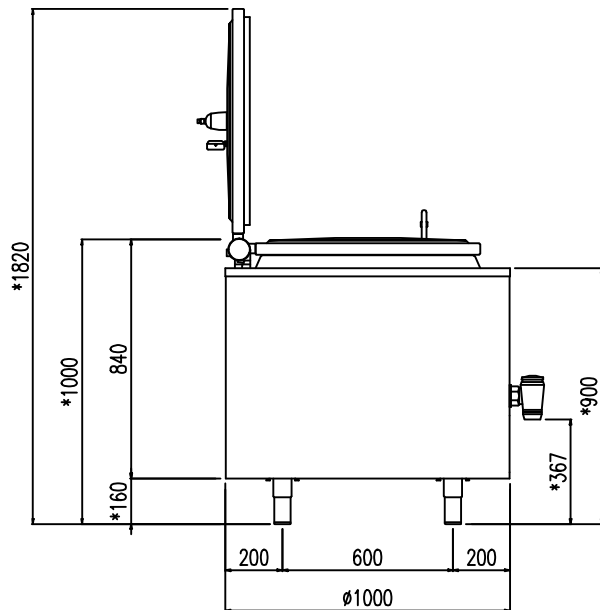
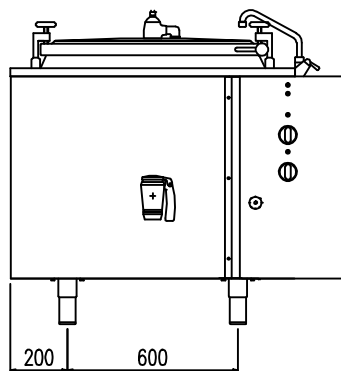


# EASYPAN

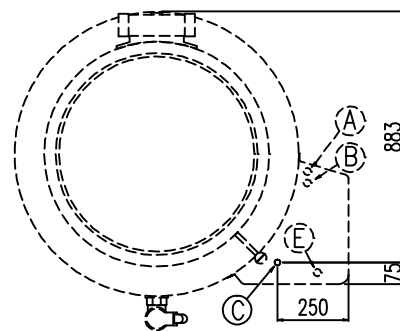
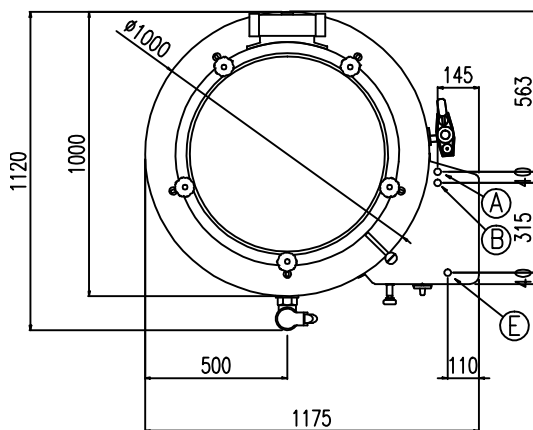
medium line

TECHNICAL DRAWING MOD. **PM R IE 200 A**

\* REG. -55 ; + 5 mm



PAAR1014B

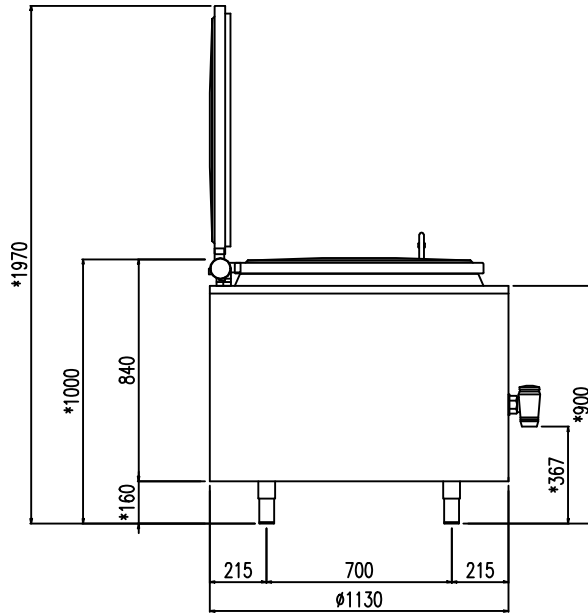
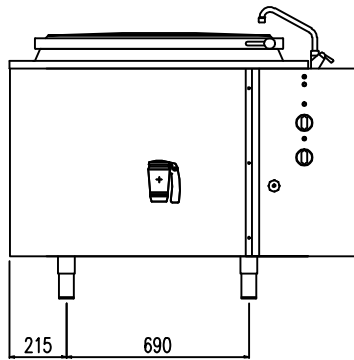


# EASYPAN

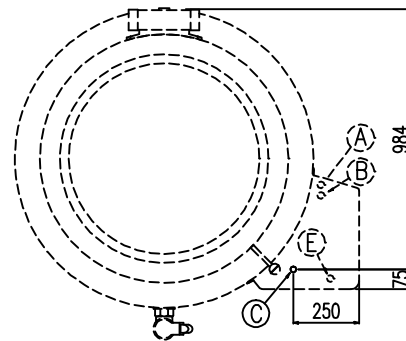
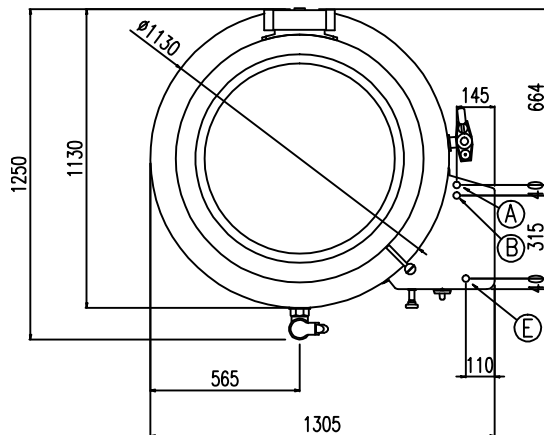
medium line

## TECHNICAL DRAWING MOD. PM R IE 300

\* REG. -55 ; + 5 mm



PAAR1014B



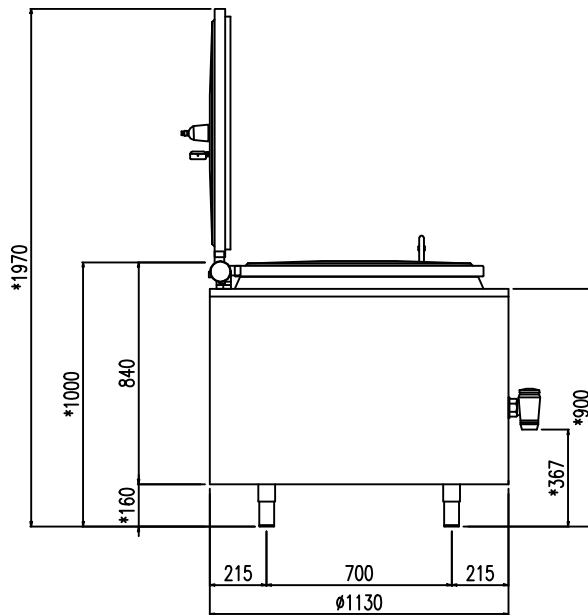
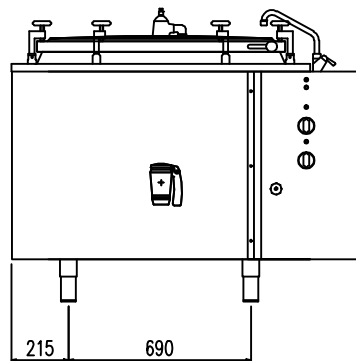


# EASYPAN

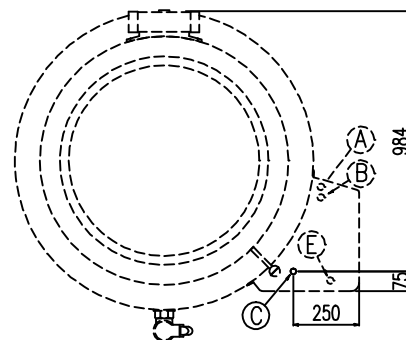
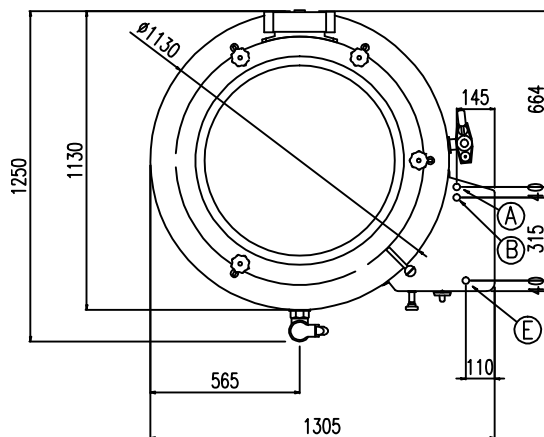
medium line

## TECHNICAL DRAWING MOD. PM R IE 300 A

\* REG. -55 ; + 5 mm



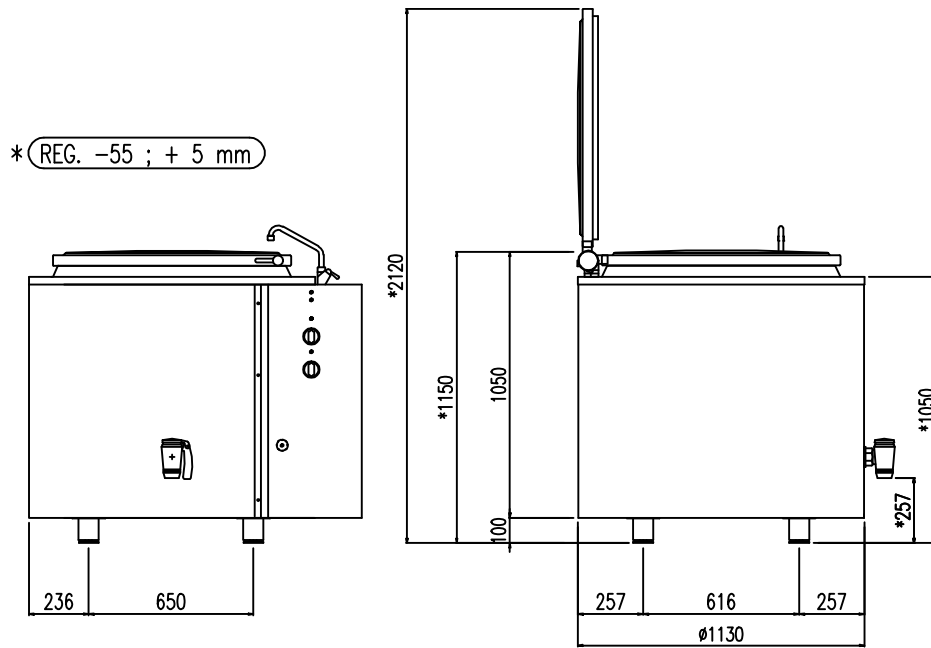
PAAR1014B



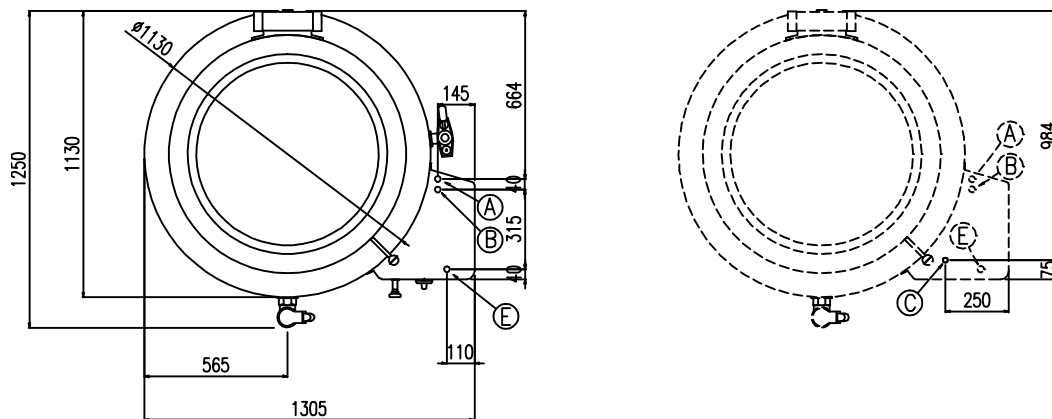
# EASYPAN

medium line

TECHNICAL DRAWING MOD. **PM R IE 500**



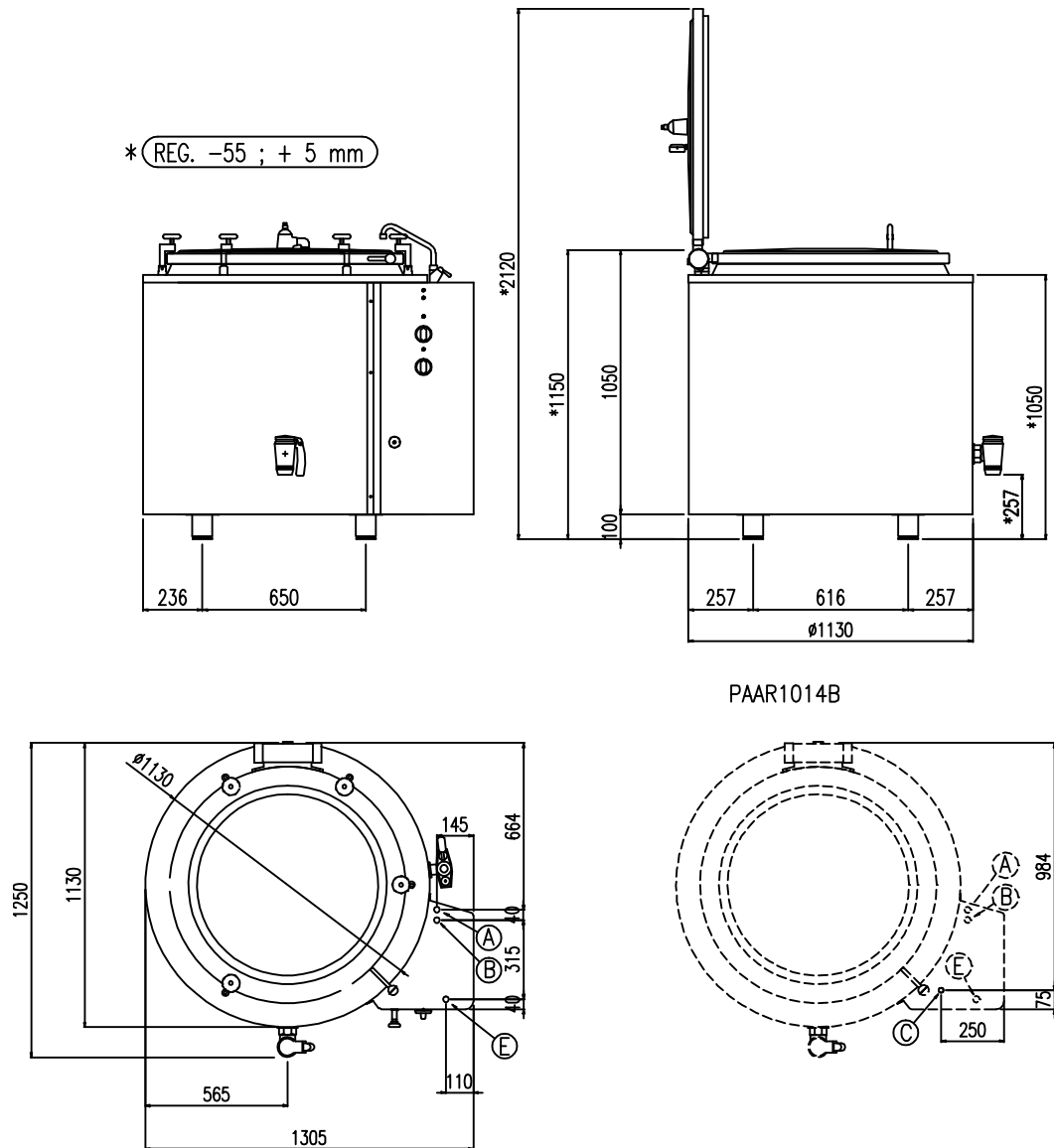
PAAR1014B



# EASYPAN

medium line

## TECHNICAL DRAWING MOD. PM R IE 500 A

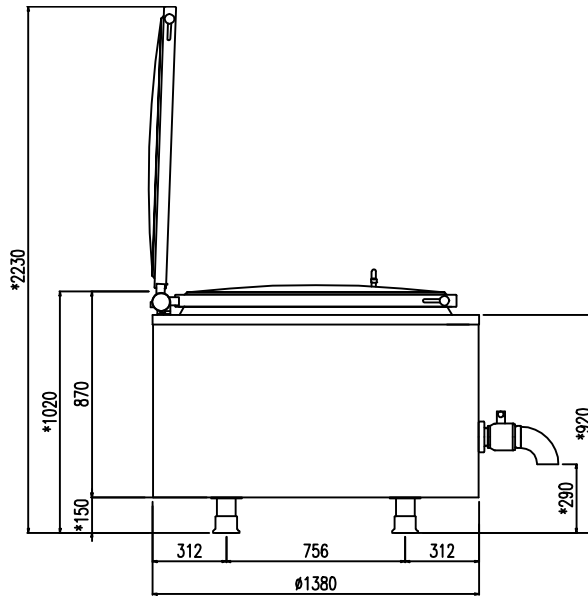
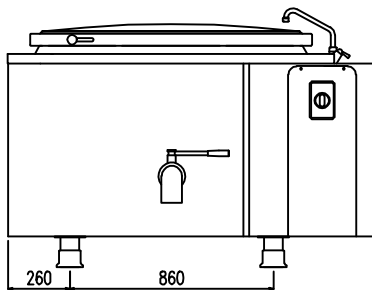


# EASYPAN

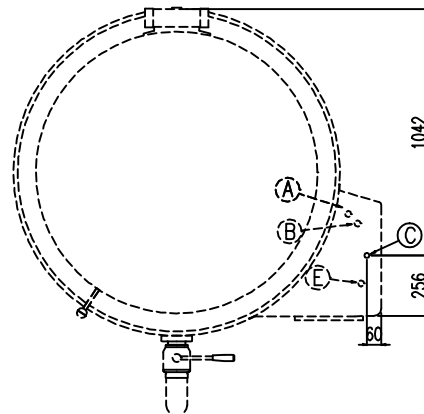
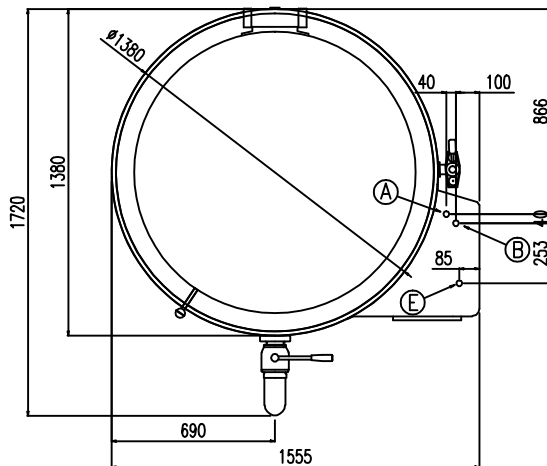
medium line

TECHNICAL DRAWING MOD. **PM R IE 510**

\* REG. 0 ; + 40 mm



PAAR1014B

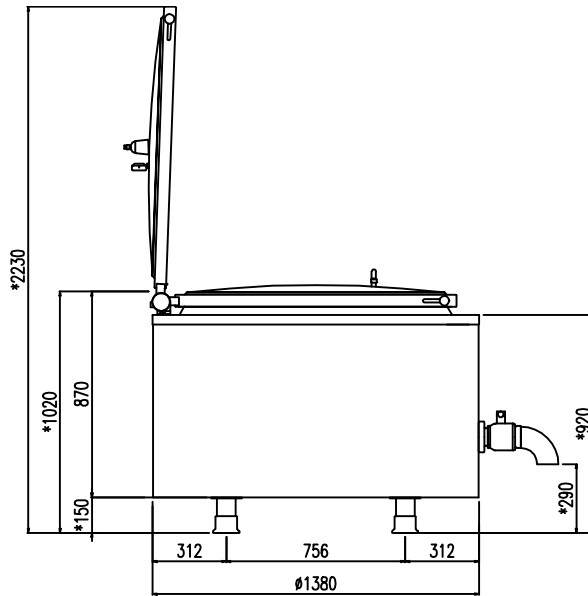
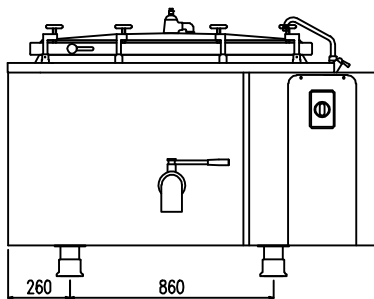


# EASYPAN

medium line

## TECHNICAL DRAWING MOD. PM R IE 510 A

\* REG. 0 ; + 40 mm



PAAR1014B

