

EASYBASKETT

medium line



EasyBaskett | Tilting Pans

EASYBASKETT is a functional boiling cooking machine that is easy to use, ideal for cooking large quantities of food, even foods with high acidity. In the indirect versions, the jacket system prevents products from sticking to the bottom and walls of the container during cooking.

The Potential of Firex tilting pans

The main construction features of these machines for professional catering and, especially, the use of quality materials guarantee high performance and maximum versatility. With this type of tilting kettles you can cook even large amounts of food without the products sticking to the bottom or walls.

INDIRECT STEAM HEATING 0.5 BAR

MODEL	CAPACITY lt	POWER kW	DIMENSIONS mm	NOTES
PMK IV 100	100	40 - 50	1200 x 1180 x 1090H	1N + PE AC 230V 50/60 Hz
PMK IV 150	150	50 - 60	1200 x 1180 x 1090H	
PMK IV 200	215	60 - 80	1200 x 1310 x 1090H	
PMK IV 300	330	80 - 100	1200 x 1380 x 1090H	
PMK IV 500	480	100 - 120	1200 x 1460 x 1090H	



Easybaskett can be used for

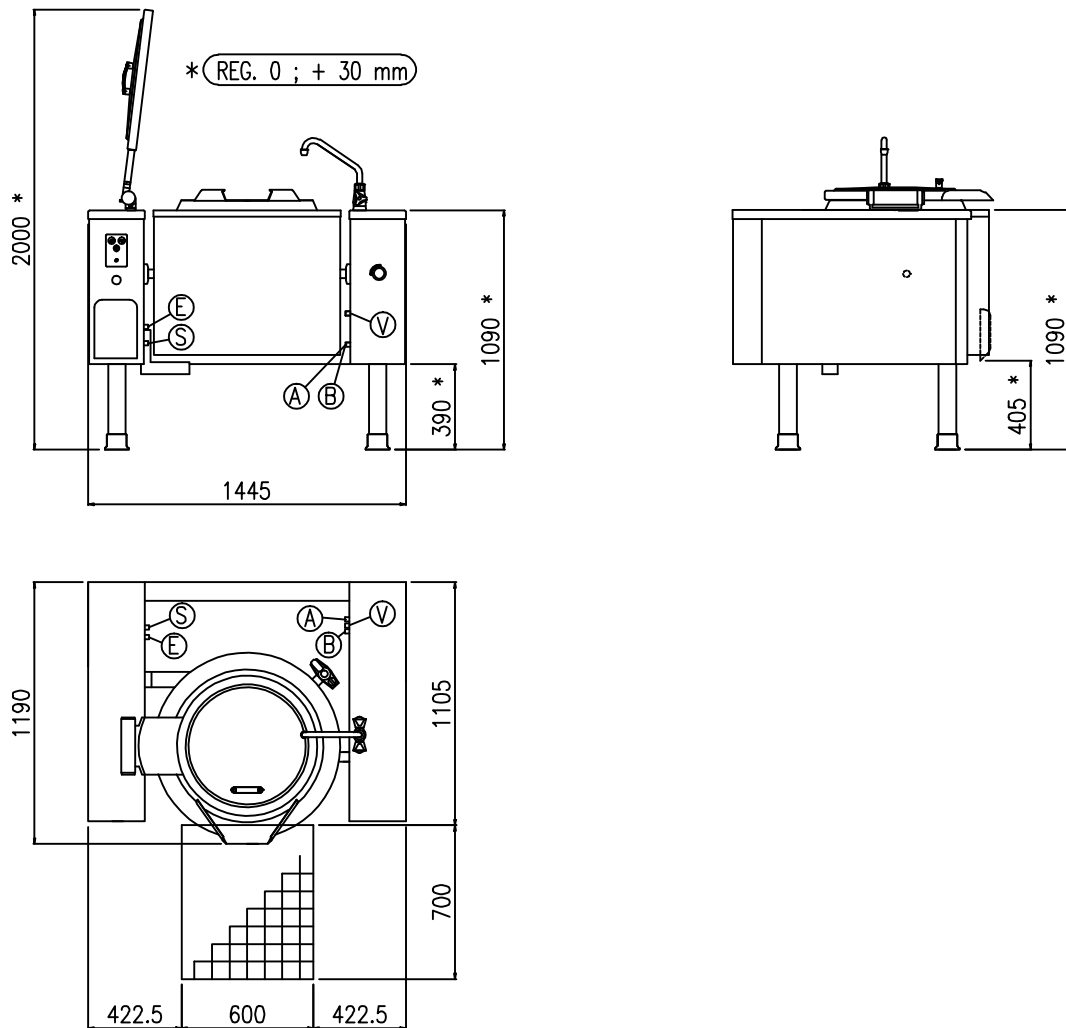
- Thick soups
- Thin soups
- Various types of boiled foods
- Broths
- Custards
- Puddings
- Jellies
- Dairy-based products

boiling | **braising** | pasteurising | **tilting** | mixing | cooling | frying | underpressure | vacuum cooking | cutting | washing | drying

EASYBASKETT

medium line

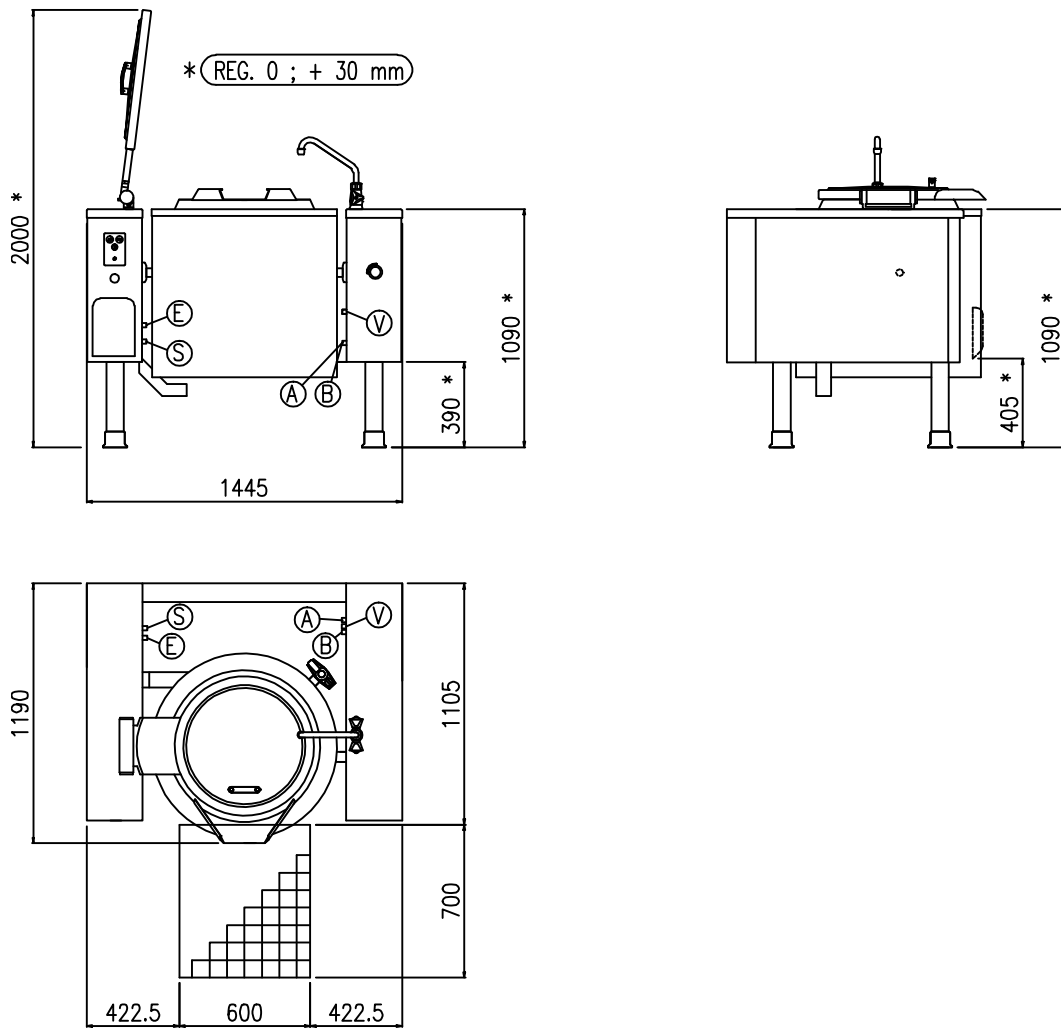
TECHNICAL DRAWING MOD. **PMK IV 100**



EASYBASKETT

medium line

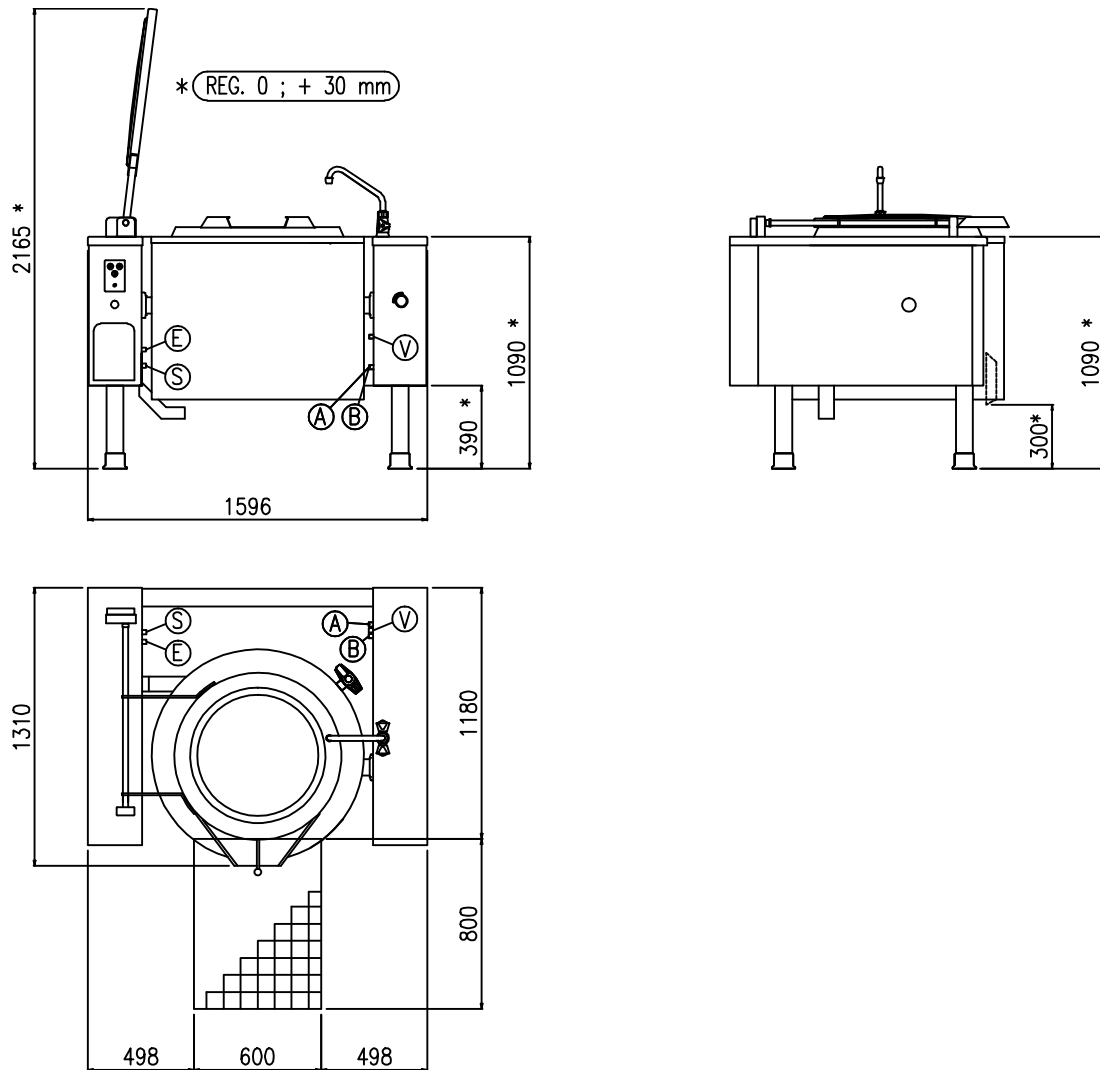
TECHNICAL DRAWING MOD. **PMK IV 150**



EASYBASKETT

medium line

TECHNICAL DRAWING MOD. **PMK IV 200**



EASYBASKETT

medium line

TECHNICAL DRAWING MOD. **PMK IV 300**

