

EASYBASKETT

medium line



EasyBaskett | Tilting Pans

EASYBASKETT is a functional boiling cooking machine that is easy to use, ideal for cooking large quantities of food, even foods with high acidity. In the indirect versions, the jacket system prevents products from sticking to the bottom and walls of the container during cooking.

The Potential of Firex tilting pans

The main construction features of these machines for professional catering and, especially, the use of quality materials guarantee high performance and maximum versatility. With this type of tilting kettles you can cook even large amounts of food without the products sticking to the bottom or walls.

INDIRECT ELECTRIC HEATING

MODEL	CAPACITY lt	POWER kW	DIMENSIONS mm	NOTES
PMK IE 100	100	16	1200 x 1085 x 900H	3N + PE AC 400V 50/60 Hz
PMK IE 150	150	18	1200 x 1085 x 900H	
PMK IE 200	220	32	1596 x 1310 x 1090H	
PMK IE 300	325	36	1726 x 1380 x 1090H	
PMK IE 500	496	36	1726 x 1460 x 1090H	



Easybaskett can be used for

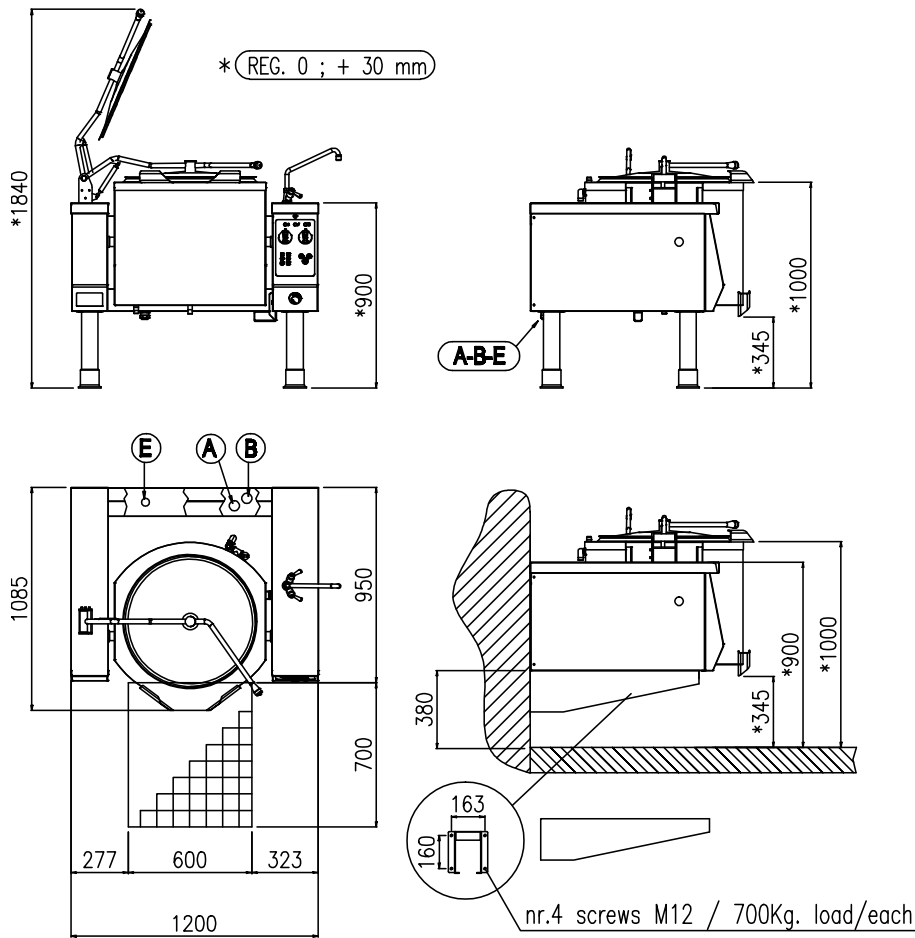
- Thick soups
- Thin soups
- Various types of boiled foods
- Broths
- Custards
- Puddings
- Jellies
- Dairy-based products

boiling | **braising** | pasteurising | **tilting** | mixing | cooling | frying | underpressure | vacuum cooking | cutting | washing | drying

EASYBASKETT

medium line

TECHNICAL DRAWING MOD. PMK IE 100

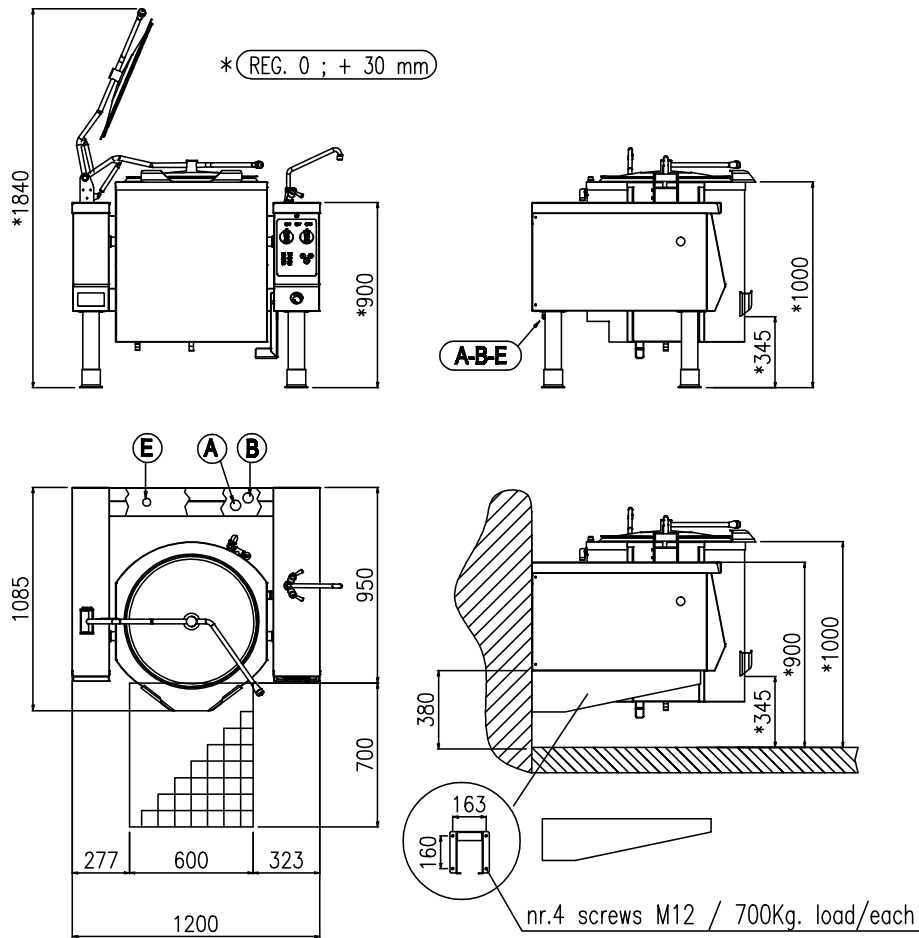


E	Potenza assorbita Electric power	Elektrische Leistung Puissance électrique	16.00 (kW)
E	Collegamento Elettrico Electric connection	Elektrische Verbindung Connexion électrique	380-415V 3 ~ 50/60Hz
A	Allacciamento Acqua Calda Hot water inlet	Warmwasseranschluss Raccordement eau chaude	3/4"
B	Allacciamento Acqua Fredda Cold water inlet	Kaltwasseranschluss Raccordement eau froide	3/4"

EASYBASKETT

medium line

TECHNICAL DRAWING MOD. PMK IE 150

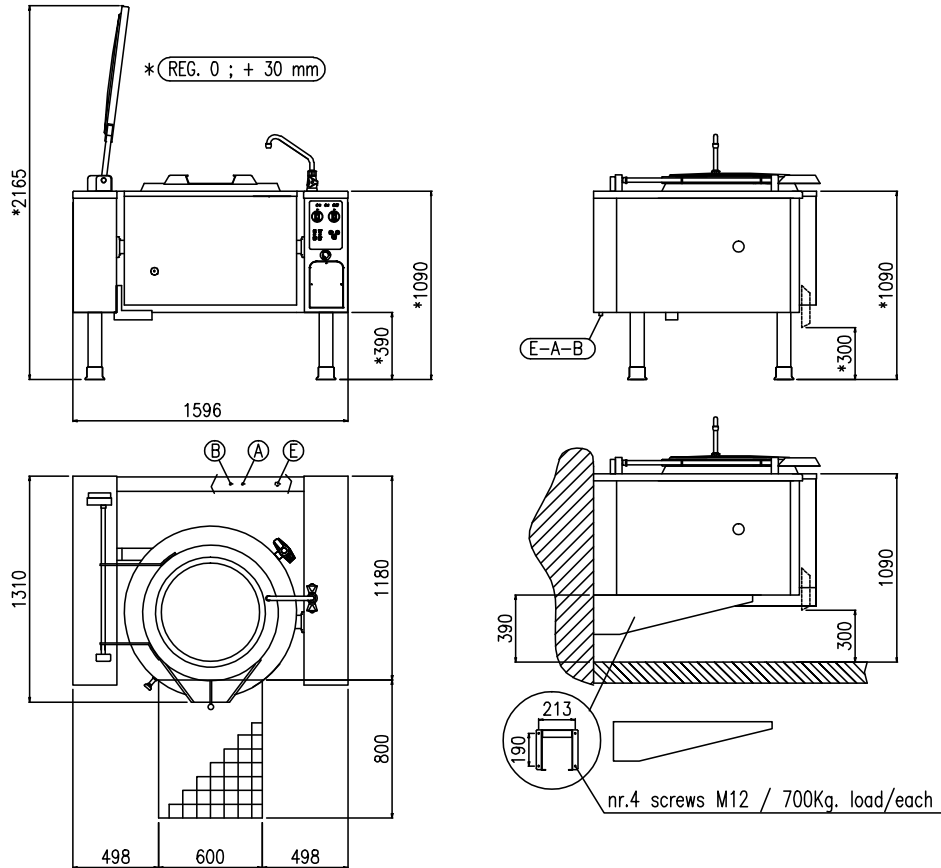


E	Potenza assorbita Electric power	Elektrische Leistung Puissance électrique	18.00 (kW)
E	Collegamento Elettrico Electric connection	Elektrische Verbindung Connexion électrique	380-415V 3 ~ 50/60Hz
A	Allacciamento Acqua Calda Hot water inlet	Warmwasseranschluss Raccordement eau chaude	3/4"
B	Allacciamento Acqua Fredda Cold water inlet	Kaltwasseranschluss Raccordement eau froide	3/4"

EASYBASKETT

medium line

TECHNICAL DRAWING MOD. PMK IE 200

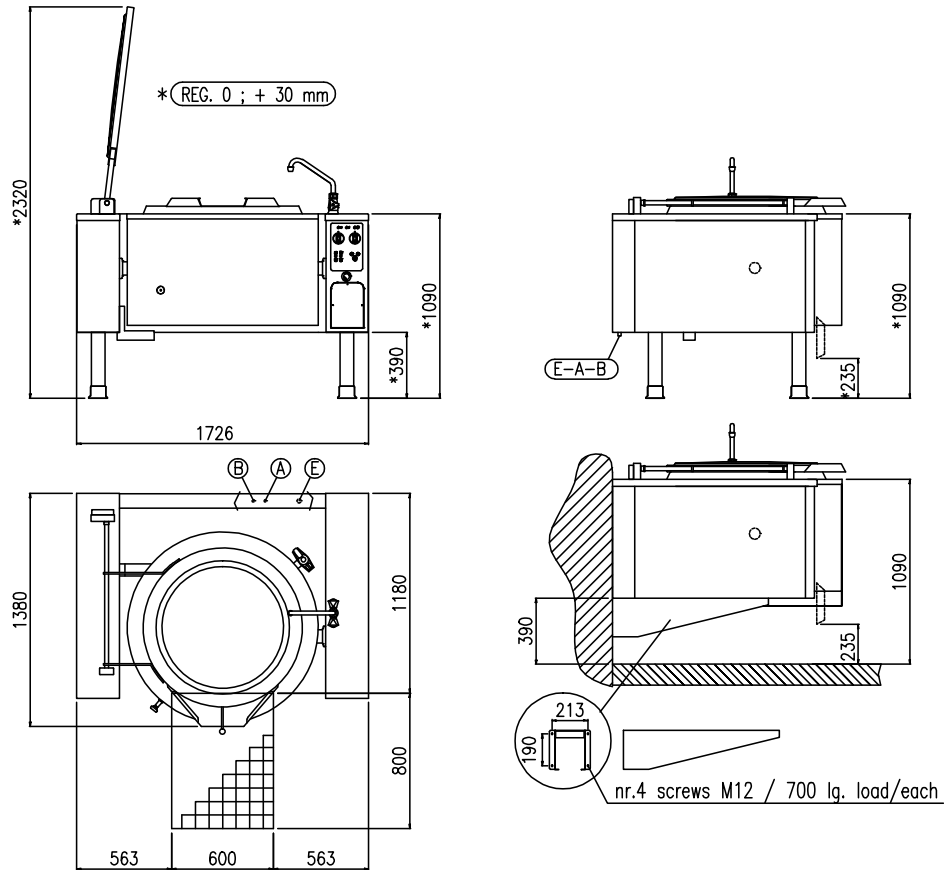


E	Potenza assorbita Electric power	Elektrische Leistung Puissance électrique	32.00 (kW)
E	Collegamento Elettrico Electric connection	Elektrische Verbindung Connexion électrique	380-415V 3 ~ 50/60Hz
A	Allacciamento Acqua Calda Hot water inlet	Warmwasseranschluss Raccordement eau chaude	3/4"
B	Allacciamento Acqua Fredda Cold water inlet	Kaltwasseranschluss Raccordement eau froide	3/4"

EASYBASKETT

medium line

TECHNICAL DRAWING MOD. PMK IE 300

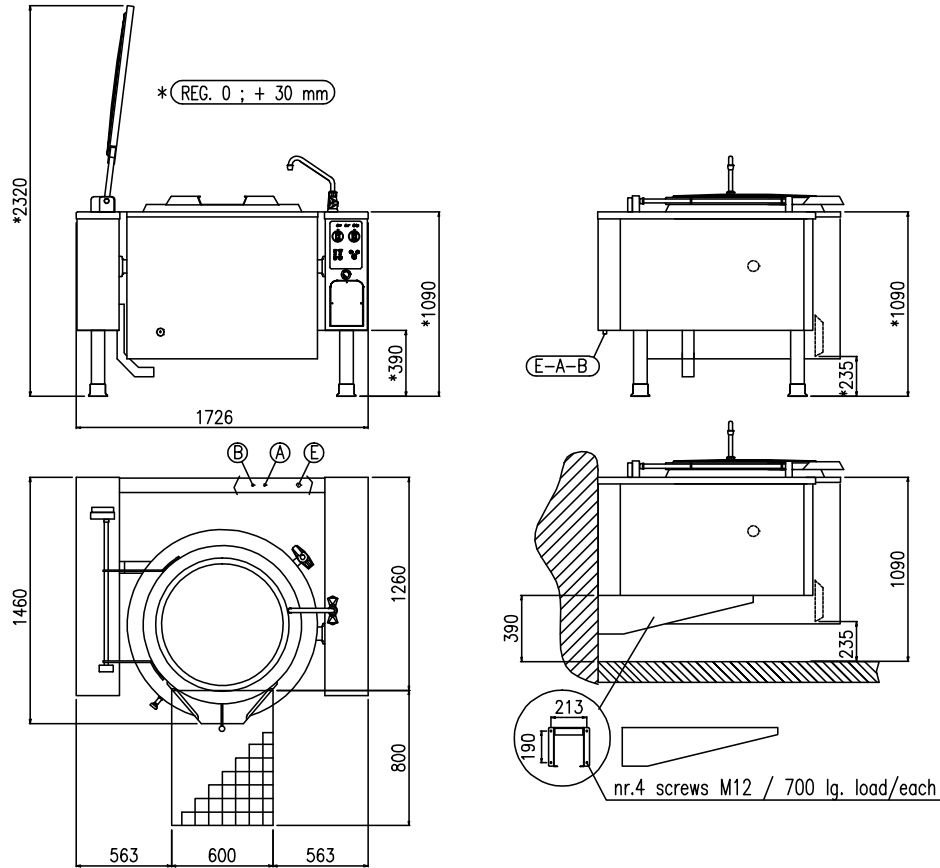


E	Potenza assorbita Electric power	Elektrische Leistung Puissance électrique	36.00 (kW)
E	Collegamento Elettrico Electric connection	Elektrische Verbindung Connexion électrique	380-415V 3 ~ 50/60Hz
A	Allacciamento Acqua Calda Hot water inlet	Warmwasseranschluss Raccordement eau chaude	3/4"
B	Allacciamento Acqua Fredda Cold water inlet	Kaltwasseranschluss Raccordement eau froide	3/4"

EASYBASKETT

medium line

TECHNICAL DRAWING MOD. PMK IE 500



E	Potenza assorbita Electric power	Elektrische Leistung Puissance électrique	36.00 (kW)
E	Collegamento Elettrico Electric connection	Elektrische Verbindung Connexion électrique	380-415V 3 ~ 50/60Hz
A	Allacciamento Acqua Calda Hot water inlet	Warmwasseranschluss Raccordement eau chaude	3/4"
B	Allacciamento Acqua Fredda Cold water inlet	Kaltwasseranschluss Raccordement eau froide	3/4"