

EASYBASKETT

medium line



EasyBaskett | Tilting Pans

EASYBASKETT is a functional boiling cooking machine that is easy to use, ideal for cooking large quantities of food, even foods with high acidity. In the indirect versions, the jacket system prevents products from sticking to the bottom and walls of the container during cooking.

The Potential of Firex tilting pans

The main construction features of these machines for professional catering and, especially, the use of quality materials guarantee high performance and maximum versatility. With this type of tilting kettles you can cook even large amounts of food without the products sticking to the bottom or walls.

DIRECT GAS HEATING

MODEL	CAPACITY lt	POWER kW	DIMENSIONS mm	NOTES
PMK DG 100	100	21	1445 x 1180 x 1090H	1N + PE AC 230V 50/60 Hz
PMK DG 150	150	21	1445 x 1180 x 1090H	
PMK DG 200	230	34.5	1596 x 1310 x 1090H	
PMK DG 300	330	48	1726 x 1380 x 1090H	



Easybaskett can be used for

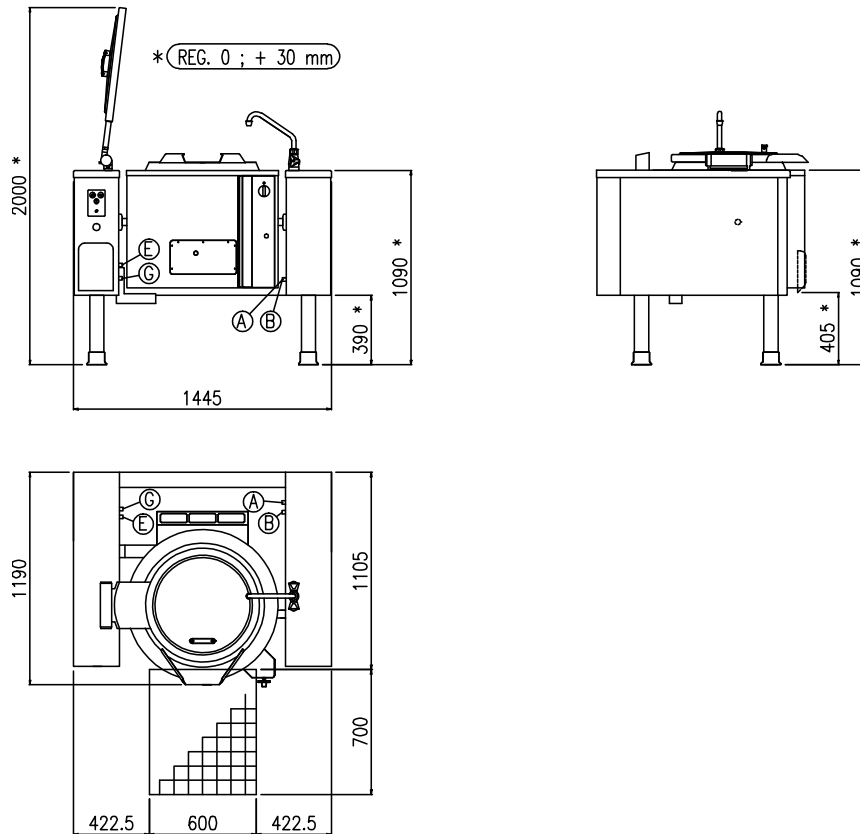
- Thick soups
- Thin soups
- Various types of boiled foods
- Broths
- Custards
- Puddings
- Jellies
- Dairy-based products

boiling | **braising** | pasteurising | **tilting** | mixing | cooling | frying | underpressure | vacuum cooking | cutting | washing | drying

EASYBASKETT

medium line

TECHNICAL DRAWING MOD. PMK DG 100

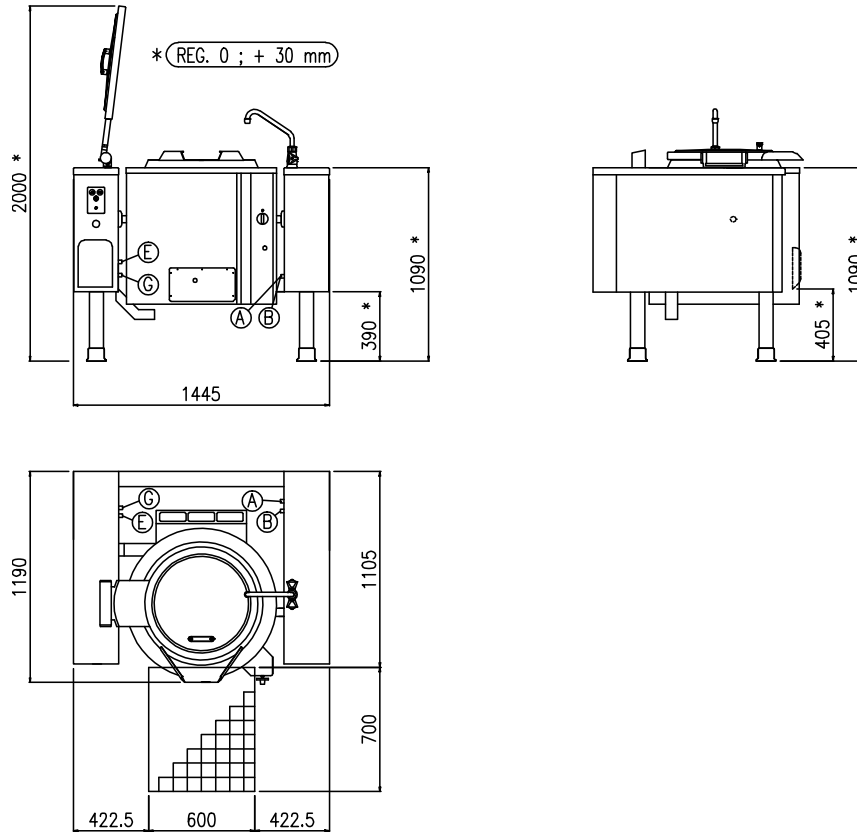


G	Attacco Gas (secondo ISO 7-1) Gas Connection (ISO 7-1)	Gasanschluss (ISO 7-1) Raccordement Gaz (ISO 7-1)	1/2"
E	Potenza assorbita Electric power	Elektrische Leistung Puissance électrique	.20 (kW)
E	Collegamento Elettrico Electric connection	Elektrische Verbindung Connexion électrique	220-240V 1N ~ 50/60Hz
A	Allacciamento Acqua Calda Hot water inlet	Warmwasseranschluss Raccordement eau chaude	3/4"
B	Allacciamento Acqua Fredda Cold water inlet	Kaltwasseranschluss Raccordement eau froide	3/4"

EASYBASKETT

medium line

TECHNICAL DRAWING MOD. PMK DG 150

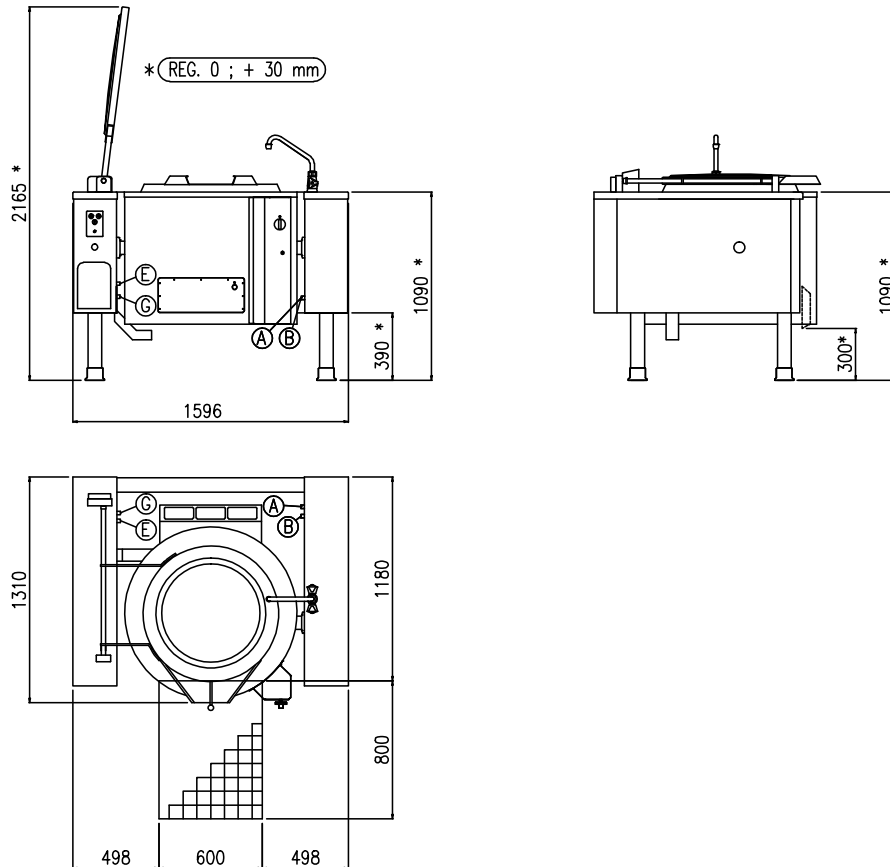


G	Attacco Gas (secondo ISO 7-1) Gas Connection (ISO 7-1)	Gasanschluss (ISO 7-1) Raccordement Gaz (ISO 7-1)	1/2"
E	Potenza assorbita Electric power	Elektrische Leistung Puissance électrique	.20 (kW)
E	Collegamento Elettrico Electric connection	Elektrische Verbindung Connexion électrique	220-240V 1N ~ 50/60Hz
A	Allacciamento Acqua Calda Hot water inlet	Warmwasseranschluss Raccordement eau chaude	3/4"
B	Allacciamento Acqua Fredda Cold water inlet	Kaltwasseranschluss Raccordement eau froide	3/4"

EASYBASKETT

medium line

TECHNICAL DRAWING MOD. PMK DG 200

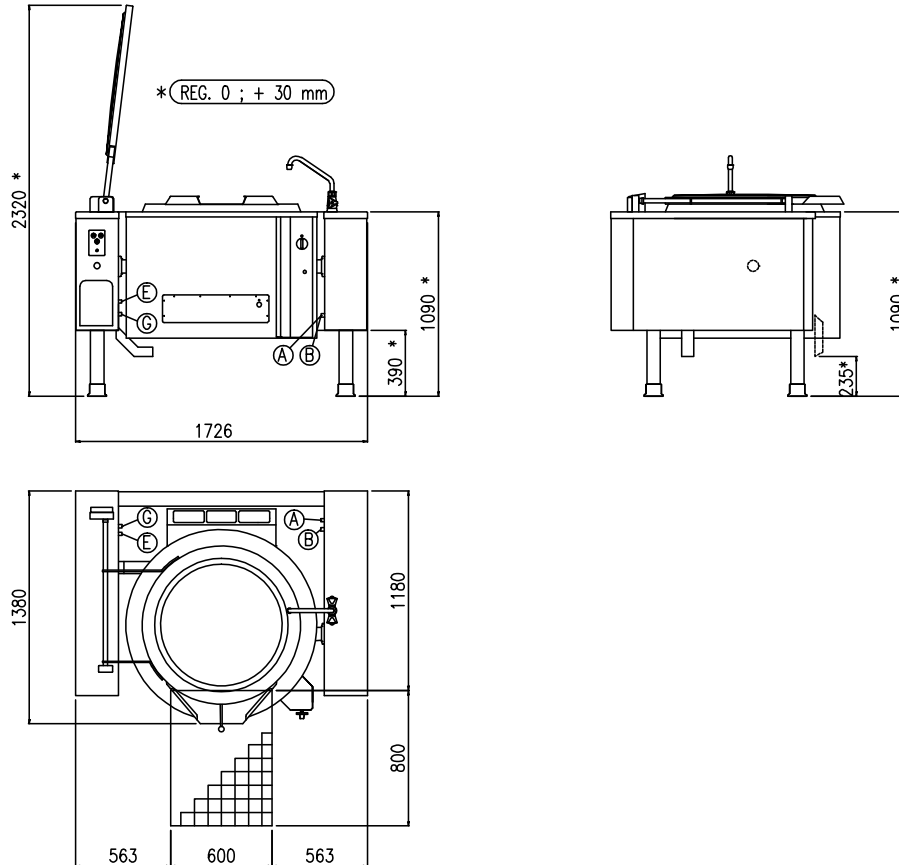


G	Attacco Gas (secondo ISO 7-1) Gas Connection (ISO 7-1)	Gasanschluss (ISO 7-1) Raccordement Gaz (ISO 7-1)	1/2"
E	Potenza assorbita Electric power	Elektrische Leistung Puissance électrique	.20 (kW)
E	Collegamento Elettrico Electric connection	Elektrische Verbindung Connexion électrique	220-240V 1N ~ 50/60Hz
A	Allacciamento Acqua Calda Hot water inlet	Warmwasseranschluss Raccordement eau chaude	3/4"
B	Allacciamento Acqua Fredda Cold water inlet	Kaltwasseranschluss Raccordement eau froide	3/4"

EASYBASKETT

medium line

TECHNICAL DRAWING MOD. PMK DG 300



G	Attacco Gas (secondo ISO 7-1) Gas Connection (ISO 7-1)	Gasanschluss (ISO 7-1) Raccordement Gaz (ISO 7-1)	1/2"
E	Potenza assorbita Electric power	Elektrische Leistung Puissance électrique	.20 (kW)
E	Collegamento Elettrico Electric connection	Elektrische Verbindung Connexion électrique	220-240V 1N ~ 50/60Hz
A	Allacciamento Acqua Calda Hot water inlet	Warmwasseranschluss Raccordement eau chaude	3/4"
B	Allacciamento Acqua Fredda Cold water inlet	Kaltwasseranschluss Raccordement eau froide	3/4"