

DREENER

vegetable washers



Dreener | Vegetable Washers

Removable walls on this professional vegetable washer allow you to divide the washing tank into multiple compartments and to wash different types and quantities of products at the same time, with obvious savings in water, time and energy.

Washing fruits and vegetables is easy and effective

Thanks to the new tilting baskets provided, washing fruits and vegetables is simple because the product can be retrieved easily, effortlessly and without the use of expensive motorized mechanisms. In addition, the special conformation of this automatic vegetable washer allows the complete disposal of the washing water at the end of the cycle. The drilled false bottom allows dirt to be deposited on the bottom of the tank, without allowing the food to pass through.

ELECTRIC VEGETABLE WASHERS

MODEL	CAPACITY lt	POWER kW	DIMENSIONS mm	VEGETABLE LOAD KG	
				light	heavy
LWD-2	150	1.1	900 x 700 x 850H	6.7	27
LWD-3	225	1.1	1200 x 700 x 850H	10	40
LWD-4	300	1.5	1500 x 700 x 850H	13.3	53

Electrical connection 3N+PE AC - 400V 50Hz.

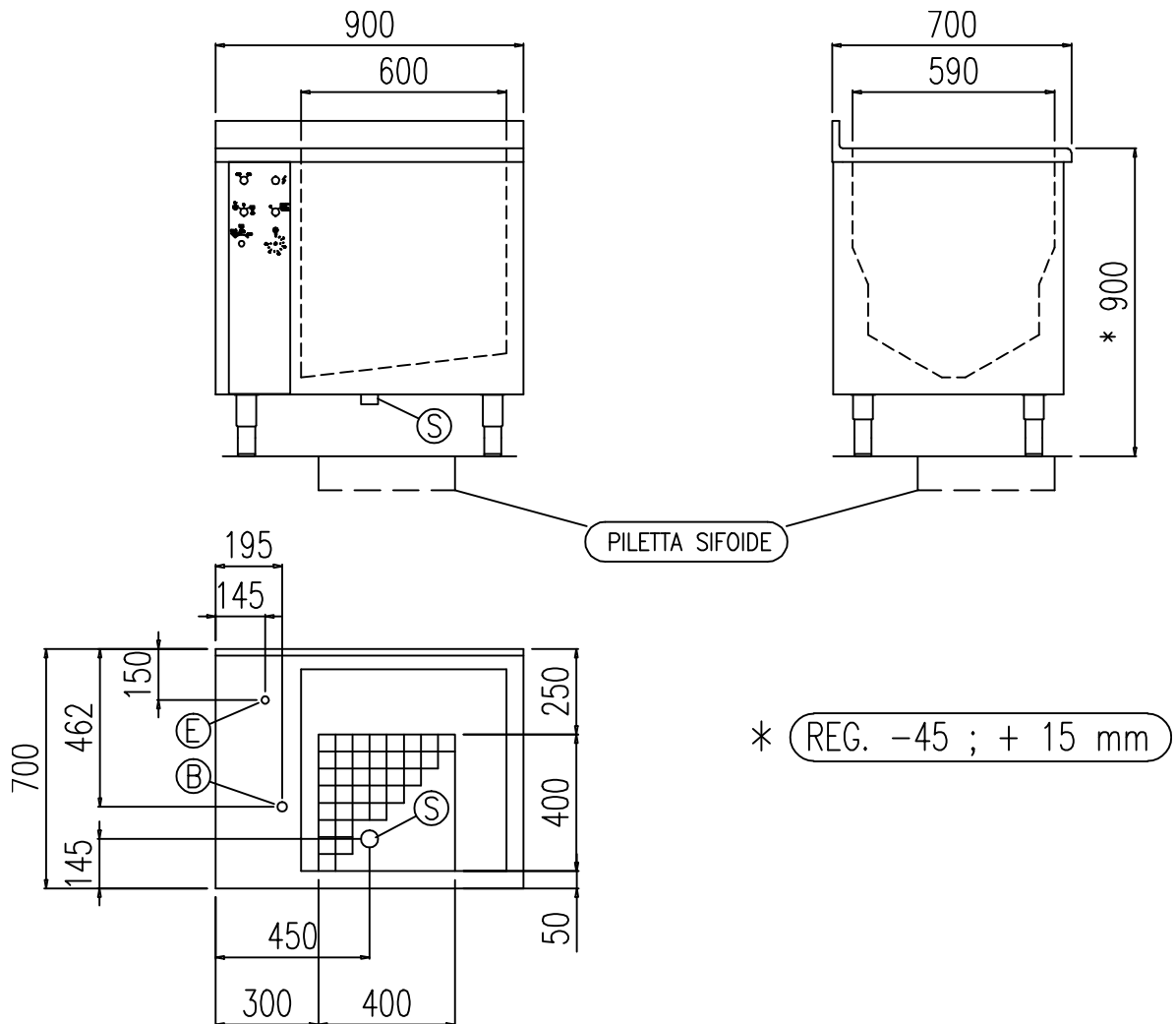


boiling | braising | pasteurising | tilting | mixing | cooling | frying | underpressure | vacuum cooking | cutting | **washing** | drying

DREENER

vegetable washers

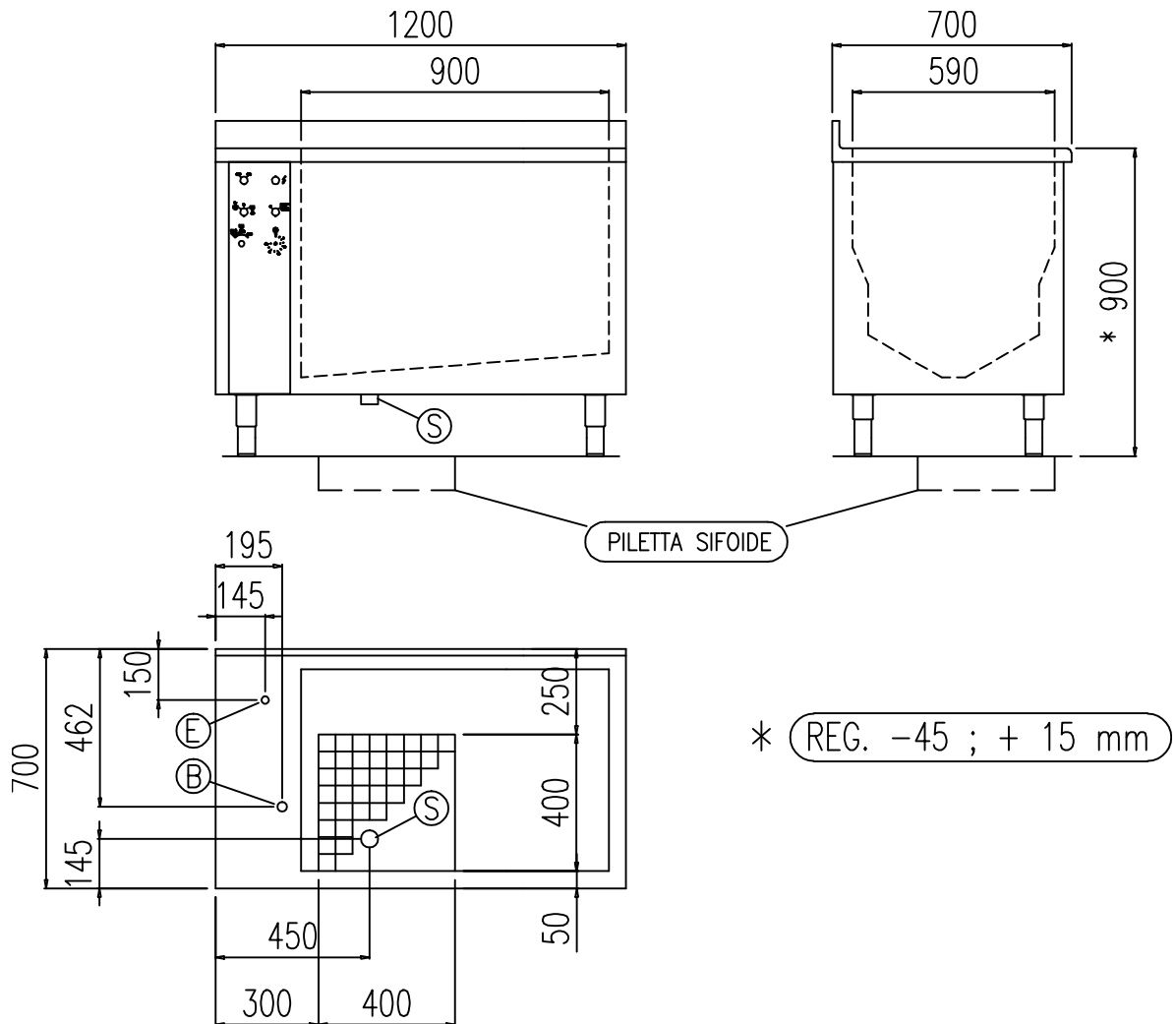
TECHNICAL DRAWING MOD. **LWD-2**



DREENER

vegetable washers

TECHNICAL DRAWING MOD. **LWD-3**



DREENER

vegetable washers

TECHNICAL DRAWING MOD. **LWD-4**

