



### Dreener | Centrifuge Dryers

In combination with the equipment for washing, the DRC700 vegetable centrifuge is a sturdy and extremely reliable accessory, indispensable to round out the equipment of any kitchen that wants to be truly professional.

### Washing fruits and vegetables is easy and effective

In food processing, in addition to washing, it is equally essential that the next phase of drying fruits and vegetables be just as accurate and effective. Thus, Firex offers a professional spin-dryer for vegetables available also with speed controller for delicate drying.

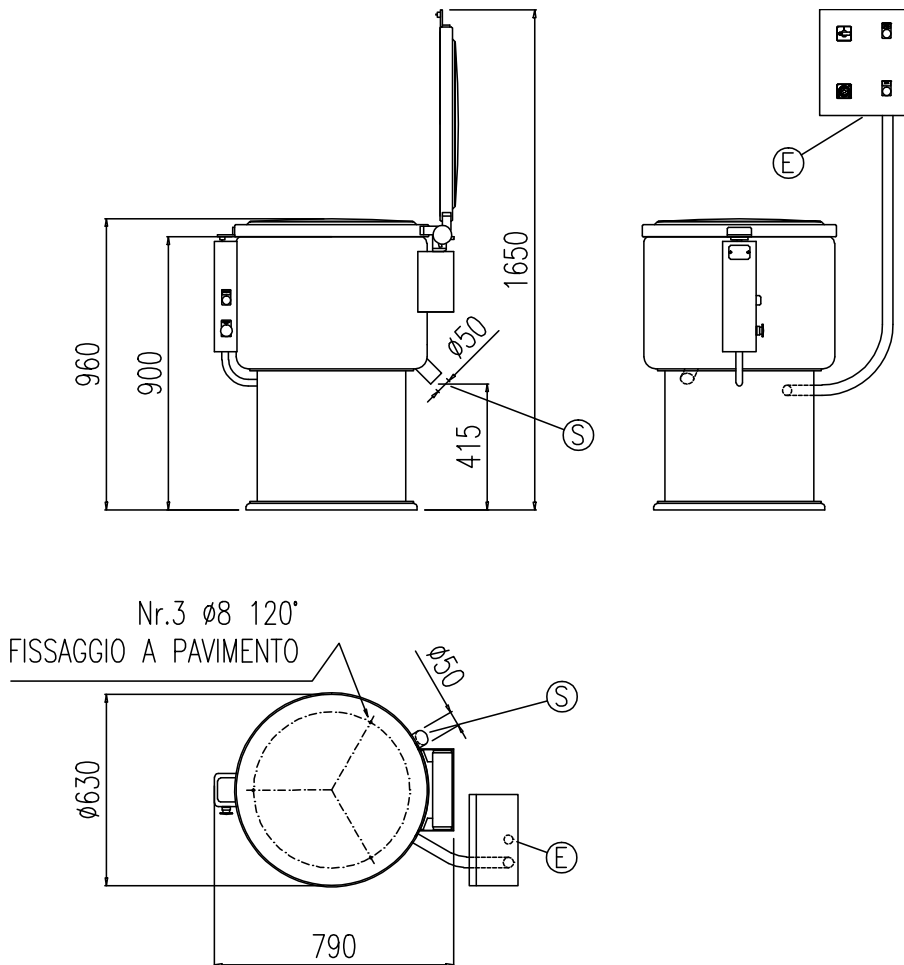
## ELECTRIC CENTRIFUGE DRYERS

MODEL	CAPACITY lt	POWER kW	DIMENSIONS mm	VEGETABLE LOAD KG	
				light	heavy
<b>DRC 700</b>	54	1.1	600 x 790 x 970H	9	15
Electrical connection 3+PE AC 400V 50/60Hz.					
<b>DRC 700V</b>	54	1.1	600 x 790 x 970H	9	15
Equipped with inverter for speed adjustment 1N+PE AC 230V 50/60Hz.					



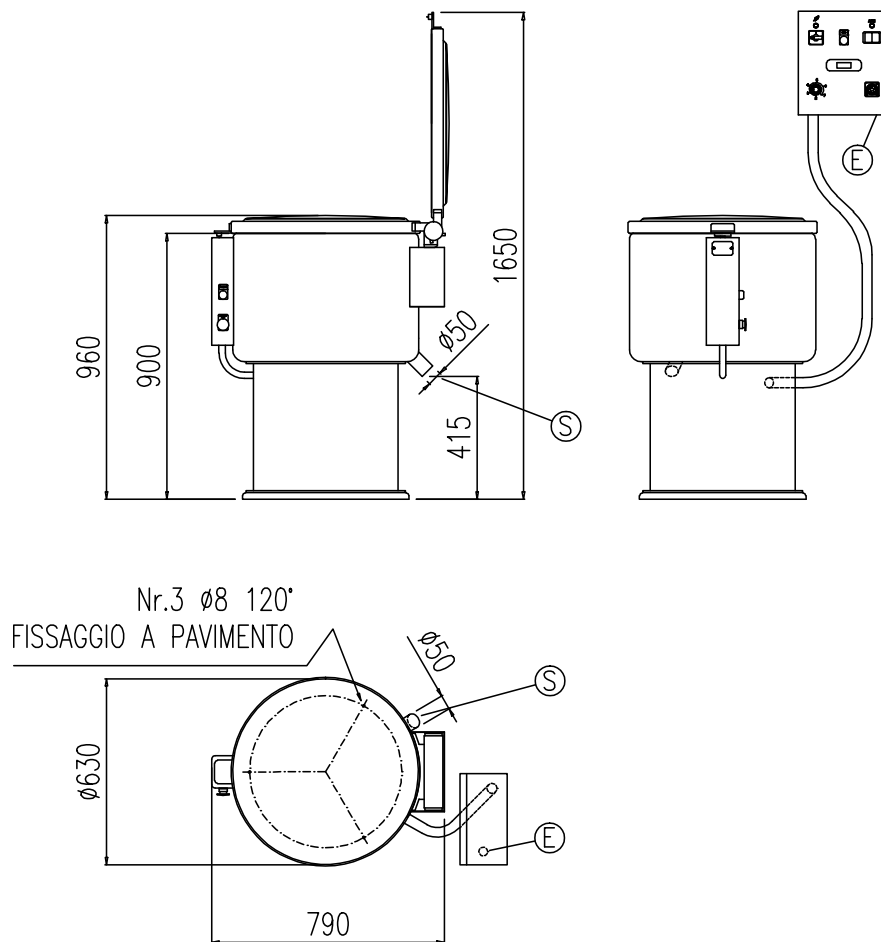
boiling | braising | pasteurising | tilting | mixing | cooling | frying | underpressure | vacuum cooking | cutting | **washing** | drying

TECHNICAL DRAWING MOD. DRC 700



<b>E</b>	<b>Potenza assorbita</b> Electric power	<b>Elektrische Leistung</b> Puissance électrique	<b>1.10 (kW)</b>
<b>E</b>	<b>Collegamento Elettrico</b> Electric connection	<b>Elektrische Verbindung</b> Connexion électrique	<b>380-415V 3 ~ 50/60Hz</b>

TECHNICAL DRAWING MOD. DRC 700V



<b>E</b>	<b>Potenza assorbita</b> Electric power	<b>Elektrische Leistung</b> Puissance électrique	<b>1.10 (kW)</b>
<b>E</b>	<b>Collegamento Elettrico</b> Electric connection	<b>Elektrische Verbindung</b> Connexion électrique	<b>220-240V 1N ~ 50/60Hz</b>