

MULTICOOKER

major line



Multicooker | Automatic Pasta Cookers

This range of machines for large-scale catering consists of models with one or two tanks, all equipped with individual baskets. The flexibility of the MULTICOOKER pasta cooker facilitates the traditional cooking of pasta in water ensuring speed and safety of working cycles, constant product quality and the best use of human resources.

Flexible and functional cookers for restaurants

The flexibility of the Multicooker automatic pasta machine allows it to be used for a large part of the traditional systems of cooking in water: the cooking of pasta, rice, soups, white and red meat, vegetables, etc.

INDIRECT STEAM HEATING 0.5 BAR DOUBLE BASKET

MODEL	CAPACITY lt	POWER kW	DIMENSIONS mm	BASKETS no.	PANS no.	PASTA LOAD kg
CPM IV 2-12	135 + 135	(44 - 54) x 2	1600 x 900 x 900H	2	2	(12 - 15) x 2
CPM IV 2-18	188 + 188	(56 - 72) x 2	2000 x 900 x 900H	2	2	(18 - 23) x 2
CPM IV 2-24	242 + 242	(68 - 88) x 2	2400 x 900 x 900H	2	2	(24 - 30) x 2



Multicooker can be used for

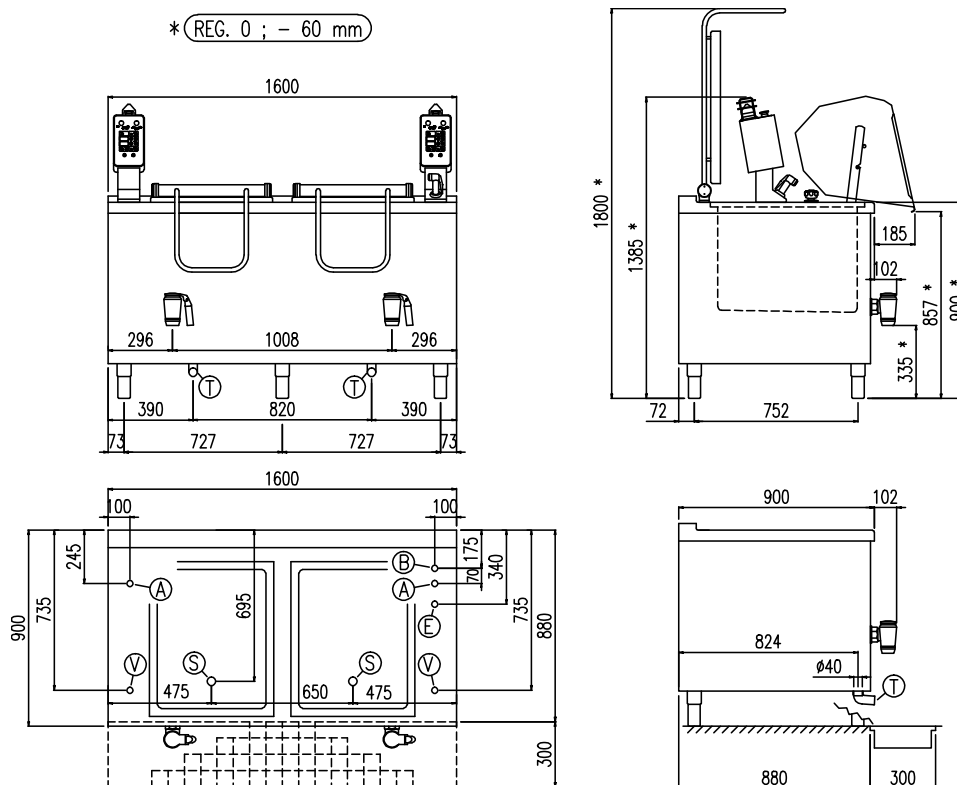
- Broths
- Rice
- Pasta
- Fish
- Meat
- Eggs
- Vegetables
- Legumes

boiling | braising | pasteurising | **tilting** | mixing | **cooling** | frying | underpressure | vacuum cooking | cutting | washing | drying

MULTICOOKER

major line

TECHNICAL DRAWING MOD. CPM IV 2-12



E	Potenza assorbita Electric power	Elektrische Leistung Puissance électrique	.80 (kW)
E	Collegamento Elettrico Electric connection	Elektrische Verbindung Connexion électrique	220-240V 1N ~ 50Hz
V	Allacciamneto Vapore Steam connection	Dampfanschluss Connexion vapeur	1"
S	Scarico Condensa Condensate drain	Kondenswasserablauf Sortie du condenseur	3/4"
A	Allacciamento Acqua Calda Hot water inlet	Warmwasseranschluss Raccordement eau chaude	1/2"

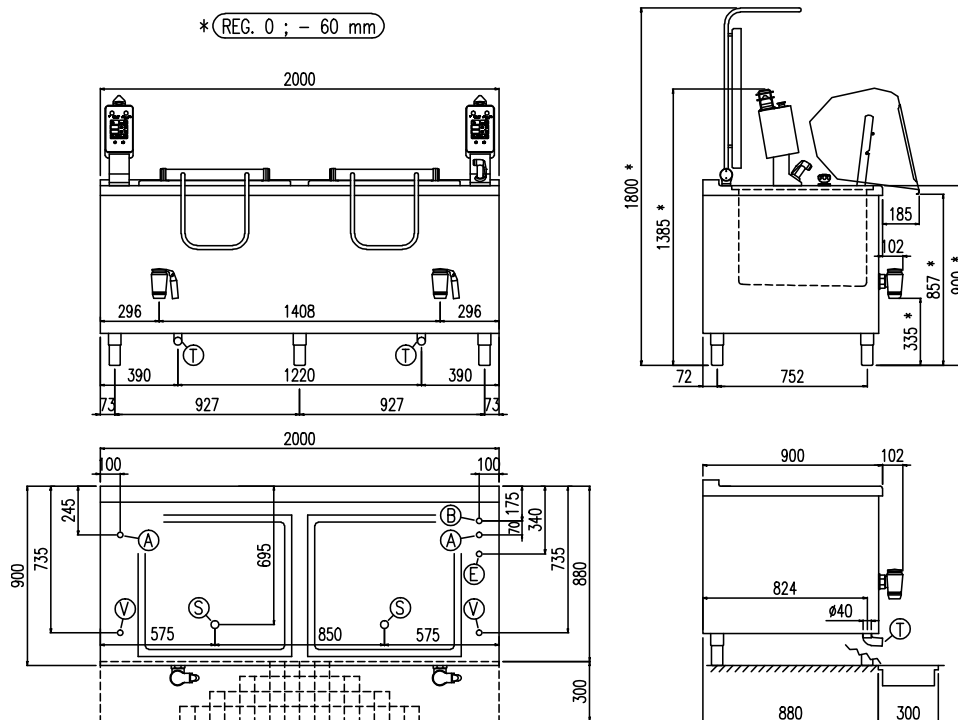
Optional : CADE0024

B	Allacciamento Acqua Fredda Cold water inlet	Katlwasseranschluss Raccordement eau froide	1/2"
----------	---	--	-------------

MULTICOOKER

major line

TECHNICAL DRAWING MOD. CPM IV 2-18



E	Potenza assorbita Electric power	Elektrische Leistung Puissance électrique	.80 (kW)
E	Collegamento Elettrico Electric connection	Elektrische Verbindung Connexion électrique	220-240V 1N ~ 50Hz
V	Allacciamneto Vapore Steam connection	Dampfanschluss Connexion vapeur	1"
S	Scarico Condensa Condensate drain	Kondenswasserablauf Sortie du condenseur	3/4"
A	Allacciamento Acqua Calda Hot water inlet	Warmwasseranschluss Raccordement eau chaude	1/2"

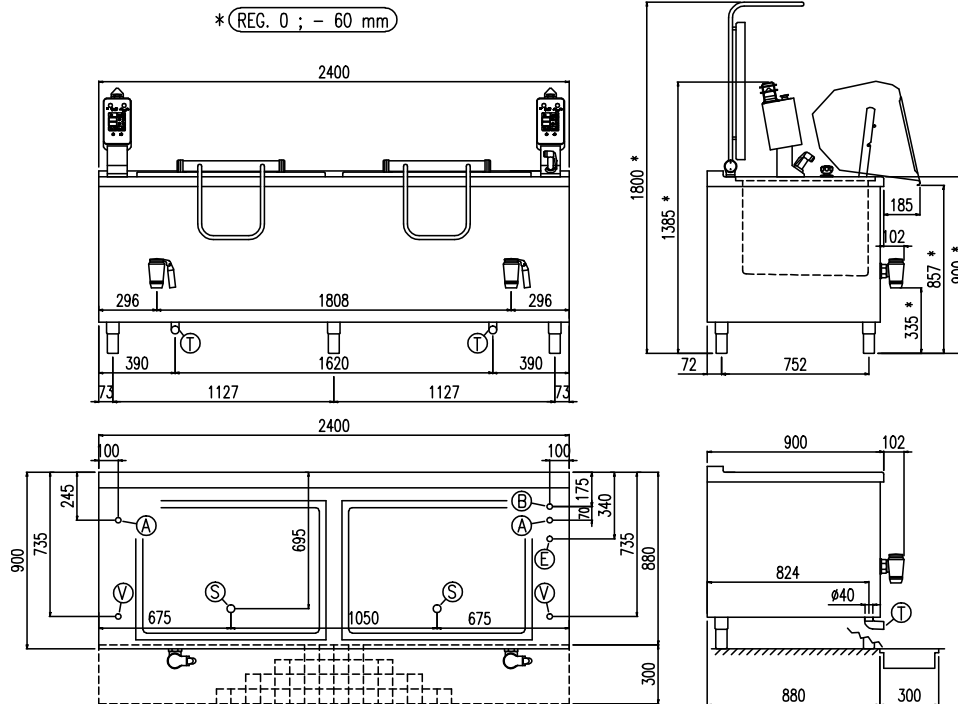
Optional : CADE0024

B	Allacciamento Acqua Fredda Cold water inlet	Katlwasseranschluss Raccordement eau froide	1/2"
----------	---	--	-------------

MULTICOOKER

major line

TECHNICAL DRAWING MOD. CPM IV 2-24



E	Potenza assorbita Electric power	Elektrische Leistung Puissance électrique	.80 (kW)
E	Collegamento Elettrico Electric connection	Elektrische Verbindung Connexion électrique	220-240V 1N ~ 50Hz
V	Allacciamneto Vapore Steam connection	Dampfanschluss Connexion vapeur	1"
S	Scarico Condensa Condensate drain	Kondenswasserablauf Sortie du condenseur	3/4"
A	Allacciamento Acqua Calda Hot water inlet	Warmwasseranschluss Raccordement eau chaude	1/2"

Optional : CADE0024

B	Allacciamento Acqua Fredda Cold water inlet	Katlwasseranschluss Raccordement eau froide	1/2"
----------	---	---	-------------