

# CUCIMIX

major line



## Cucimix | Tilting Bratt Pans

Safety, reliability, better quality of the finished product, greater availability of human resources, savings in time and money can be summed up in one word: CUCIMIX. It is a gas or electric tilting bratt pan with direct heating and built-in mixer, designed for large catering services and the food industry.

## Catering equipment with electronic control

Cucimix is a truly versatile, compact all-in-one multifunctional industrial sauce maker that allows you to work automatically, without requiring constant control on the part of kitchen staff and available in electric and gas versions. Bolognese sauce, risotto, soups, stews, sauces, pasta, jams, creams and mirepoix are just a few examples of the potential of this bratt pan.

## DIRECT ELECTRIC HEATING

MODEL	CAPACITY lt	POWER kW	DIMENSIONS mm	NOTES
CBTG 070	70	13.5	1000 x 830 x 940H	0.6 kW - 1N + PE AC 230V 50 Hz



## Cucimix can be used for

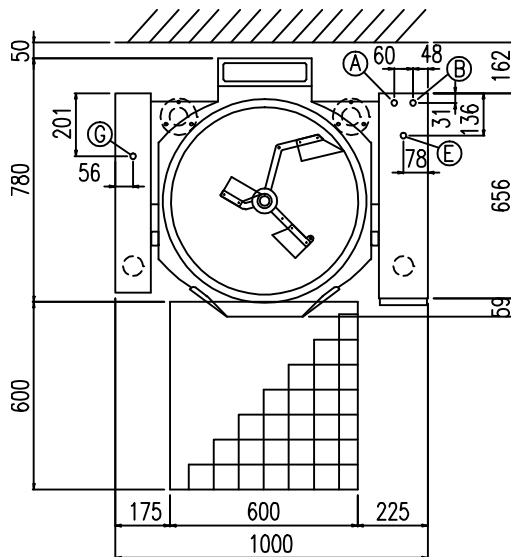
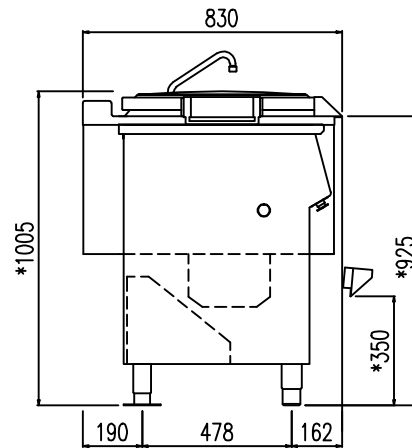
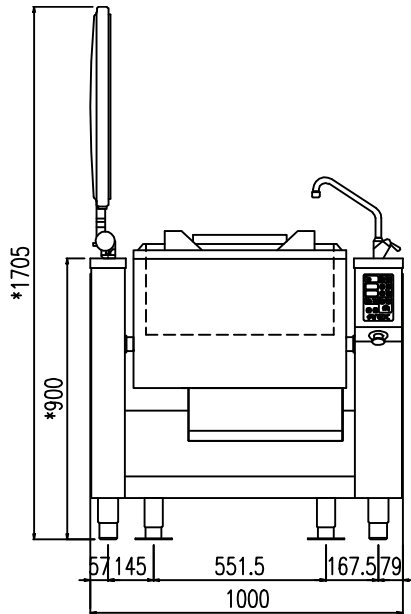
- Mirepoix
- Bolognese sauce/pasta sauces
- Risottos
- Stew
- Polenta
- Caramel
- Jams and marmalades
- Vegetable stew

**boiling** | **braising** | pasteurising | **tilting** | **mixing** | cooling | frying | underpressure | vacuum cooking | cutting | washing | drying

# CUCIMIX

major line

TECHNICAL DRAWING MOD. **CBTG 070**



\* (REG. 0 ; + 60 mm)