

Royal line



MODEL SDMCP65E

THE ALL-IN COOKING CENTER

General characteristics

The Royal line of Baron is conceived according to the strictest international norms for safety, hygiene and reliability. The use of stainless steel of the highest grade and gauges is extensive.

High performance, long life and ergonomic usage are the keys of this line.

MULTI TASK BRATT PAN

The multi task Royal line bratt pan is the ideal appliance for various types of cooking: boiling in water or bain-marie, steam and pressure cooking, fryng, contact cooking, mixed cooking with or without pressure.

Technical/functional characteristics

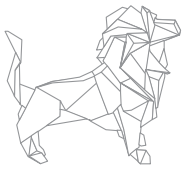
- AISI 304 construction
- 12 kW total power
- Motorised tilting
- Tank capacity: 20 lt
- S/s tank
- Dimensions: 650x920x870 mm



Technical Data

DIMENSIONS	
WIDTH (mm)	650
DEPTH (mm)	920
HEIGHT (mm)	870

TANK CAPACITY (lt)	20
TANK DIMENSIONS (mm)	330x590x165
ELECTRIC POWER (kW)	12
ELECTRIC CONNECTION (V/-/HZ)	400 3N 50/60Hz

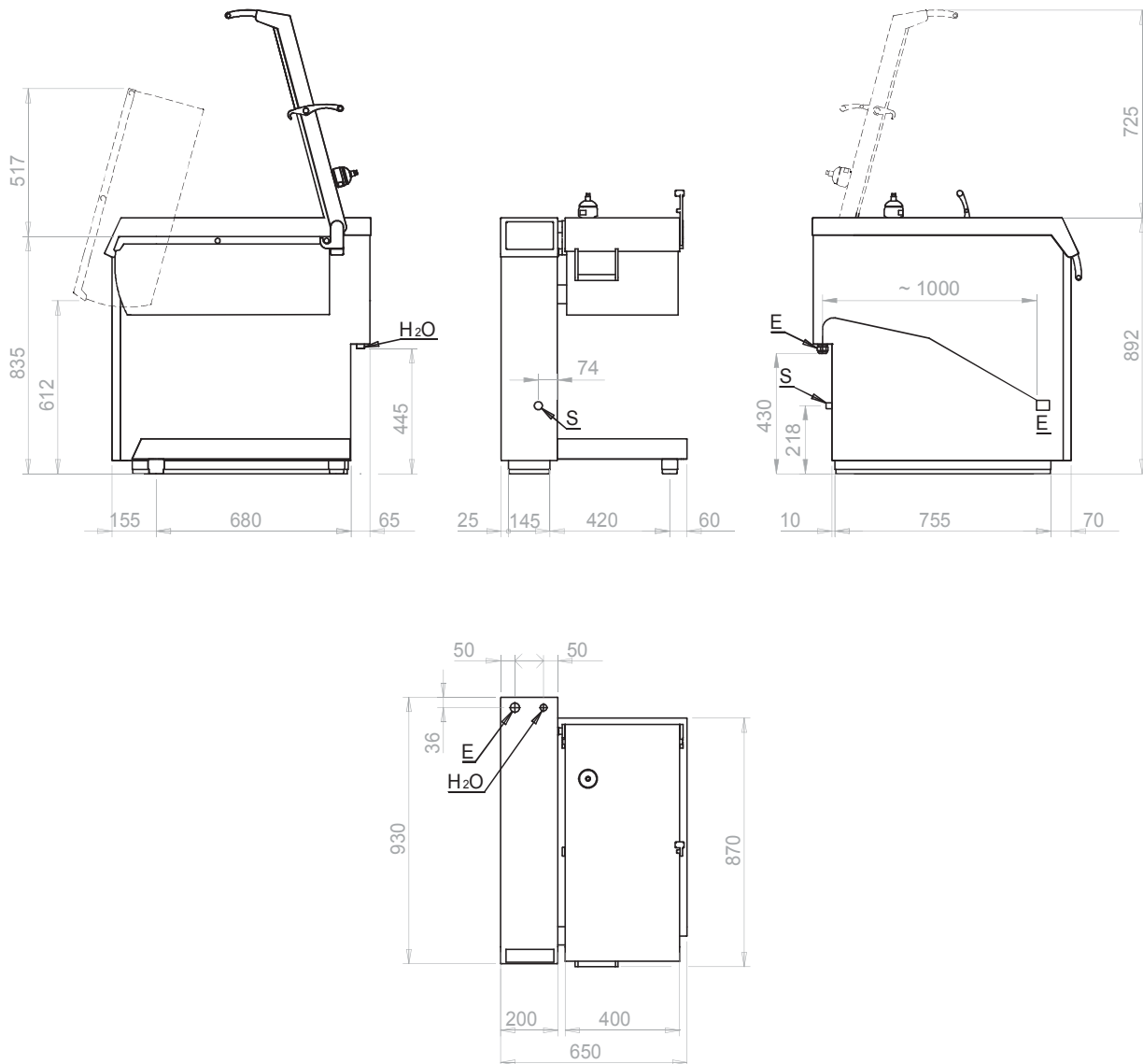


Royal line



MODEL SDMCP65E

THE ALL-IN COOKING CENTER



LEGENDA

- H₂O Water inlet EN ISO 228-1 G 3/4
- E Electric cable stress relief
- S Water outlet EN ISO 228-1 G 3/4

Dimensioni in mm