

Royal line



MODEL SDG12G

THE GAS BARBECUE

General characteristics

The Royal line of Baron is conceived according to the strictest international norms for safety, hygiene and reliability. The use of stainless steel of the highest grade and gauges is extensive.

High performance, long life and ergonomic usage are the keys of this line.



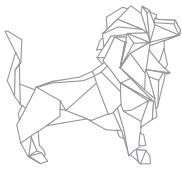
Technical/functional characteristics

- AISI 304 construction
- 32 kW (gas) total power
- Cast iron burners, pilot flame and thermocouple
- 4 independent heating zones
- Reversible cast iron grids
- Dimensions: 1200x920x280 mm
- Cooking area: 1080x535 mm

Technical Data

DIMENSIONS	
WIDTH (mm)	1200
DEPTH (mm)	920
HEIGHT (mm)	280

GAS POWER (kW)	32
COOKING AREA (cm)	1080x535

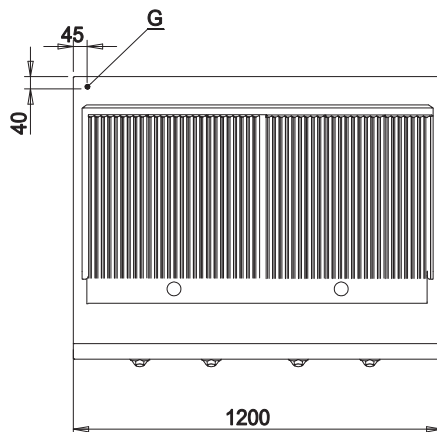
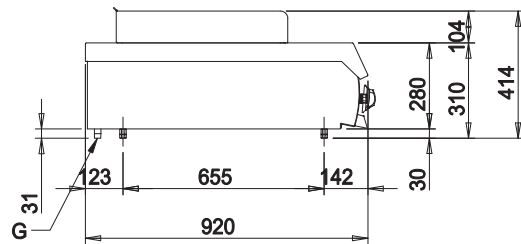
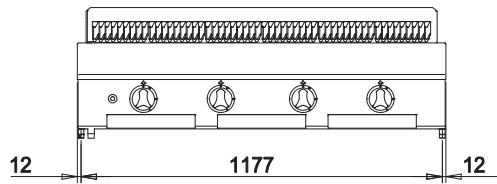


Royal line



MODEL SDG12G

THE GAS BARBECUE



LEGENDA

G Gas connection
EN 10226-1 R 1/2; EN ISO 228-1 G 1/2 (DK)