

SERIE 900

Code CR0786779 **Model** 90SP/E400



CHIPS SCUTTLE - TOP VERSION

General characteristics

The 900 BARON line is made in compliance with strict European Standards in terms of safety, hygiene, reliability and respect for the environmental and is certified under international standards such as CE, GOST, AGA and others. Stainless steel with scotch-brite finish heightens the aesthetic appeal, and the technological and ergonomic innovation of this equipment. Thanks to great compositional flexibility,

cook tops can be matched with oven bases and accessorised with hygienic finishes. Customised line-ups are possible by combining and fixing the equipment back to back, flushed sideways with perfectly sealed connections, or by creating "bridge" structures, offering top solutions to any chef. Basic range features:

- 2 mm thick moulded tops;
- 2" height adjustable stainless steel feet;
- removable control panel for access, moulded and shaped to avoid withholding dirt;
- recessed, tilted and ergonomic knobs.



POTATO WARMER

The chips scuttle keeps fried food warm and crispy and is normally combined with fryer.

Technical/functional characteristics

- The chips scuttle keeps fried food warm and crispy and is normally combined with fryer.
- Greater resistance with infrared radiation
- Lower resistance underneath the tub
- Adjustable temperature from 30 to 90°C via thermostat

Technical Data

Dimensions	
Width (mm)	400
Depth (mm)	900
Height (mm)	250
Gas connection (Ø)	-
Electric connection (V/~ /HZ)	230
Cold water connection (Ø)	-
Hot water connection (Ø)	-

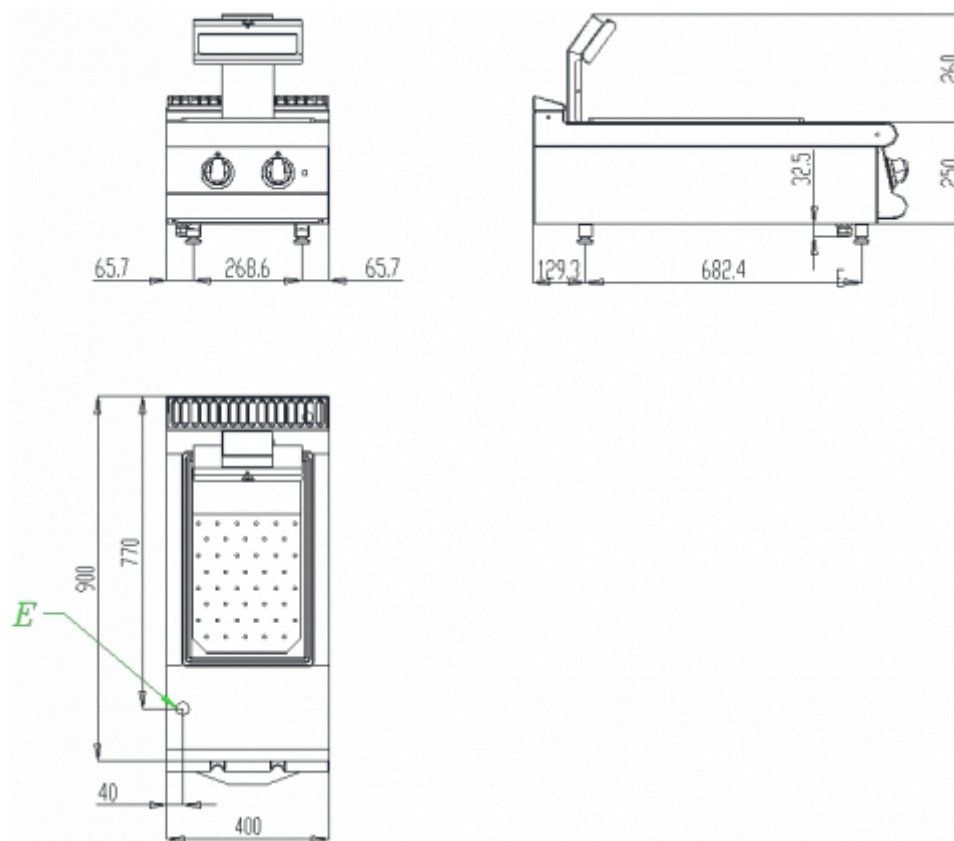
Cold soft water connection (Ø)	-
Drain (Ø)	-
Gas power (KW)	-
Electric power (KW)	2
Plate dimensions (mm)	-
Tank capacity (Lt)	-
TANK DIMENSIONS	-
Internal ovens dimension(mm)	-

SERIE 900

Code CR0786779 Model 90SP/E400



CHIPS SCUTTLE - TOP VERSION



Code	Description
8031900350	LEFT SIDE FINISHING END PIECE FOR 900 LINE
8031900460	FIXED SIDE TOP - RIGHT - 900 SERIE
8031900211	SIDE SUPPORTING TIP TOP - RIGHT - 900 SERIE
8031900470	FIXED SIDE TOP - LEFT - 900 SERIE
8031900221	SIDE SUPPORTING TIP TOP - LEFT - 900 SERIE
8031900340	RIGHT SIDE FINISHING END PIECE FOR 900 LINE