

SERIE 900

Code CR0951749 **Model** 90PF/ED150



ELECTRIC BOILING PAN - INDIRECT HEATING 150 LT - AUTOCLAVE

General characteristics

The 900 BARON line is made in compliance with strict European Standards in terms of safety, hygiene, reliability and respect for the environmental and is certified under international standards such as CE, GOST, AGA and others. Stainless steel with scotch-brite finish heightens the aesthetic appeal, and the technological and ergonomic innovation of this equipment. Thanks to great compositional flexibility,

cook tops can be matched with oven bases and accessorised with hygienic finishes. Customised line-ups are possible by combining and fixing the equipment back to back, flushed sideways with perfectly sealed connections, or by creating "bridge" structures, offering top solutions to any chef. Basic range features:

- 2 mm thick moulded tops;
- 2" height adjustable stainless steel feet;
- removable control panel for access, moulded and shaped to avoid withholding dirt;
- recessed, tilted and ergonomic knobs.



BOILING PANS

Choosing a direct or indirect boiling pan depends on the desired cooking methods: direct heating pots are more suitable for boiling water and broths, whereas the indirect pots are recommended for cooking denser and jelly-type foods.

Technical/functional characteristics

- Water filled via two solenoid valves;
- Water drained with 2" valve
- AISI 316 stainless steel container bottom
- No water in the interspace indicator light;
- Safety thermostat to interrupt heating until restore of sufficient water level;
- 3 steel heating elements outside the container bottom, or 2 armoured heating element units inside the interspace.

Technical Data

Dimensions	
Width (mm)	800
Depth (mm)	900
Height (mm)	870
Gas connection (Ø)	-
Electric connection (V~/HZ)	400
Cold water connection (Ø)	3/4"
Hot water connection (Ø)	3/4"

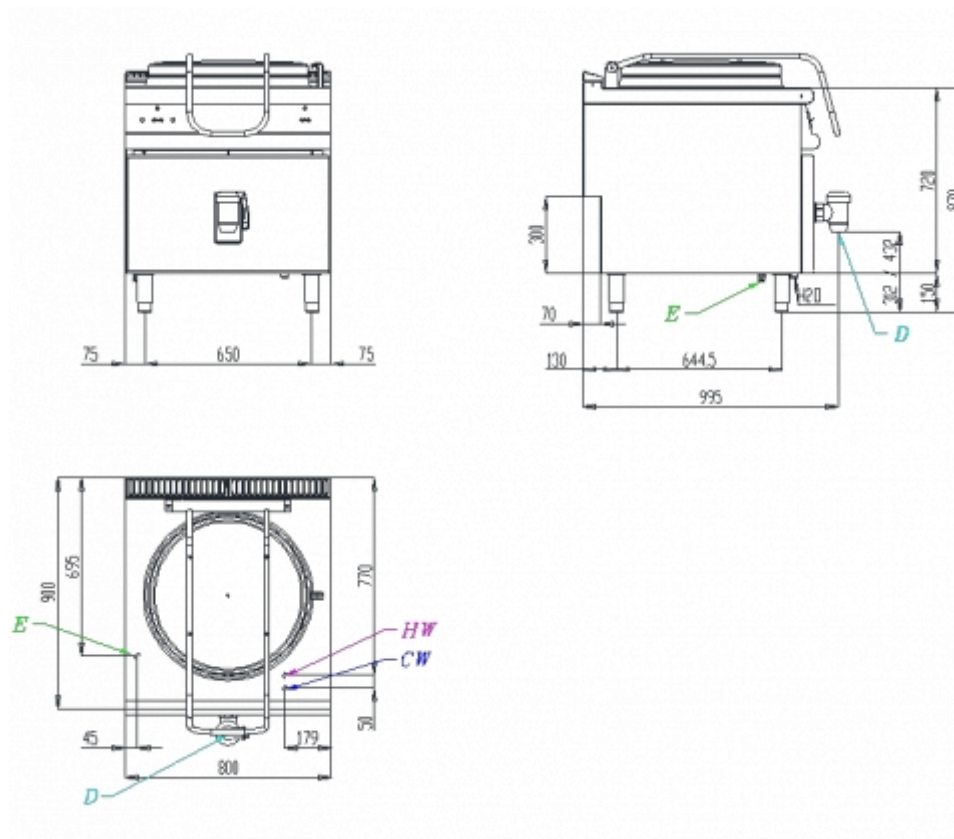
Cold soft water connection (Ø)	-
Drain (Ø)	1 1/2"
Gas power (KW)	-
Electric power (KW)	12
Plate dimensions (mm)	-
Tank capacity (Lt)	150
TANK DIMENSIONS	-
Internal ovens dimension(mm)	-

SERIE 900

Code CR0951749 **Model** 90PF/ED150



ELECTRIC BOILING PAN - INDIRECT HEATING 150 LT - AUTOCLAVE



Code	Description
8031920600	KIT 4 SWIVELLING CASTOR (2 WITH BRAKE)
8031900221	SIDE SUPPORTING TIP TOP - LEFT - 900 SERIE
8031920160	DOWNDRAUGHT DIVERTER
9CPP152S	BASKET 2 SECTION FOR BOILING PAN 150 LT - HOLE Ø 3 MM
8031900340	RIGHT SIDE FINISHING END PIECE FOR 900 LINE
8031920170	FLUE RISER
0592399	CLOSING PANEL FOR 900 SERIE
9CPP153S	BASKET 3 SECTION FOR BOILING PAN 150 LT - HOLE Ø 3 MM
8031900350	LEFT SIDE FINISHING END PIECE FOR 900 LINE
8031920180	EXTENSION FOR DOWNDRAUGHT DIVERTER
0592790	FRONTAL KICK PLATE W=800
CR0982789	SIDE KICK PLATE 900 SERIE
8031900460	FIXED SIDE TOP - RIGHT - 900 SERIE
8031920440	REAR SPLASH-BACK (FALSE CHEMNEY) W=800
8031900211	SIDE SUPPORTING TIP TOP - RIGHT - 900 SERIE
8031900470	FIXED SIDE TOP - LEFT - 900 SERIE