

SERIE 900

Code CR0786329

Model 90FTTF/G820



GAS GRIDDLE WITH 2/3 SMOOTH 1/3 RIBBED PLATE ON GAS OVEN

General Characteristics

The 900 Baron line is made in compliance with strict European Standards in terms of safety, hygiene, reliability and respect for the environmental and is certified under international standards such as CE, GOST, AGA and others. Stainless steel with scotch-brite finish heightens the aesthetic appeal, and the technological and ergonomic innovation of this equipment. Thanks to great compositional flexibility, cook tops can be matched with oven bases and accessorised with hygienic finishes. Customised line-ups are possible by combining and fixing the equipment back to back, flushed sideways with perfectly sealed connections, or by creating "bridge" structures, offering top solutions to any chef. Basic range features:

- 2 mm thick moulded tops;
- 2" height adjustable stainless steel feet;
- removable control panel for access, moulded and shaped to avoid withholding dirt;
- recessed, tilted and ergonomic knobs.



GRIDDLE PLATES

Excellent for cooking easily digestible dishes in natural ways, the griddle plates are characterized by an extraordinarily temperature uniformity, high production, easy cleaning and maximum reliability over time.

Technical/Functional Characteristics

- Lowered griddle compared to the 4 cm top and tilted towards the machine front by 1 cm to drain the fat;
- Wide drawer for fat collection;
- Available with soft iron griddle or polished chrome griddle.
- Stable flame burners with piezo-electric ignition
- Independent controls every 40 cm wide module
- Temperature adjustment from 200°C to 400°C with thermocouple safety valve or from 100°C to 280°C with thermostatic valve. Adjustment is from 100°C to 280°C for the chrome version

Gas oven

- Stainless steel cooking area (53x70x30cm), thermally insulated and equipped with 3 antitipping guides for 2/1 Gastronorm containers;
- Very thick cast iron radiant hearth for efficient heat distribution;
- Perfectly insulated stainless steel door and inner door, fitted on self-balanced hinges;
- Full length thermally insulated ergonomic handle;
- Stabilised flame burner housed below the base plate;
- Pilot burner with piezo-electric and manual ignition;
- Automatic valve with gas safety thermocouple;
- Thermostatic temperature control from 110 to 330°C;

Technical Data

DIMENSIONS	
Width (mm)	800
Depth (mm)	900
Height (mm)	870
Gas connection (Ø)	1/2"
Electric connection (V/~ /HZ)	
Cold water connection (Ø)	
Hot water connection (Ø)	

Cold soft water connection (Ø)	
Drain (Ø)	
Gas power (mm)	22,5
Electric power (mm)	
Plate dimensions (mm)	735x700
Tank capacity (Lt)	
TANK DIMENSIONS	
Internal ovens dimension(mm)	530 x 700 x 300



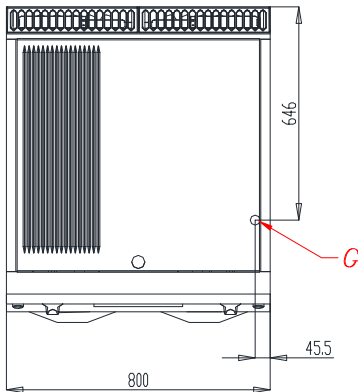
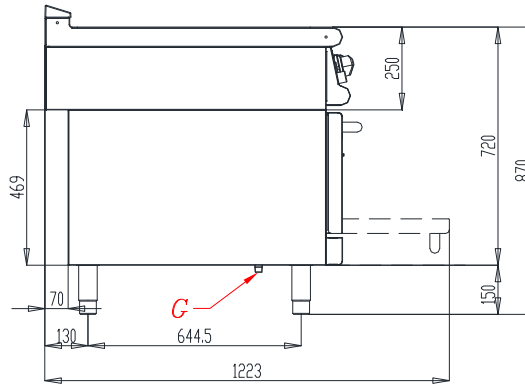
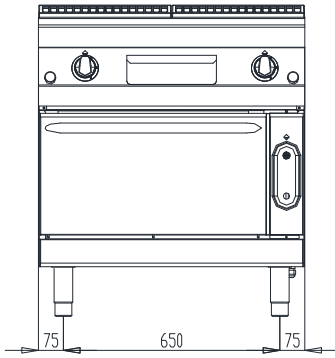
SERIE 900

Code CR0786329

Model 90FTTF/G820



Installation Layout



G gas connection | E electric connection | CW cold water connection | HW hot water connection | SW soft cold water connection | D drain

Accessories

Code	Description
0592119	FRY TOP SPLASHBACK W=800
97310900	SCRAPER FOR CHROMIUM SMOOTH PLATE VERSION
97311900	SCRAPER FOR RIBBED PLATE VERSION
9GF	CHROMED-WIRED GRID FOR 900 SERIE OVEN
GNB2/1-40	S/S TRAY GN2/1 H40 MM FOR 900 SERIE OVEN
GNB2/1-65	S/S TRAY GN2/1 H65 MM FOR 900 SERIE OVEN
8031920400	SWIVELLING CASTOR
8031920410	SWIVELLING CASTOR WITH BRAKE
8031920600	KIT 4 SWIVELLING CASTOR (2 WITH BRAKE)
8031900340	RIGHT SIDE FINISHING END PIECE FOR 900 LINE
8031900350	LEFT SIDE FINISHING END PIECE FOR 900 LINE
8031900211	SIDE SUPPORTING TIP TOP - RIGHT - 900 SERIE
8031900460	FIXED SIDE TOP - RIGHT - 900 SERIE
8031900221	SIDE SUPPORTING TIP TOP - LEFT - 900 SERIE
8031900470	FIXED SIDE TOP - LEFT - 900 SERIE
8031920330	FRONTAL KICK PLATE W=800
8031920380	SIDE KICK PLATE 900 SERIE

