

SERIE 700



Code CR0983769

Model 70GLVP/G400

LAVA ROCK GRILLS ON CUPBOARD

General Features

The 700 BARON line is made in compliance with strict European Standards in terms of safety, hygiene, reliability and respect for the environmental and is certified under international standards such as CE, GOST, AGA and others. Stainless steel with scotch-brite finish heightens the aesthetic appeal, and the technological and ergonomic innovation of this equipment. Thanks to great compositional flexibility, cook tops can be matched with oven bases and accessorised with hygienic finishes. Customised line-ups are possible by combining and fixing the equipment back to back, flushed sideways with perfectly sealed connections, or by creating "bridge" structures, offering top solutions to any chef.

Basic range features:

- 2" height adjustable stainless steel feet.
- removable control panel for access, moulded and shaped to avoid withholding dirt.
- recessed, tilted and ergonomic knobs.



CHARGRILLS

Lava stone grilles are recommended for grilling meats, fish and vegetables, which thanks to the heat from the radiation of the lava rock, give off that typical aroma of grill cooking.

Technical/functional characteristics

- 2 height adjustable stainless steel cooking grille.
- Removable drawer for fat collection.
- Heating obtained via high power stainless steel burners powered and controlled by valves for gradual power adjustment.
- Piezo ignition.
- Standard meat grille, cast iron fish/meat and fish grille available as accessories.
- Inert volcanic lava with radiant features compatible with food.

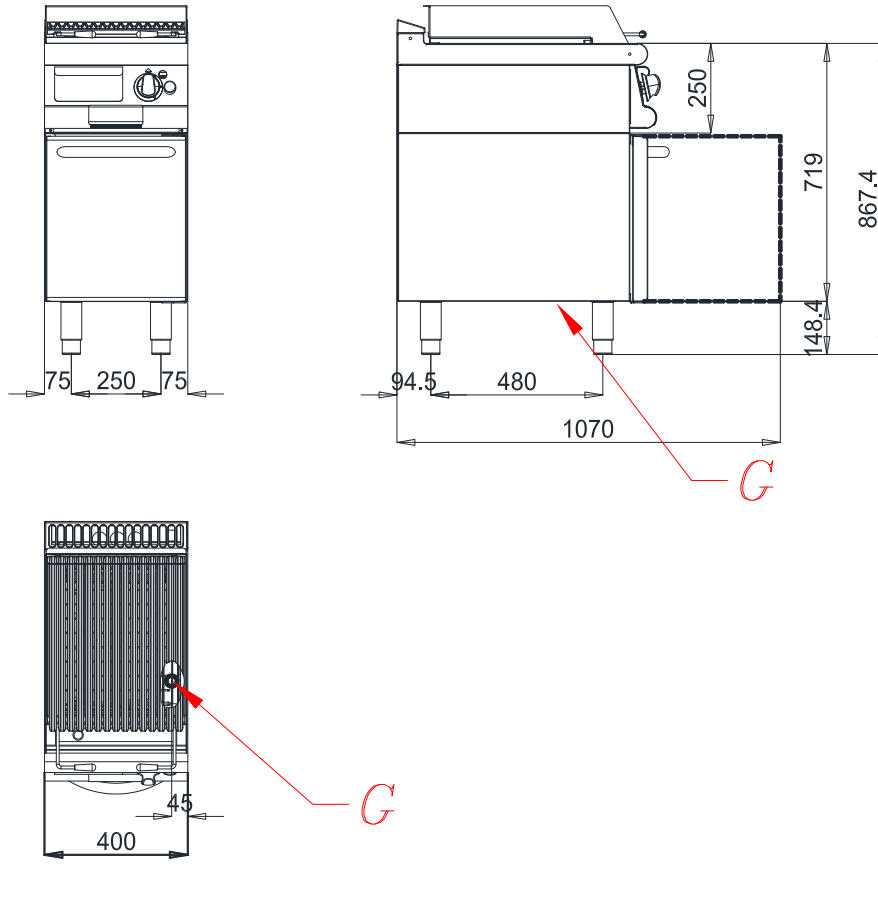
Technical Data

DIMENSIONS	
Width (mm)	400
Depth (mm)	700
Height (mm)	870
Gas connection (Ø)	1/2"
Electric connection (V/~/HZ)	
Cold water connection (Ø)	
Hot water connection (Ø)	

Cold soft water connection (Ø)	
Drain (Ø)	
Gas power (mm)	10
Electric power (mm)	
Plate dimensions (mm)	
Tank capacity (Lt)	
TANK DIMENSIONS	
Internal ovens dimension(mm)	

SERIE 700

Installation layout



G	GAS CONNECTION
E	ELECTRIC CONNECTION
CW	COLD WATER CONNECTION
HW	HOT WATER CONNECTION
SW	SOFT COLD WATER CONNECTION
D	DRAIN

ACCESSORIES

Code	Description
6A014900	LAVIC STONES PACK 4 KG
8031920430	REAR SPLASH-BACK (FALSE CHEMNEY) W=400
97432000	KIT 4 SWIVELLING CASTOR (2 WITH BRAKE)
97433000	KIT 4 SWIVELLING CASTOR INOX (2 WITH BRAKE)
8031900191	SIDE SUPPORTING TIP TOP - RIGHT - 700 SERIE
8031900440	FIXED SIDE TOP - RIGHT - 700 SERIE
8031900201	SIDE SUPPORTING TIP TOP - LEFT - 700 SERIE
8031900450	FIXED SIDE TOP - LEFT - 700 SERIE
8031900320	RIGHT SIDE FINISHING END PIECE FOR 700 LINE
8031900330	LEFT SIDE FINISHING END PIECE FOR 700 LINE
8031900360	FINISHING END PIECE FOR 700 LINE
97432000	KIT 4 SWIVELLING CASTOR (2 WITH BRAKE)
8031900360	FINISHING END PIECE FOR 700 LINE
8031900330	LEFT SIDE FINISHING END PIECE FOR 700 LINE
8031900320	RIGHT SIDE FINISHING END PIECE FOR 700 LINE
8031920430	REAR SPLASH-BACK (FALSE CHEMNEY) W=400
97433000	KIT 4 SWIVELLING CASTOR INOX (2 WITH BRAKE)
8031900191	SIDE SUPPORTING TIP TOP - RIGHT - 700 SERIE
8031900440	FIXED SIDE TOP - RIGHT - 700 SERIE
8031900201	SIDE SUPPORTING TIP TOP - LEFT - 700 SERIE
8031900450	FIXED SIDE TOP - LEFT - 700 SERIE
6A014900	LAVIC STONES PACK 4 KG
CR0980139	MEAT GRATE W400
CR0980139	MEAT GRATE W400
CR0980159	FISH GRATE W400
CR0980159	FISH GRATE W400
CR0980189	MEAT/FISH GRATE W400
CR0980189	MEAT/FISH GRATE W400

