

# SERIE 700

**Code** CR0981739

**Model** 70BM/E800

## ELECTRIC BAIN MARIE 2 X GN1/1 - TOP VERSION

### General Features

The 700 BARON line is made in compliance with strict European Standards in terms of safety, hygiene, reliability and respect for the environmental and is certified under international standards such as CE, GOST, AGA and others. Stainless steel with scotch-brite finish heightens the aesthetic appeal, and the technological and ergonomic innovation of this equipment. Thanks to great compositional flexibility, cook tops can be matched with oven bases and accessorised with hygienic finishes. Customised line-ups are possible by combining and fixing the equipment back to back, flushed sideways with perfectly sealed connections, or by creating "bridge" structures, offering top solutions to any chef.

Basic range features:

- 2" height adjustable stainless steel feet.
- removable control panel for access, moulded and shaped to avoid withholding dirt.
- recessed, tilted and ergonomic knobs.



### BAIN-MARIE

The chips scuttle keeps fried food warm and crispy and is normally combined with fryer.

### Technical/functional characteristics

- Suitable for preserving dishes below 100°C and for extremely delicate cooking.
- 80 module: tub dimensions 2xGN 1/1.
- Heated via armoured heating elements outside the tub.
- Adjustment thermostat.

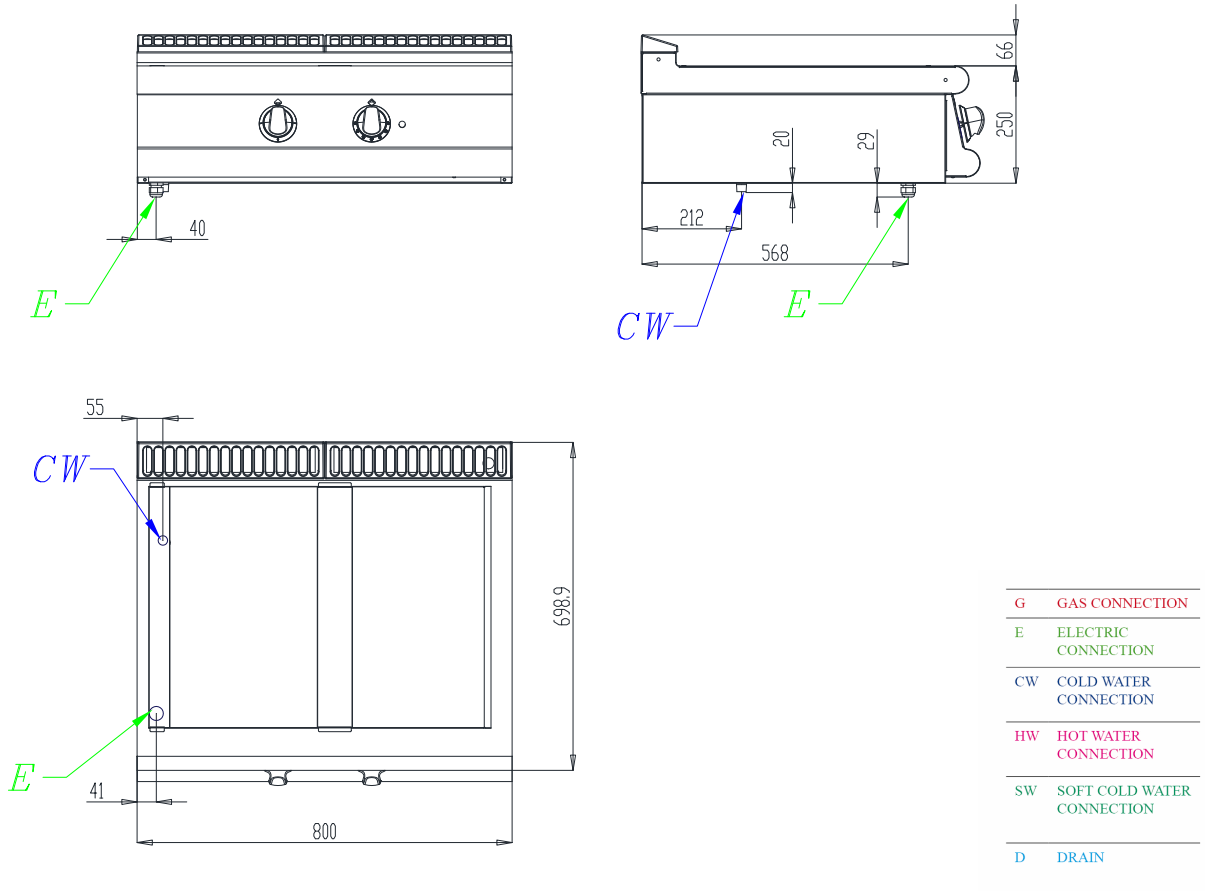
#### *Technical Data*

DIMENSIONS	
Width (mm)	800
Depth (mm)	700
Height (mm)	250
Gas connection (Ø)	
Electric connection (V/~ / HZ)	230
Cold water connection (Ø)	
Hot water connection (Ø)	

Cold soft water connection (Ø)	
Drain (Ø)	1/2"
Gas power (mm)	
Electric power (mm)	6
Plate dimensions (mm)	
Tank capacity (Lt)	
TANK DIMENSIONS	
Internal ovens dimension(mm)	

# SERIE 700

## Installation layout



G	GAS CONNECTION
E	ELECTRIC CONNECTION
CW	COLD WATER CONNECTION
HW	HOT WATER CONNECTION
SW	SOFT COLD WATER CONNECTION
D	DRAIN

## ACCESSORIES

Code	Description
CR0732350	PERFORATED BASE PLATE - MODUL 800
8029111500	CONTAINER + LID GN1/1
8031920440	REAR SPLASH-BACK (FALSE CHEMNEY) W=800
8031900191	SIDE SUPPORTING TIP TOP - RIGHT - 700 SERIE
8031900440	FIXED SIDE TOP - RIGHT - 700 SERIE
8031900201	SIDE SUPPORTING TIP TOP - LEFT - 700 SERIE
8031900450	FIXED SIDE TOP - LEFT - 700 SERIE
8031900320	RIGHT SIDE FINISHING END PIECE FOR 700 LINE
8031900330	LEFT SIDE FINISHING END PIECE FOR 700 LINE
8031900360	FINISHING END PIECE FOR 700 LINE
8031920110	PLATESHELF W=800