

SERIE 700



Code CR0981789

Model 70SP/E400

CHIPS SCUTTLE - TOP VERSION

General Features

The 700 BARON line is made in compliance with strict European Standards in terms of safety, hygiene, reliability and respect for the environmental and is certified under international standards such as CE, GOST, AGA and others. Stainless steel with scotch-brite finish heightens the aesthetic appeal, and the technological and ergonomic innovation of this equipment. Thanks to great compositional flexibility, cook tops can be matched with oven bases and accessorised with hygienic finishes. Customised line-ups are possible by combining and fixing the equipment back to back, flushed sideways with perfectly sealed connections, or by creating "bridge" structures, offering top solutions to any chef.

Basic range features:

- 2" height adjustable stainless steel feet.
- removable control panel for access, moulded and shaped to avoid withholding dirt.
- recessed, tilted and ergonomic knobs.



POTATO WARMER

Choosing a direct or indirect boiling pan depends on the desired cooking methods: direct heating pots are more suitable for boiling water and broths, whereas the indirect pots are recommended for cooking denser and jelly-type foods.

Technical/functional characteristics

- Greater resistance with infrared radiation.
- Lower resistance underneath the tub.
- Adjustable temperature from 30 to 90°C via thermostat.

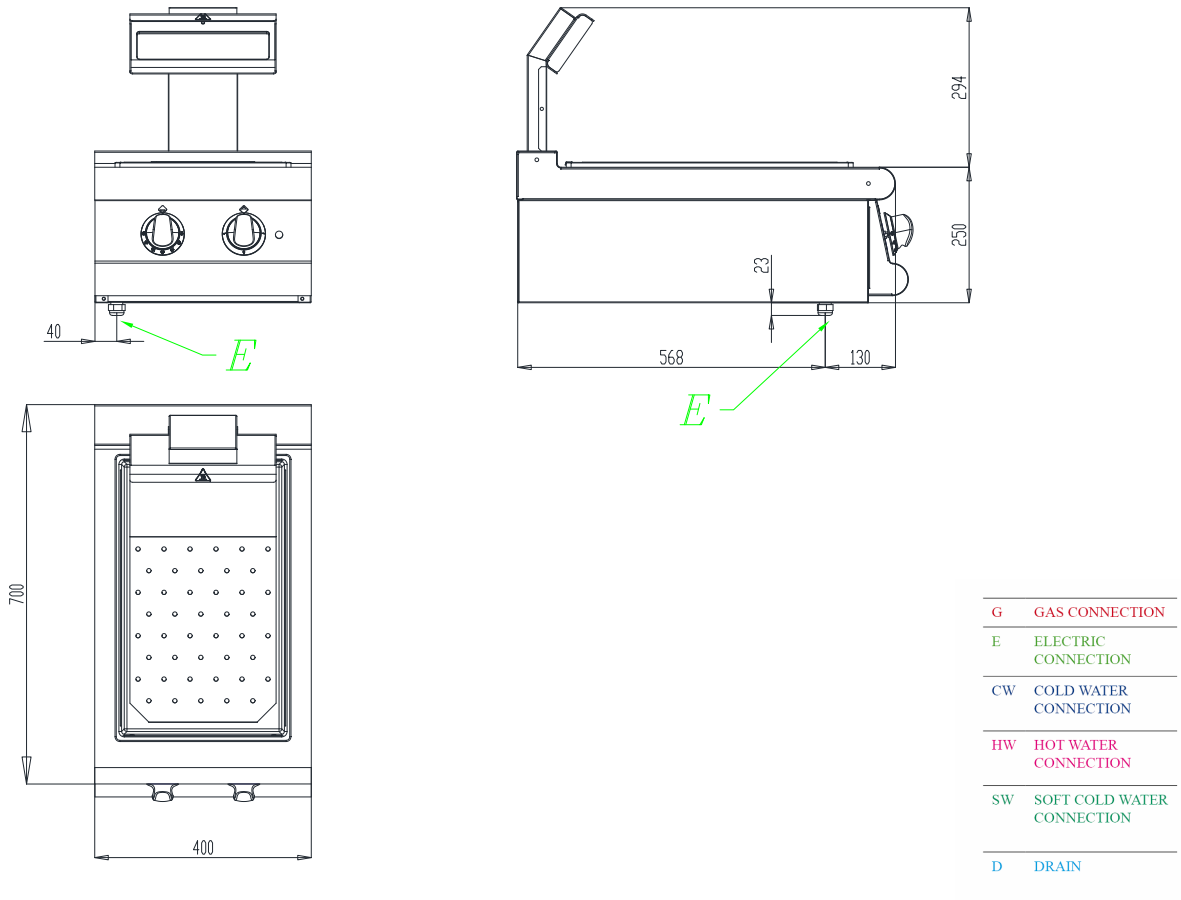
Technical Data

DIMENSIONS	
Width (mm)	400
Depth (mm)	700
Height (mm)	250
Gas connection (Ø)	
Electric connection (V/~ / HZ)	230
Cold water connection (Ø)	
Hot water connection (Ø)	

Cold soft water connection (Ø)	
Drain (Ø)	
Gas power (mm)	
Electric power (mm)	2
Plate dimensions (mm)	
Tank capacity (Lt)	
TANK DIMENSIONS	
Internal ovens dimension(mm)	

SERIE 700

Installation layout



ACCESSORIES

Code	Description
8031920430	REAR SPLASH-BACK (FALSE CHEMNEY) W=400
8031900191	SIDE SUPPORTING TIP TOP - RIGHT - 700 SERIE
8031900440	FIXED SIDE TOP - RIGHT - 700 SERIE
8031900201	SIDE SUPPORTING TIP TOP - LEFT - 700 SERIE
8031900450	FIXED SIDE TOP - LEFT - 700 SERIE
8031900320	RIGHT SIDE FINISHING END PIECE FOR 700 LINE
8031900330	LEFT SIDE FINISHING END PIECE FOR 700 LINE
8031900360	FINISHING END PIECE FOR 700 LINE