

SERIE 700



Code CR0991309 **Model** 70PCVP/WG610

WOK 1 BURNER GAS RANGE 10KW ON CUPBOARD

General Features

The 700 BARON line is made in compliance with strict European Standards in terms of safety, hygiene, reliability and respect for the environmental and is certified under international standards such as CE, GOST, AGA and others. Stainless steel with scotch-brite finish heightens the aesthetic appeal, and the technological and ergonomic innovation of this equipment. Thanks to great compositional flexibility, cook tops can be matched with oven bases and accessorised with hygienic finishes. Customised line-ups are possible by combining and fixing the equipment back to back, flushed sideways with perfectly sealed connections, or by creating "bridge" structures, offering top solutions to any chef.

Basic range features:

- 2" height adjustable stainless steel feet.
- removable control panel for access, moulded and shaped to avoid withholding dirt.
- recessed, tilted and ergonomic knobs.



WOK

Excellent cooking ranges are essential in every kitchen and are extremely versatile for any type of cooking. The electric ranges are available with independent cast iron plates, glass-ceramic top or induction top.

Technical/functional characteristics

- Outer casing and feet made of stainless steel.
- Worktops with a 20/10 thickness with 550x520 mm or 950x520 mm for the 700 range.
- Right rear drain with a 22 mm diameter, configured for earth connection.
- With grease collection draw (approx. 2/3 lt capacity).

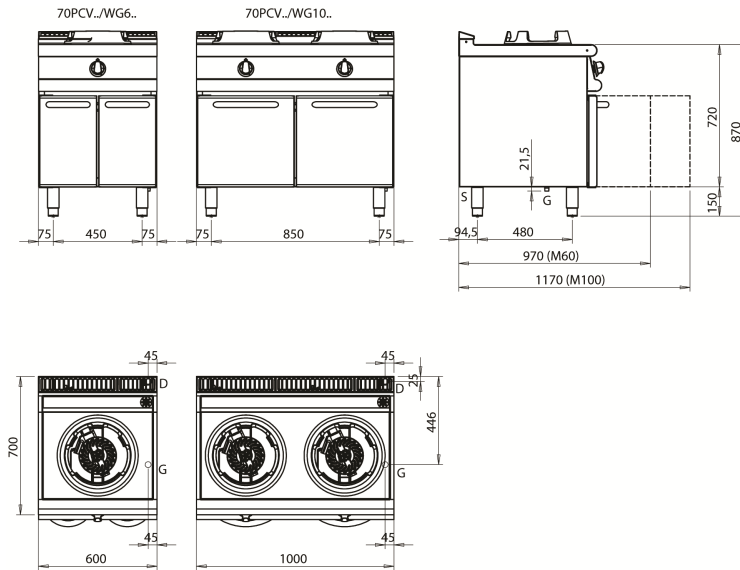
Technical Data

DIMENSIONS	
Width (mm)	600
Depth (mm)	700
Height (mm)	870
Gas connection (Ø)	1/2"
Electric connection (V/~/HZ)	
Cold water connection (Ø)	
Hot water connection (Ø)	

Cold soft water connection (Ø)	
Drain (Ø)	
Gas power (mm)	10
Electric power (mm)	
Plate dimensions (mm)	
Tank capacity (Lt)	
TANK DIMENSIONS	
Internal ovens dimension(mm)	

SERIE 700

Installation layout



G	GAS CONNECTION
E	ELECTRIC CONNECTION
CW	COLD WATER CONNECTION
HW	HOT WATER CONNECTION
SW	SOFT COLD WATER CONNECTION
D	DRAIN

ACCESSORIES

Code	Description
0592780	FRONTAL KICK PLATE W=600
CR0985539	SIDE KICK PLATE 700 SERIE
8031900191	SIDE SUPPORTING TIP TOP - RIGHT - 700 SERIE
8031900440	FIXED SIDE TOP - RIGHT - 700 SERIE
8031900201	SIDE SUPPORTING TIP TOP - LEFT - 700 SERIE
8031900450	FIXED SIDE TOP - LEFT - 700 SERIE
8031920600	KIT 4 SWIVELLING CASTOR (2 WITH BRAKE)
592830	PLINTH JUNCTION
8031920490	REAR SPLASH-BACK (FALSE CHEMNEY) W=600
97432000	KIT 4 SWIVELLING CASTOR (2 WITH BRAKE)
97433000	KIT 4 SWIVELLING CASTOR INOX (2 WITH BRAKE)
8031900320	RIGHT SIDE FINISHING END PIECE FOR 700 LINE
8031900330	LEFT SIDE FINISHING END PIECE FOR 700 LINE