

COMPACT UNDERCOUNTER UTENSIL WASHER



TECHNICAL FEATURES

Dimensions (WxDxH/H)

Basket sizes



Useful washing height



Output p/h - baskets

Cycle

Water quantity per cycle

Wash pump

Boiler heating element

Tank heating element

Total power

Boiler capacity

Tank capacity

Rinse water pressure

Temperature gauges

Total weight

Voltage

Inox baskets

Stainless steel rack for trays

AU-S 55.40

648x660x916 mm

550x550

400 mm

30 - 15 - 10

2' - 4' - 6'

3 lt.

800 W

6000 W

4500 W

6.8 kW

7 lt.

35 lt.

200÷500 kPa

2

91 kg

415 V / 50 Hz / 3 phase / 20 AMPS

1

1

GENERAL SPECIFICATIONS

Double skinned insulated body that provides thermal insulation with a silent operation

Preformed bottom of wash tank with rounded corners

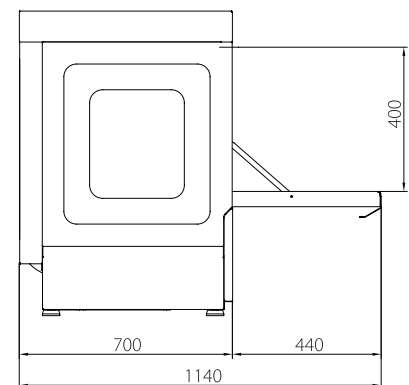
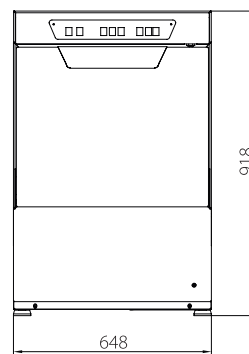
Automatic filling

Door safety interlock system

Hot rinse cycle

Tank and boiler adjustable thermostat

Electromechanical controls



Stainless steel Inox basket



Stainless steel rack for trays