

PASS-THROUGH HOOD-TYPE DISH WASHER



TECHNICAL FEATURES

Dimensions (WxDxH/H)

Basket sizes



Useful washing height



Washing / rinsing arms



Output p/h - baskets

Cycle

Water quantity per cycle

Wash pump

Boiler heating element

Tank heating element

Total power

Boiler capacity

Tank capacity

Rinse water pressure

Total weight

Voltage

Plate rack - 500x500

Glass / cup rack

Cutlery container

AH 0800

654x792x1410/1930 mm

500x500

410 mm

2

60 - 30 - 20

60" - 120" - 180"

3 lt.

750 W

6000 W

2800 W

6.8 kW

8 lt.

30 lt.

200÷500 kPa

107 kg

415 V / 50 Hz / 3 phase / 20 AMPS

2

1

1

GENERAL SPECIFICATIONS

Single skinned hood, pass-through & corner dishwasher

Automatic lift to switch on

Automatic filling

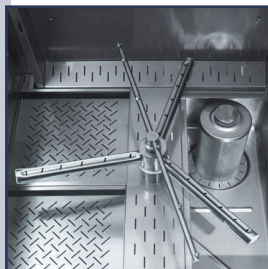
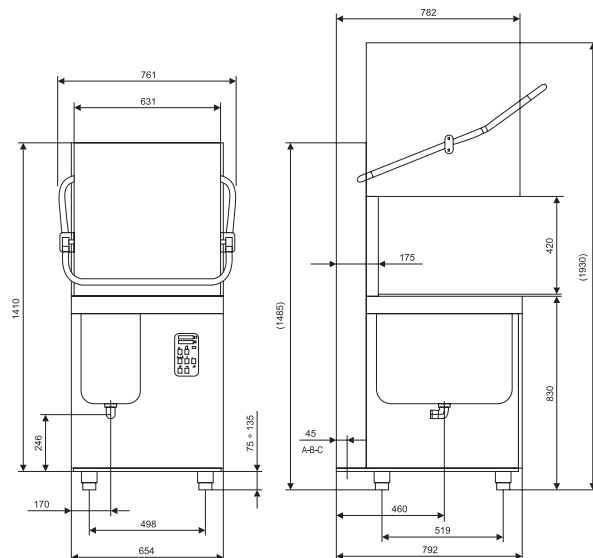
Built in adjustable rinse aid and detergent dispenser

Magnetic hood microswitch

Hot rinse cycle

Tank and boiler adjustable thermostat

Electromechanical controls



Washing / Rinsing arms



Plate rack - 500 x 500

Exclusively Distributed by
 Scots Ice Australia Foodservice Equipment

Unit 5 / 175-179 James Ruse Drive

Rosehill NSW 2142

t: (02) 9684 5666 | (02) 9637 7099

f: (02) 9638 5277 | (02) 9637 7944

e: info@scotsice.com.au

w: www.scotsice.com.au



Queensland
 0414 817 619

Northern NSW
 0410 841 491

National
 0458 222 300

Southern NSW
 0411 089 140

Victoria
 0415 735 273