

ICEMAKERS

COCO

HOLLOW CUBE

H.O.R.E.C.A.



SCOTS ICE AUSTRALIA
foodservice equipment

ICEMAKERS



COCO
HOLLOW CUBE

HO.RE.CA.



ICEMAKERS
COCO
HOLLOW CUBE

K 25 F-A



Max. daily production
Up to 25 kg

Self contained storage
10 kg capacity

Dimensions (mm)
400 W x 545 D x 690 mm/810 H

K 36 F-A



Max. daily production
Up to 37 kg

Self contained storage
12 kg capacity

Dimensions (mm)
450 W x 545 D x 690/840 H

K 45 F-A



Max. daily production
Up to 45 kg

Self contained storage
16 kg capacity

Dimensions (mm)
500 W x 600 D x 693/813 H

K 50 F-A



Max. daily production
Up to 50 kg

Self contained storage
21 kg capacity

Dimensions (mm)
500 W x 585 D x 876/960 H

K 62 F-A



Max. daily production
Up to 60 kg

Self contained storage
28 kg capacity

Dimensions (mm)
600 W x 585 D x 876/960 H

K 80 F-A



Max. daily production
Up to 75 kg

Self contained storage
36 kg capacity

Dimensions (mm)
700 W x 585 D x 876/960 H

K 95 F-A



Max. daily production
Up to 92 kg

Self contained storage
40 kg capacity

Dimensions (mm)
800 W x 585 D x 876/956 H

K 150 F-A



Max. daily production
Up to 150 kg

Self contained storage
67 kg capacity

Dimensions (mm)
920 W x 650 D x 1200/1280 H



ICEMAKERS

COCO

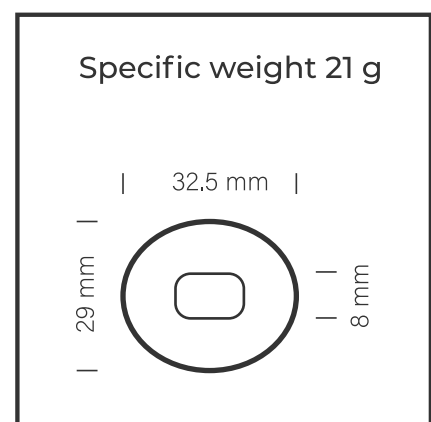
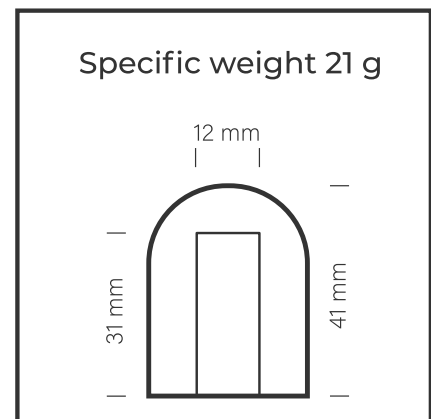
HOLLOW CUBE

A hollow ice cube, with wide surface for fast beverage cooling.

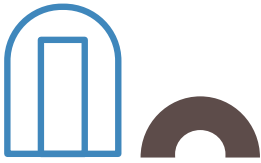
With a simple and essential shape, it grants an extreme flexibility of use.

Soft drinks, cocktails, café and / or other preparations that needs a rapid cooling, will identify Coco series hollow ice cube as the perfect ally.

The paddle system is the sole technology suitable to grant the correct machines functioning, also with hard waters full of scale and impurities. Coco series is the most versatile, for any type of installation.

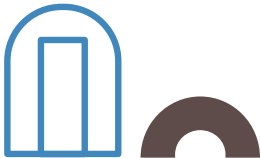


ACCESSORIES & OPTIONALS



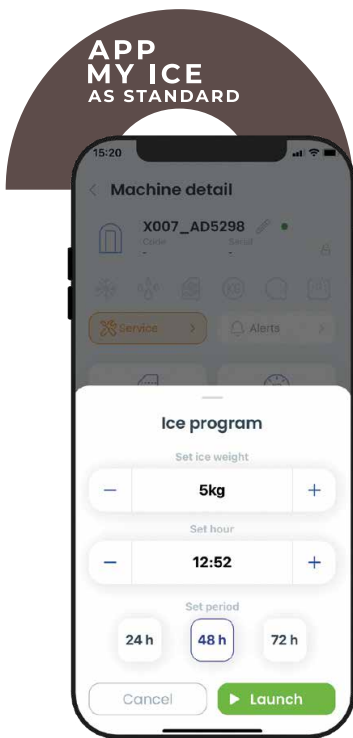
Drain-pump Kit (OPTIONAL)

External drain pump kit, compatible with all icemakers of the range.



Cleaning Kit (OPTIONAL)

Cleaning kit including a plastic container for the correct dosage of citric acid and a citric acid package of 1 kg.



MY ICE APP (STANDARD)

The My Ice app grants the possibility to have full control of each single machine, via Bluetooth/ Wi-Fi.

Icematic is proud to introduce the patented system for ice programmable production with this innovative app.

Through My Ice app, you can start your production cycles for a very defined and programmed quantity of ice, selecting the time when you want it available for use.

These pluses are a true added value to optimize production, while minimizing wastes and providing always freshly- made ice, avoiding the risk of bacterial proliferation.

Through My Ice app, you can start your production cycles for a very defined and programmed quantity of ice, selecting the time when you want it available for use.

Additionally, it is possible to remotely control the current status of the machine, and adjust the storage capacity, with no need to touch or open the machine.

Managing your ice is a matter of touch on your smartphone, it has never been easier.



WORKING WITH AUSTRALIA'S FINEST DEALERSHIPS AND
DESIGNERS AND OFFERING THE BEST EQUIPMENT TO SUIT
YOUR NEEDS, WE ARE AUSTRALIA'S CHOICE FOR INNOVATIVE
FOOD SERVICE EQUIPMENT SOLUTIONS

CUSTOMER SERVICE

Free Call: 1800 222 460 (*Nation wide*)
Phone: (02) 9684 5666
Email: info@scotsice.com.au

SALES

National Accounts
Phone: 0477 071 716

New South Wales Sales (NORTH)
Phone: 0411 089 140

New South Wales Sales (SOUTH)
Phone: 0414 817 619

Victoria & Tasmania
Phone: 0415 735 273

SERVICE & SPARE PARTS

Free Call: 1800 222 460 (*Nation wide*)
Phone: (02) 9684 5666
Email: service@scotsice.com.au

SCOTS ICE AUSTRALIA
foodservice equipment

ABN: 54 080 084 260

Unit 5 / 175-179 James Ruse Drive
Rosehill NSW 2142
www.scotsice.com.au

an Australian Ali Group Partner



The Spirit of Excellence