



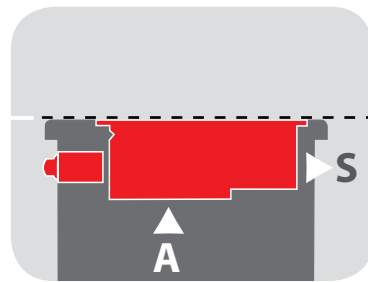
baron



700 DROP-IN

# 700 DROP-IN LINE

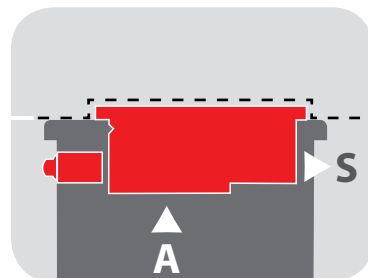
A touch of style in the kitchen with two installation options



S=Exhausted air vent  
A = Suction / Cooling

## Lined up installation

A stylish, modern solution. The rim of the unit is lined up with the worktop that is there are no structural obstacles. This perfect continuity is more than a beautiful design but also facilitates standard cleaning operations and means that the operator is free to slide pans as s/he wishes.



S=Exhausted air vent  
A = Suction / Cooling

## Top-mount installation

Quick and easy to achieve.  
Installation is easy as the modules simply rest on the worktop. This fast and convenient type of fitting is recommended for simple projects where quick installation is required.

# MORE SPACE AND MAXIMUM HYGIENE

A complete and versatile inset range

Model	Dimensions	Gas power	Electric power
	LxPxH cm	kW	kW

## Gas ranges



**DI7PCG40**

40x62,5x25

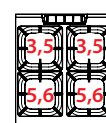
9,1



**DI7PCG80**

80x62,5x25

18,2



## Electric induction ranges



**DI7PCIND400**

40x62,5x25

7  
Ac400V



2 x Ø 23

**DI7PCWI400**

40x62,5x25

5  
Ac400V



1 x Ø 23

## Electric bain maries



**DI7BME400**

40x62,5x25

1,8  
Ac230V



1 x GN 1/1

## Electric griddle chrome plates



**DI7FTE405**

40x62,5x25

5,4  
Ac400V



**DI7FTE415**

40x62,5x25

5,4  
Ac400V



**DI7FTE605**

60x62,5x25

7,5  
Ac400V



**DI7FTE615**

60x62,5x25

7,5  
Ac400V



**DI7FTE805**

80x62,5x25

10,8  
Ac400V



**DI7FTE815**

80x62,5x25

10,8  
Ac400V



**DI7FTE825**

80x62,5x25

10,8  
Ac400V



Compatible with every type of design, including open-plan, the Baron Drop-in line makes the most of available space. It also offers a wide range of bespoke inset solutions.



Model	Dimensions	Gas power	Electric power	
	LxPxH cm	kW	kW	

### Electric direct grill



<b>DI7CWE400</b>	40x62,5x25		6 Ac400V	⚡
------------------	------------	--	-------------	---

<b>DI7CWE800</b>	80x62,5x25		12 Ac400V	⚡
------------------	------------	--	--------------	---

### Electric pasta-cookers



<b>DI7CPE428</b>	40x62,5x56		5,6 Ac400V	⚡	1 tank 28 Lt
------------------	------------	--	---------------	---	-----------------

<b>DI7CPE642</b>	60x62,5x56		9 Ac400V	⚡	1 tank 42 Lt transverse
------------------	------------	--	-------------	---	-------------------------------

### Electric deep fat fryers



<b>DI7FRE410</b>	40x62,5x34		9 Ac400V	⚡	1 tank 10 Lt
------------------	------------	--	-------------	---	-----------------

<b>DI7FRE415</b>	40x62,5x49,8		12 Ac400V	⚡	1 tank 15 Lt
------------------	--------------	--	--------------	---	-----------------

### Electric multi cooking bratt pan



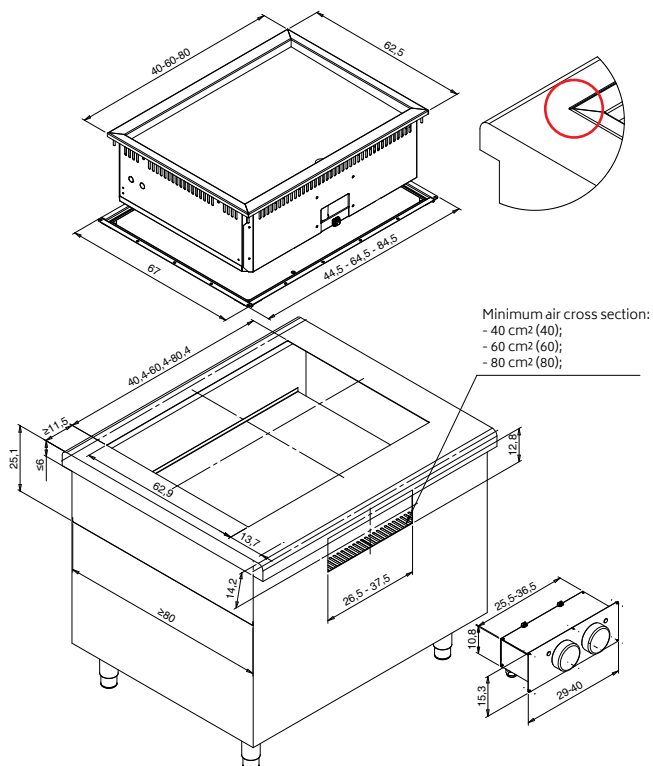
<b>DI7BRF400</b>	40x62,5x25		4,05 Ac400V	⚡	1 cooking area
------------------	------------	--	----------------	---	----------------

<b>DI7BRF600</b>	60x62,5x25		8,1 Ac400V	⚡	2 cooking areas
					1 tank 21 Lt dim. cm 52x48x9 h

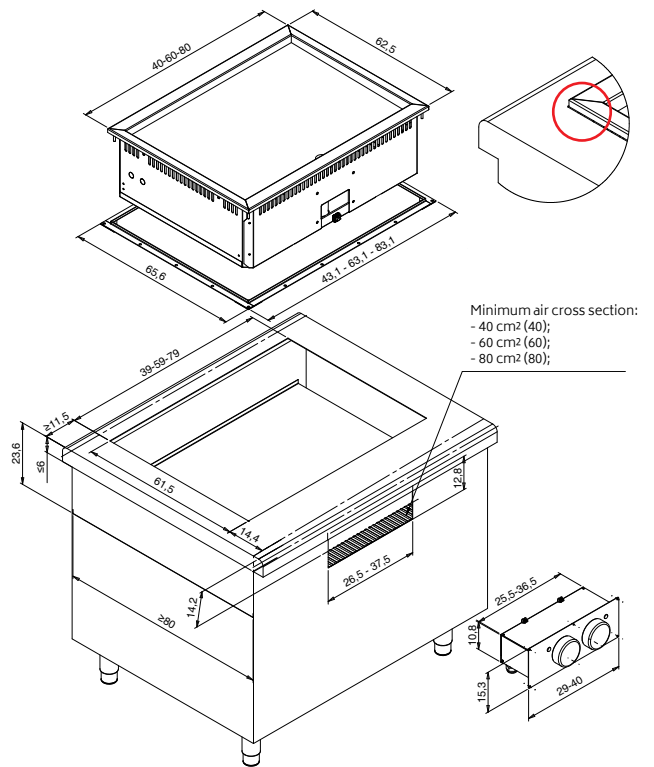
# IDEAL FOR ANY STYLE



## LINED UP INSTALLATION



## TOP-MOUNT INSTALLATION



Dimensions in cm

BARON Ali S.p.a.  
Via del Boscon, 424  
32100 Belluno - Italy  
Tel. +39 0437 855411  
Fax +39 0437 855444  
e-mail: [info@baronprofessional.com](mailto:info@baronprofessional.com)  
[www.baronprofessional.com](http://www.baronprofessional.com)



Sistema Qualità Certificato ISO 9001: 2008

an Ali Group Company



The Spirit of Excellence

