

SCOTSMAN

SPEEDY-FILL ICE BAGGER



B G S 1 0

MAXIMIZE YOUR PROFITS FROM BAGGED ICE

- Saves time...bag-a-bag in seconds.
- Forget the mess...ice is scooped into bags without spilling.
- Features easy to use bag sealer.
- Simple design...BGS10 hooks over any ice bin opening. Can be attached to either side for right or left hand operation.

KIT INCLUDES

- Speedy-Fill Ice Bagger
- Tape Dispenser (Sealer)
- 1 Roll of Tape, 180 ft. (Will seal approx. 850 bags of ice)
- 1 Wicket of Ice Bags (250)
- Bracket to hook bagger onto bin
- 1 Ice Scoop

To order extra bags – Order KBAG (By Case Only) 4 wickets of 250 bags = 1000 bags

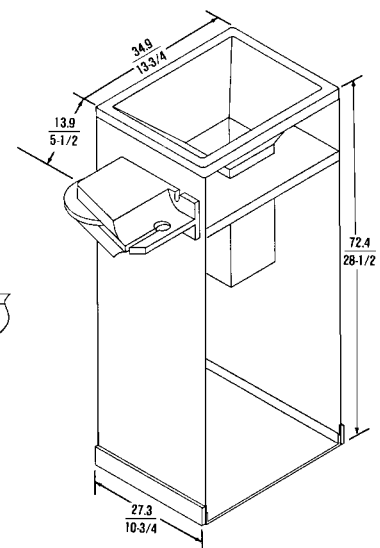
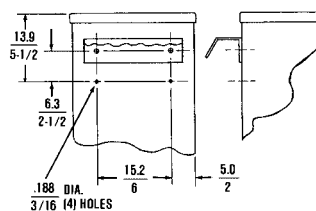
WARRANTY *See your dealer for complete warranty details.*

- 2 years factory labor.
- 2 years on all parts.

Specifications:

- Height: 28.5"
- Width: 19.25"
- Depth: 10.75"

CENTIMETERS
INCHES



Consult Your Local SCOTSMAN Representative At:

YOU'LL VALUE THE DIFFERENCE™

775 Corporate Woods Parkway • Vernon Hills, IL 60061 • 1-800-SCOTSMAN • (847) 913-9844
Visit our website at: www.scotsman-ice.com • E-mail: customer.service@scotsman-ice.com

Scotsman®
A WELBILT® COMPANY