

# Scots Ice Australia

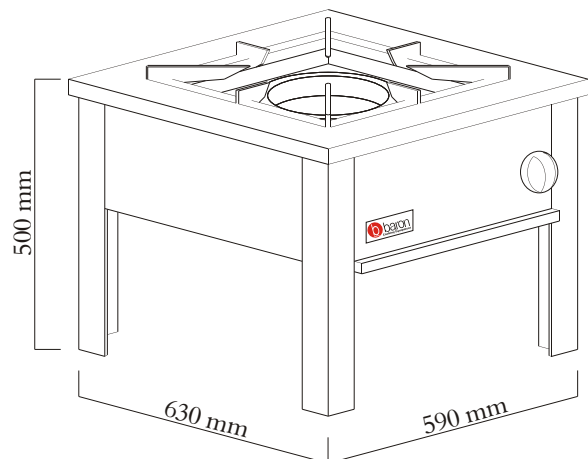
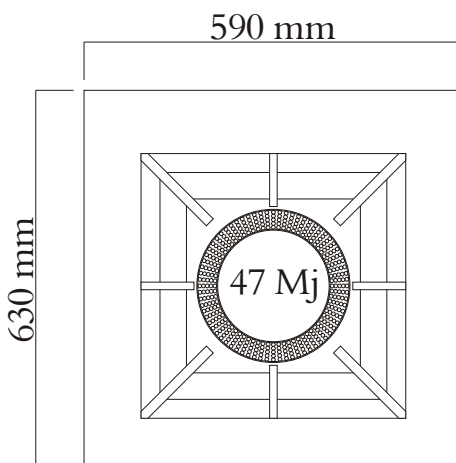
FOOD SERVICE EQUIPMENT



## FOGV 50 - Floor model, large stockpot burner



- Floor model, large stockpot burner
- 47 Mj ring burners
- Flame failure device
- 590 mm Width
- 630 mm Depth
- 500 mm Height



ABN 54 080 084 260

8/13 Berry Street, CLYDE NSW 2142

Tel: (02) 9637 7099 Fax: (02) 9637 7944 Email: [info@scotsice.com.au](mailto:info@scotsice.com.au)

[www.scotsice.com.au](http://www.scotsice.com.au)