

Bain-marie

The 'Settecento Baron' series

Exceptional levels of reliability, hygiene and safety, all compliant with the strictest European regulations. Modern technology combined with the strength of AISI 304 18/10 stainless steel, with a Scotch Brite finish. Sober and elegant lines are the result of aesthetic research focusing on modern criteria in terms of ergonomics and functionality. This is the 'Settecento Baron' series: a professional kitchen, just 70 centimetres deep, that can be manufactured according to your exact requirements, without making any sacrifices and without any limits in terms of its composition. All of this plus the **CE** mark. Equipment designed and built to guarantee total safety as well as perfect hygiene with the utmost in energy efficiency.



Technical/functional characteristics

This range includes 6 models: 2 top, 2 on unit and 2 on unit with door.

- Cooking surface entirely pressed and cut from a single thick sheet of AISI 304 18/10 steel;
- 18/10 stainless steel reinforced elements positioned outside of the basin
- Thermostat temperature control in the basin of between 30°C and 90°C
- "Equipment under tension" warning light
- Warning light indicating that the set temperature has been reached

- Control knob power released with progressive rotation
- Switch for filling basin
- Various connection possibilities
- Ergonomic fitted and inclined knobs
- Removable instrument panel for perfect access, pressed and shaped to avoid the accumulation of dirt
- Stainless steel basin with rounded edges and overflow unit, suitable for holding small Gastronom 1/1 containers and relative sub-

multiples

- Safety thermostat to prevent overheating of the basin.

SAFETY, HYGIENE, QUALITY

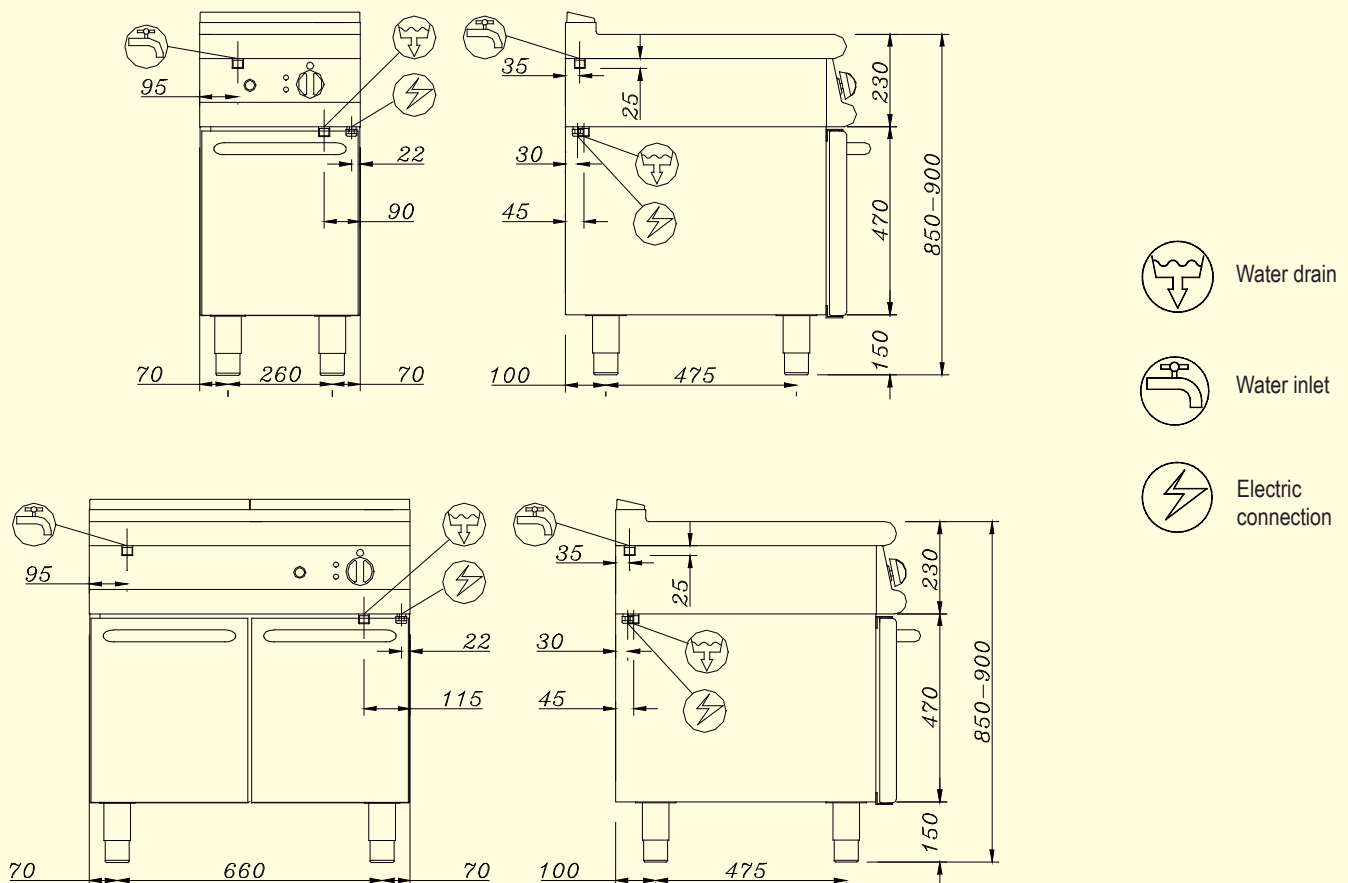
Technical Data

	7BM/E410	7BM/E800	7BMV/E410 - 7BMVP/E410	7BMV/E810 - 7BMVP/E810
External dimensions	400 x 700 x 230	800 x 700 x 230	400 x 700 x 850	800 x 700 x 850
Dimensions of the basin	340 x 510 x 160	700 x 510 x 160	340 x 510 x 160	700 x 510 x 160
Total power (kW)	2,2	4,4	2,2	4,4
Power supply tension 50-60 Hz (V)	230 / 1N	400 / 3N	230 / 1N	400 / 3N
Fittings	Perforated false bottom			
Accessories available upon request				
Mini basin + lid GN1/1				
Mini basin + lid GN1/3				
False bottom 400				
False bottom 800				

For further information on the special features of Bain-marie from the **baron** Settecento series, please contact the local dealer.



Installation layouts



I - 32030 - Bribano di Sedico (BL) Italy - via Miari, 20

Tel. 0437 8554 - Fax 0437 855444

E-mail: info@baronprofessional.com

Website: www.baronprofessional.com