

SCWT 14 - R 22

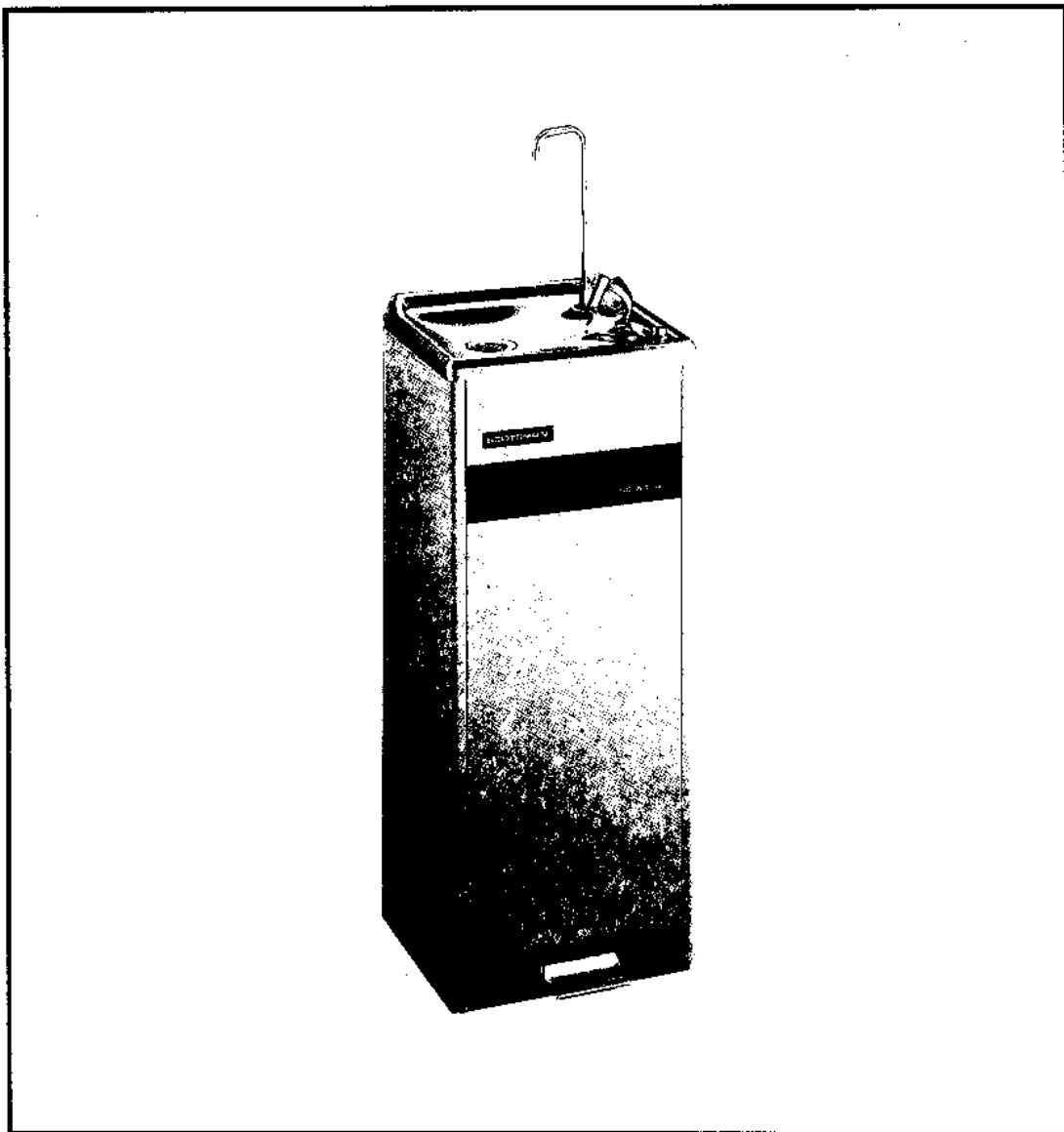
Water coolers

Spare parts list

Catalogo ricambi

Catalogues pièces détachées

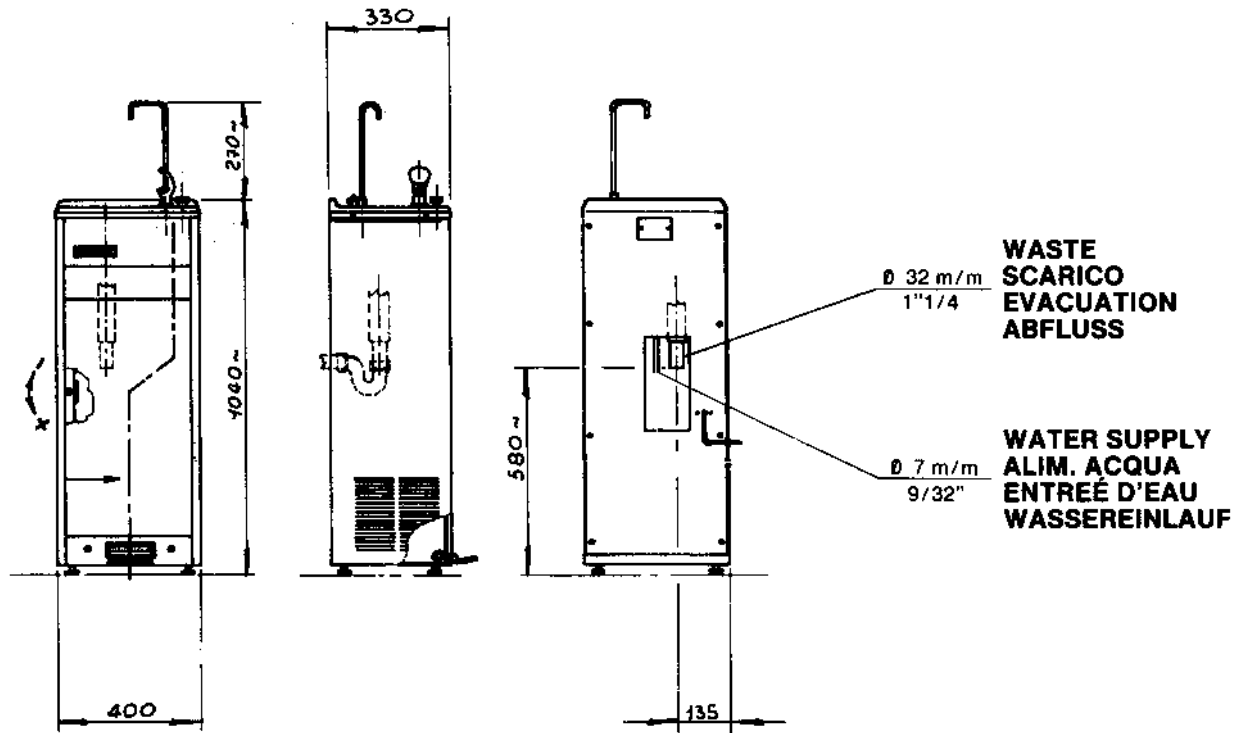
Ersatzteilkatalog



SCOTSMAN®

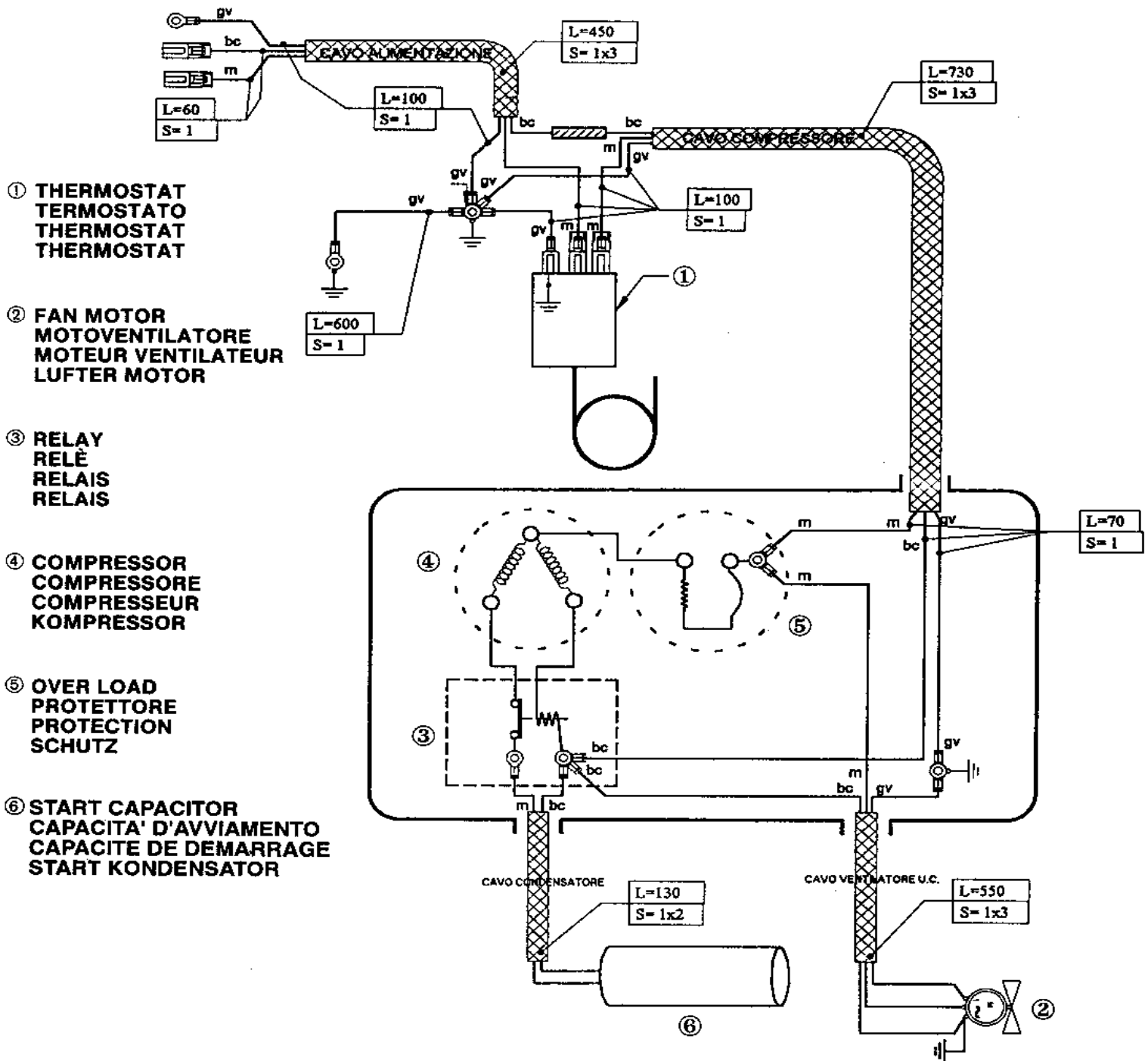
ICE SYSTEMS

MACHINE SPECIFICATIONS - SPECIFICHE TECNICHE CARACTERISTIQUES TECHNIQUES - TECHNISCHE ANGABEN

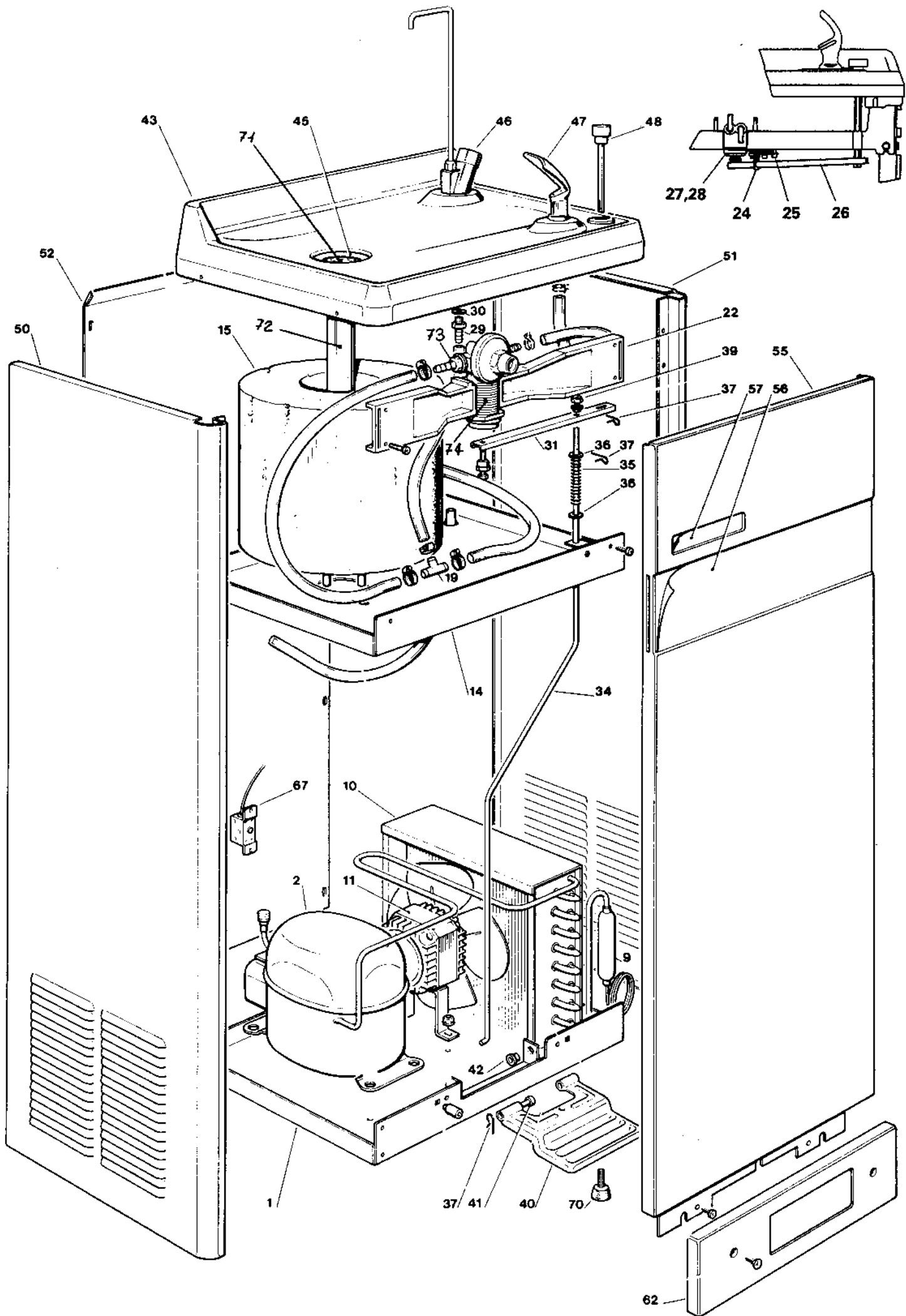


MODEL MODELLO TYPE MODELL	BASIC ELECTR. ALIMEN. ELETTRICA NAT. DU COURANT NORM. NETZSPANNUNG	RATED WATER SUPPLIED AT 10°C ACQUA EROGATA A 10°C DEBIT D'EAU SORTIE A 10°C WASSERZUFLUSS MIT 10°C		COND. UNIT CONDENSAZIONE CONDENSATION KONDENSATION	FINISH FINITURA FINITION AUSFÜHRUNG	COMPR. HP CV COMPR. CH COMPR. KOMPR. PS	AMPS AMPER AMP AMPÈRE	WATTS WATT WATT WATT	N. OF WIRES NR. DI CAVI EL. N. RE DES CONDUCT KABELANZAHL
		LITERS/HR	GALL./HR						
SCWT14 AS	220-240/50/1	53	14	AIR	STAIN. STEEL	1/5	1,8	300	3x1m/m ²

WIRING DIAGRAM - SCHEMA ELETTRICO SCHEMA ELECTRIQUE - VERDRÄHTUNGSPLAN



M	BROWN	MARRONE	MARRON	BRAUN
GV	YELLOW-GREEN	GIALLO-VERDE	JAUNE-VERT	GELB-GRÜN
BC	WHITE	BIANCO	BLANC	WEISS



ITEM NO POS NO REP. NO REF. NO	PART NO CODICE REFERENCE STUECK NR.	DESCRIPTION	DESCRIZIONE	DESIGNATION	BESCHREIBUNG
1	CM81565907	UNIT BASE	BASAMENTO	CHASSIS	CHASSIS
2	670097.01 620057.32 620058.54 620167.29	COMPRESSOR ASSY RELAY PROTECTOR START CAPACITOR	ASS. COMPRESSORE RELÉ PROTEITTORE CAPACITA' D'AVVIAMENTO	ENS. COMPRESSEUR RELAIS PROTECTEUR CONDENSATEUR DE DEMARRAGE	KOMPRESSOR RELAIS SCHUTZ START KONDENSATOR
9	CM10106332	DRIER	FILTRO DEUMIDIFICATORE	FILTRE DESHYDRATEUR	TROCKNER
10	CM19177046	CONDENSER	CONDENSATORE	CONDENSEUR	KONDENSATOR
11	CM18562496	FAN MOTOR ASSY	ASS. MOTOVENTILATORE	ENS. MOTOVENTILATEUR	LUFTERMOTOR
14	CM81565904	EVAPORATOR BRACKET	SUPPORTO EVAPORATORE	SUPPORT EVAPORATEUR	VERDAMPF. LAGER
15	CM19270028	EVAPORATOR	EVAPORATORE	EVAPORATEUR	VERDAMPFER
19	CM19612504	TEE FITTING	RACCORDO A 'T'	RACCORD A 'T'	'T' STUCK
22	HT 14050	PLASTIC BRACKET	SUPPORTO IN PLASTICA	SUPPORT PLASTIQUE	PLASTIC TRÄGER
24	CM19690190	LEVER	LEVA	LEVIER	HEBEL
25	CM19680779	BRACKET	SUPPORTO	SUPPORT	TRÄGER
26	CM19354007	VALVE LEVER	LEVA AZION. VALVOLA	LEVIER ACTIONN. VANNE	VENTIL-HEBEL
27	CM19200096	VALVE SEAT	SEDE VALVOLA	SIEGE VANNE	VENTIL-SITZ
28	CM19637023	WATER REGULATING VALVE	VALVOLA REG. ACQUA	VANNE REG. EAU	WASSERREGLER VENTIL
29	CM25600222	HOSE BARB	PORTAGOMMA	RACCORD MÂLE	ANSCGLUSS
30	CM19349820	GASKET	GUARNIZIONE	JOINT	DICHTUNG
31	CM26109521	VALVE LEVER	LEVA VALVOLA	LEVIER DE VANNE	VENTIL-HEBEL
34	CM26000100	PUSH ROD	ASTA PEDALE	TIGE	PEDALSTIFT
35	CM26111400	SPRING	MOLLA	RESSORT	FEDER
36	CM12523040	WASHER	RONDELLA	RONDELLE	RING
37	CM26111401	CLIP	MOLLETTA	CLIP	KLAMMER
39	CM12210000	NUT	DADO	BOULON	MUTTER
40	CM19490010	FOOT PEDAL	PEDALE	PEDALE	FUSSPEDAL
41	CM26114206	PIN	PERNO	PIVOT	STIFT
42	CM33497510	BUSHING	BUSSOLA	MANCHON	BUCHSE
43	HT 14037	RECEPTOR	LAVELLO	CUVETTE SUPER INOX	SPÜLBECKEN
45	CM19490002	GASKET	GUARNIZIONE	JOINT	DICHTUNG
46	CM19650153	GLASS FILLER	RIEMPIBICCHIERE	COL DE CYGNE	S-BOGEN
47	CM19680770 HT 03227	PROJECTOR GASKET	RUBINETTO A ZAMPILLO GUARNIZIONE	RINCHE-BOUCHE JOINT	PROJEKTOR DICHTUNG
48	CM19090402 & CM19681001	PUSH BUTTON ASSY	ASS. BOTTONE EROGAZIONE	ENS. BOUTON POUSSOIR	ABGABERKNOPF
50	CM26114154	LEFT PANEL S.S.	PANNELLO SX INOX	PANNEAU GAUCHE INOX	LINKSWAND S.S.
51	CM26114153	RIGHT PANEL S.S.	PANNELLO DX INOX	PANNEAU DROITE INOX	RECHTSWAND S.S.
52	CM26114151	REAR PANEL	PANNELLO POSTERIORE	PANNEAU ARRIERE	RUECKWAND
55	CM26114152	FRONT PANEL S.S.	PANNELLO FRONTALE INOX	PANNEAU AVANT INOX	VORDERWAND S.S.
56	CM19262115	LABEL, SCWT 14	ETICHETTA SCWT 14	ADHESIF SCWT 14	ZETTEL SCWT 14
57	CM19262106	SCOTSMAN LABEL	ETICHETTA SCOTSMAN	ADHESIF SCOTSMAN	SCOTSMAN ZETTEL
62	CM26111032	FRONT PLATE	MASCHERINA	PANNEAU PLASTIQUE	PLASTIKWAND
67	CM19797007	TEMPERATURE CONTROL	TERMOSTATO	THERMOSTAT	THERMOSTAT
70	CM81502119	LEG	PIEDINO	PIEDS DE REGLAGE	REGELFUSS
71	HT 02705 HT 14303	STRAINER PLATE DRAIN PLUG	FILTRO PILETTA DI SCARICO	GRILLE D'ECOULEMENT BOUCHON	ABFLUSSFILTER ABFLUSS
72	HT 15453	WASTE LINE	TUBO SCARICO	EVACUATION	ABFLUSS
73	CM25600223	HOSE BARB	PORTAGOMMA	RACCORD MÂLE	ANSCHLUSS
74	CM19637022	STREAM REGULATOR ASSY	ASS. REGOLATORE ACQUA	ENS. REGULATEUR EAU	WASSERREGLER